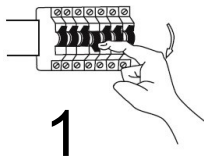
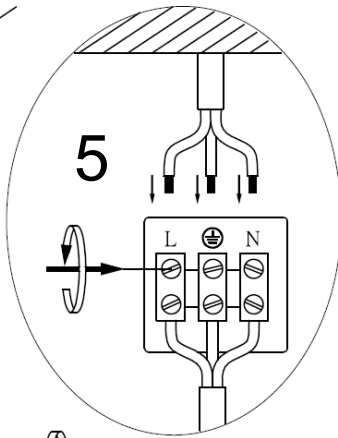
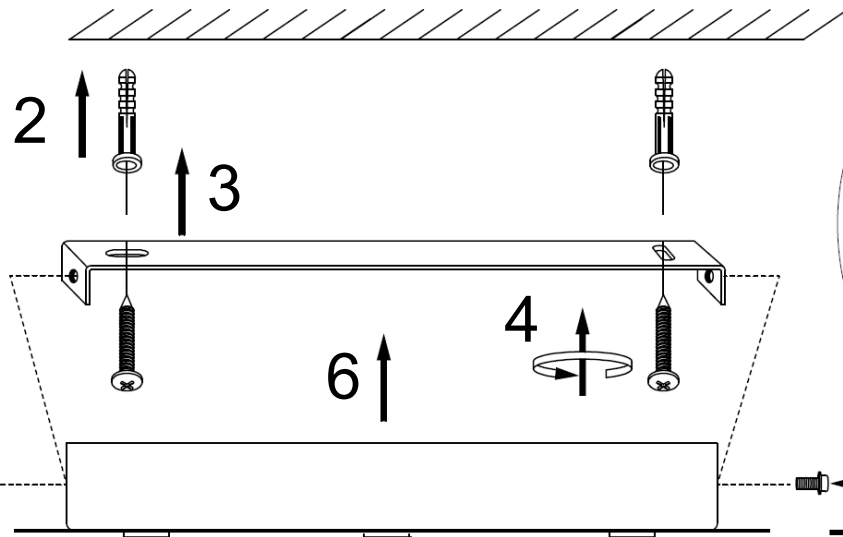


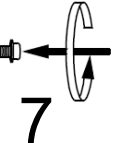
APPROVED
Q.C 06/12/2022
ISSUE 1



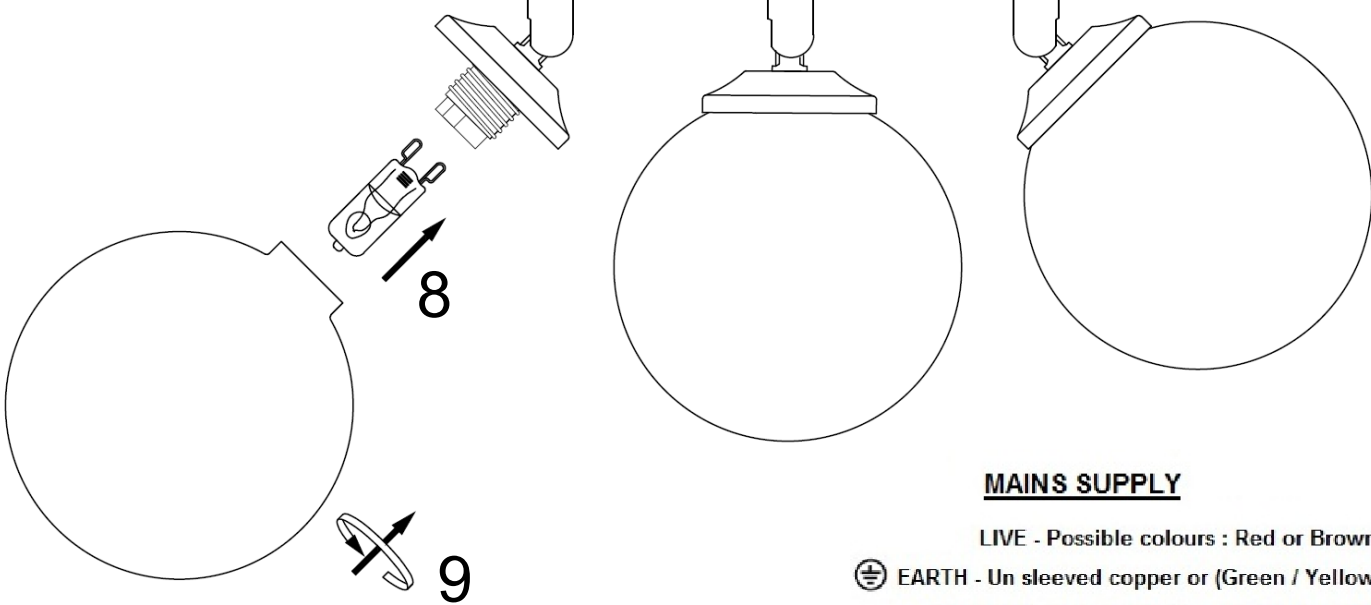
1



5



7

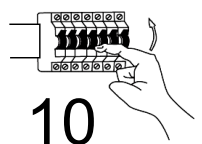
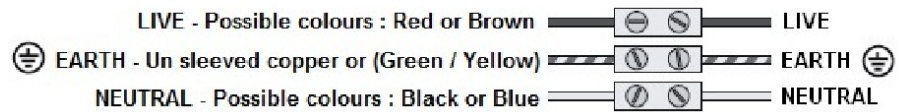


8

9

MAINS SUPPLY

LIGHT FITTING



10