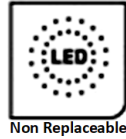


# searchlight

# 67422

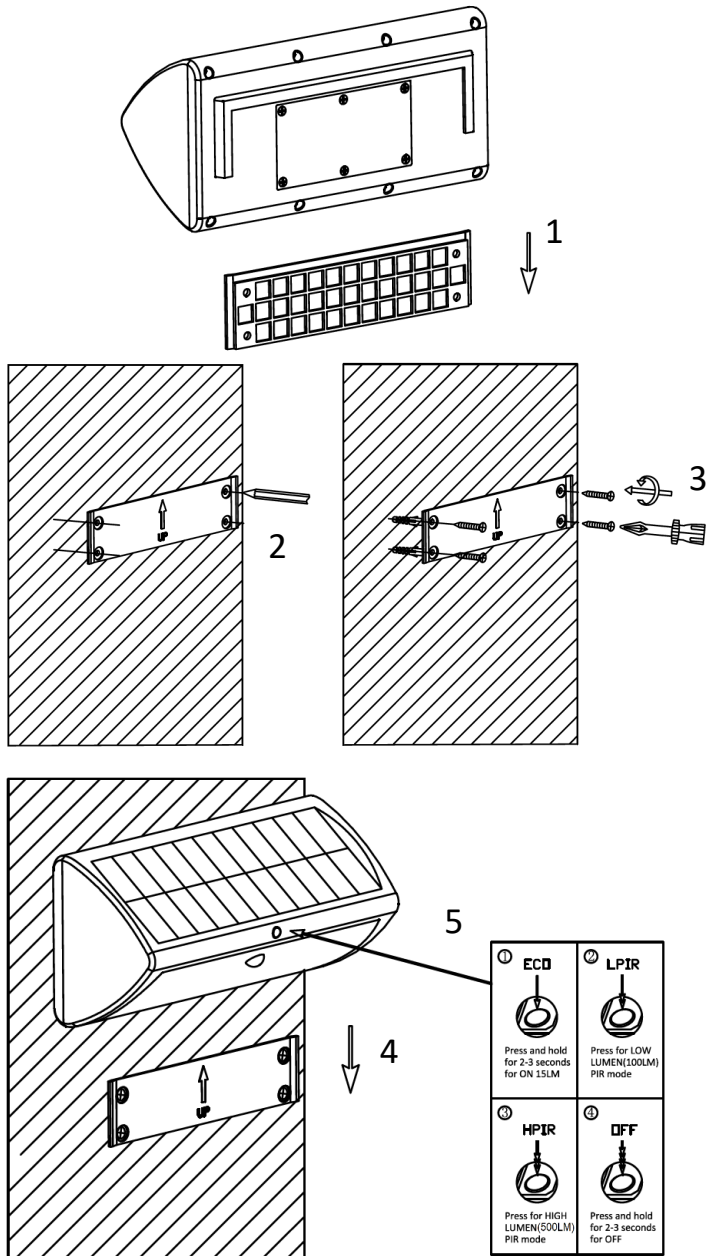


# IP44

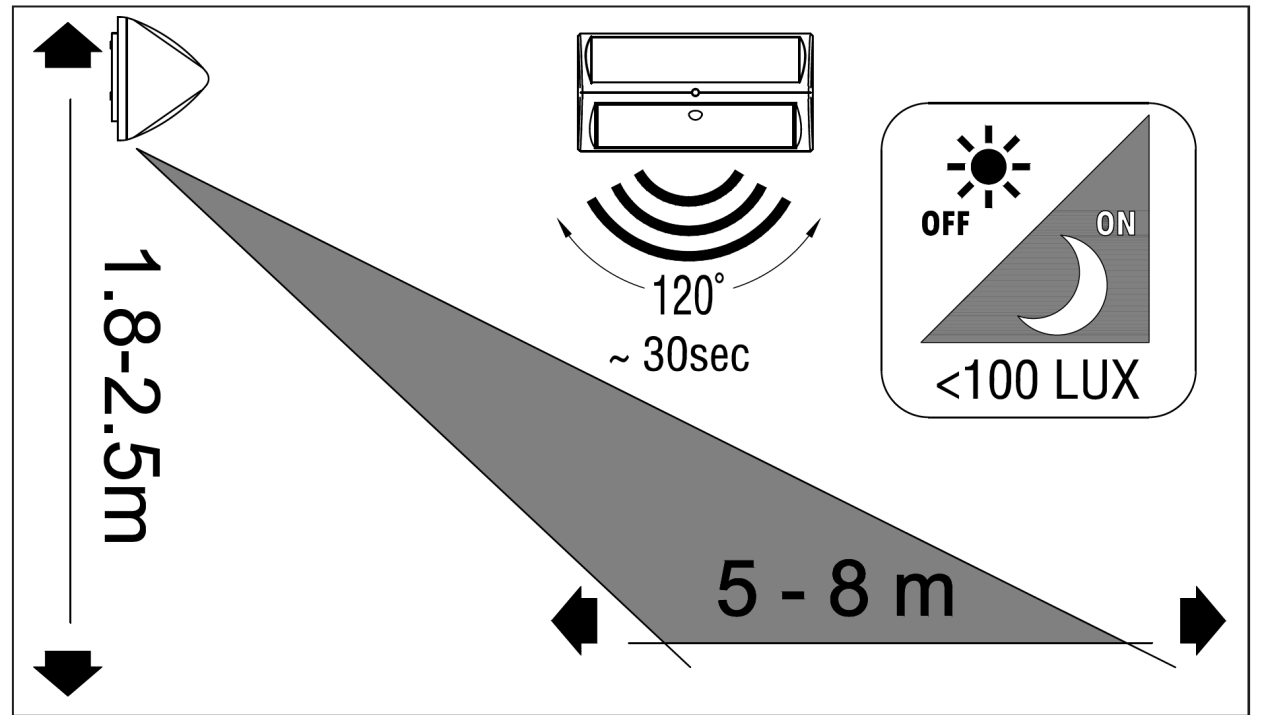
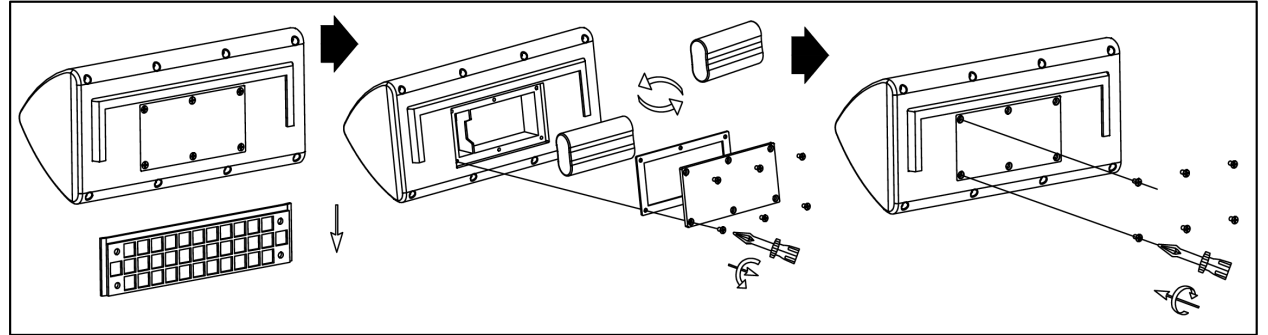


# UK CA EAC

Q.C APPROVED  
23/02/2023  
ISSUE 1



### BATTERIES REPLACEMENT



① ECD  Press and hold for 2-3 seconds for ON 15LM	② LPIR  Press for LOW LUMEN(100LM) PIR mode
③ HPIR  Press for HIGH LUMEN(500LM) PIR mode	④ OFF  Press and hold for 2-3 seconds for OFF