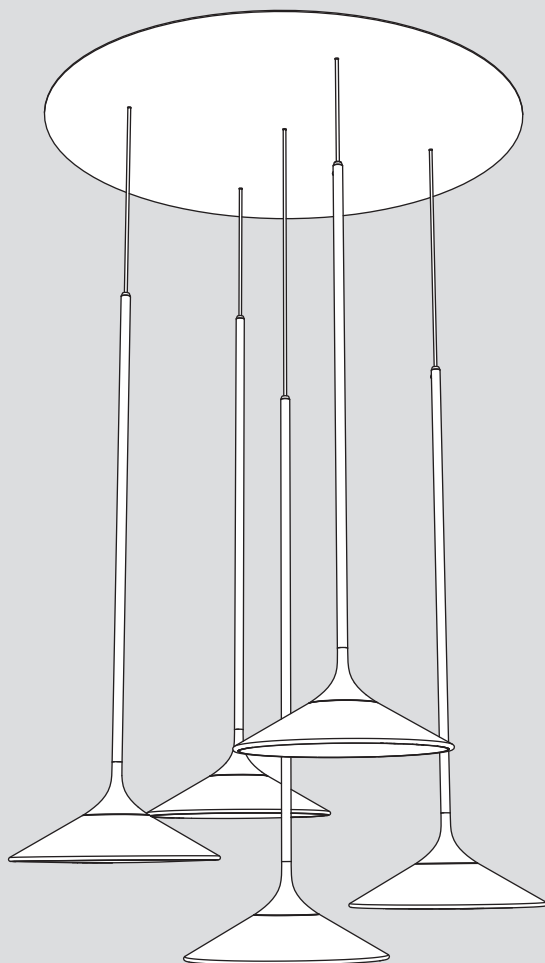


# Artemide®

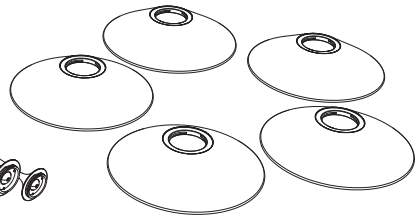
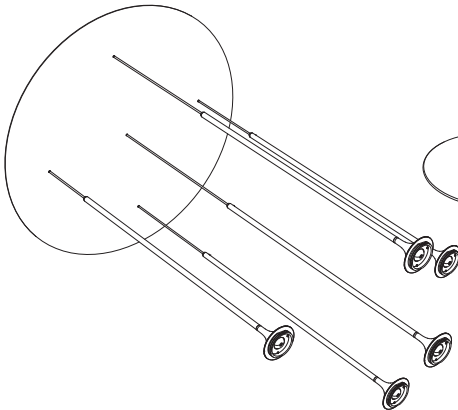
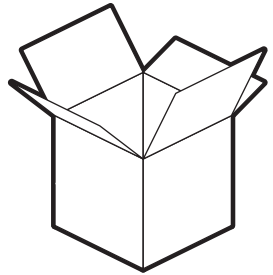
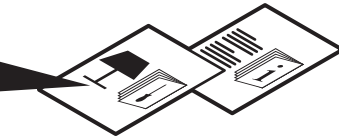
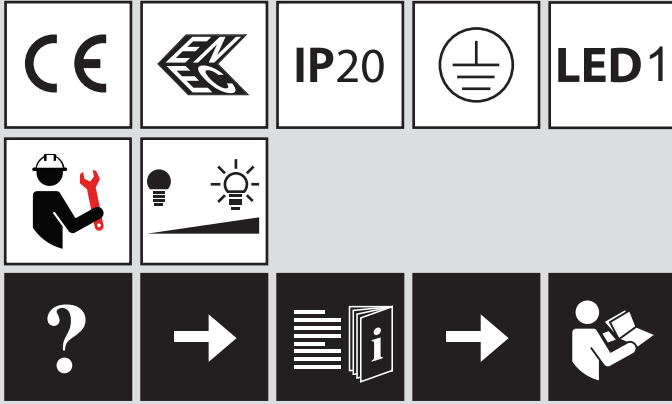
## Orsa Cluster 5

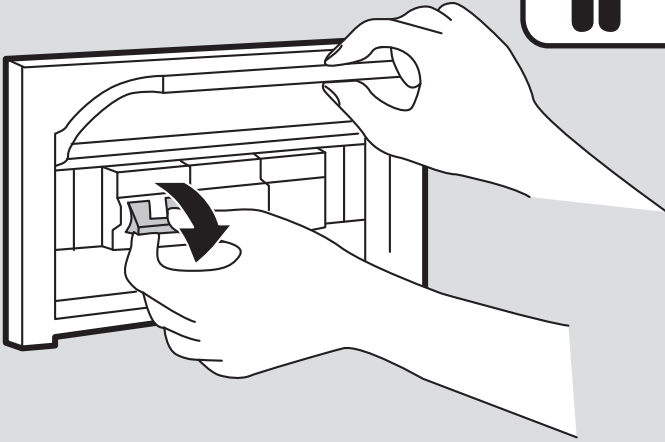
design  
Foster + Partners



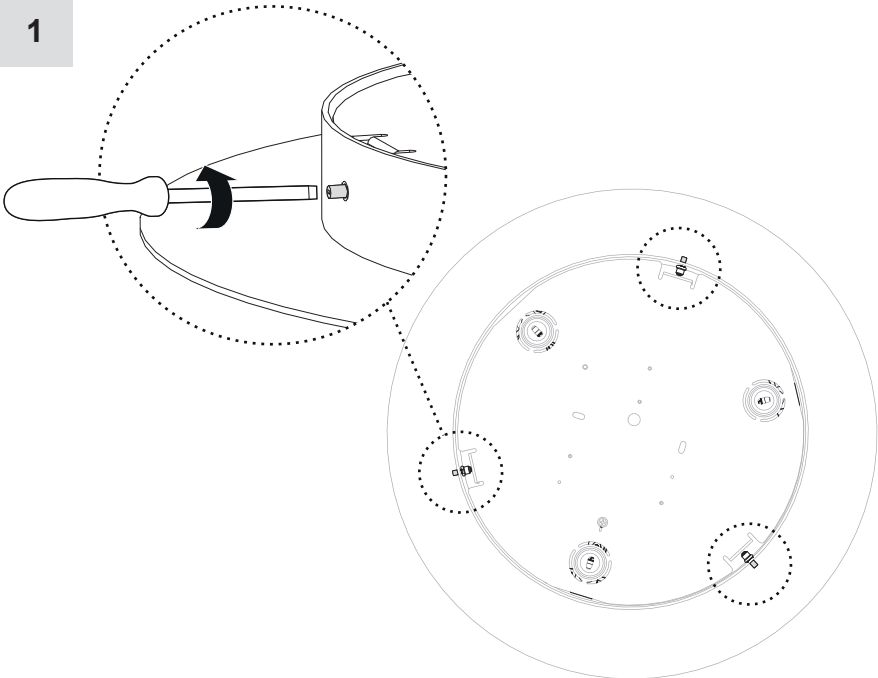


i

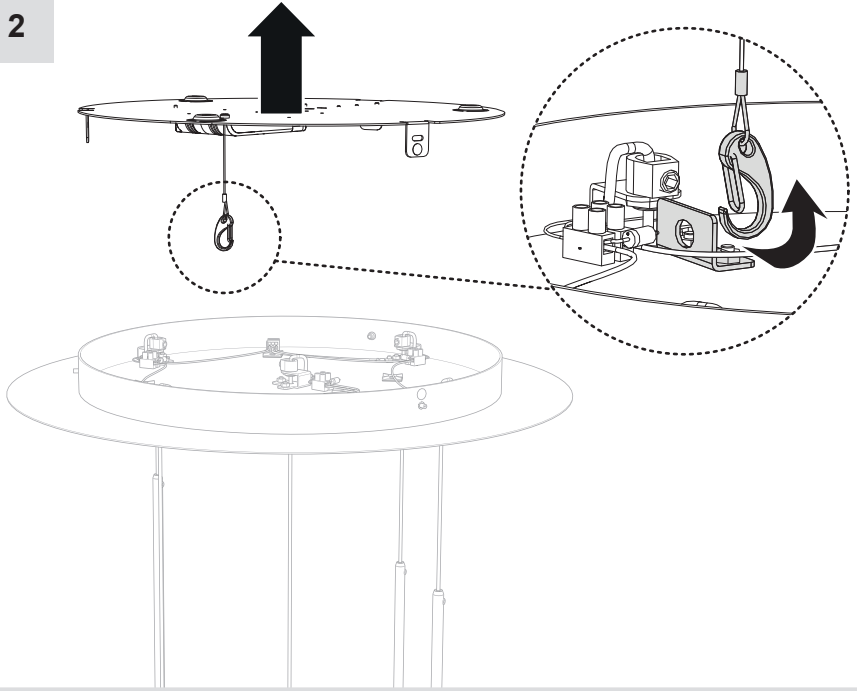




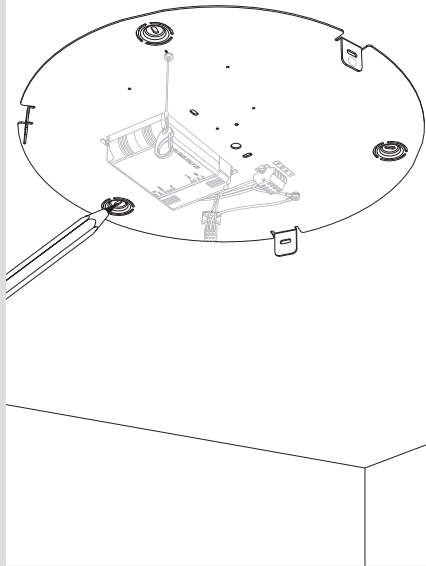
1



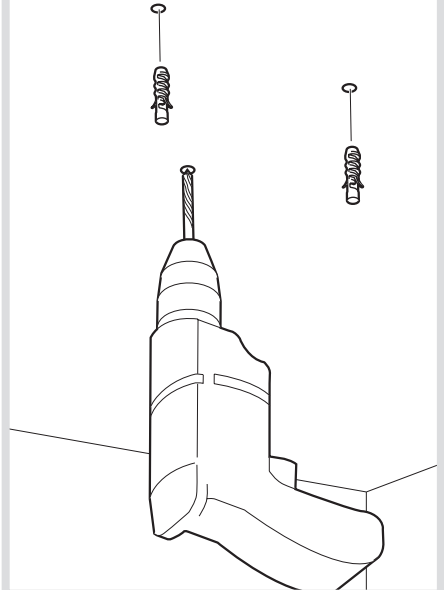
2



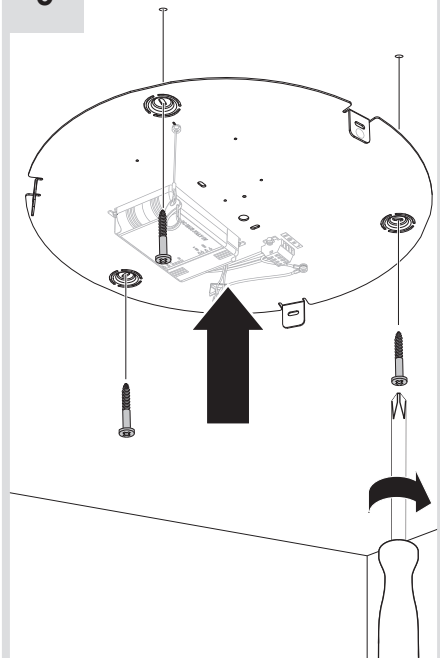
3



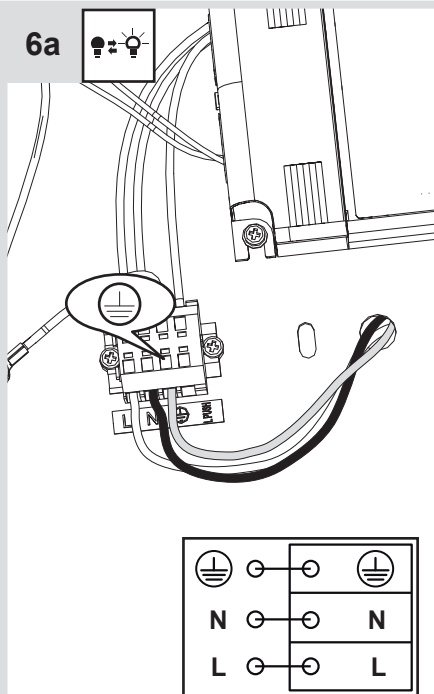
4



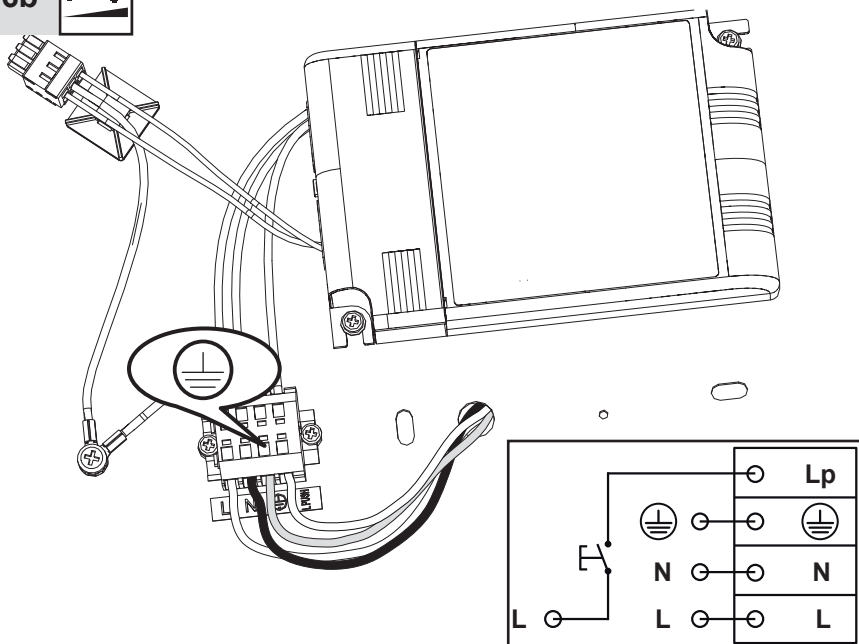
5

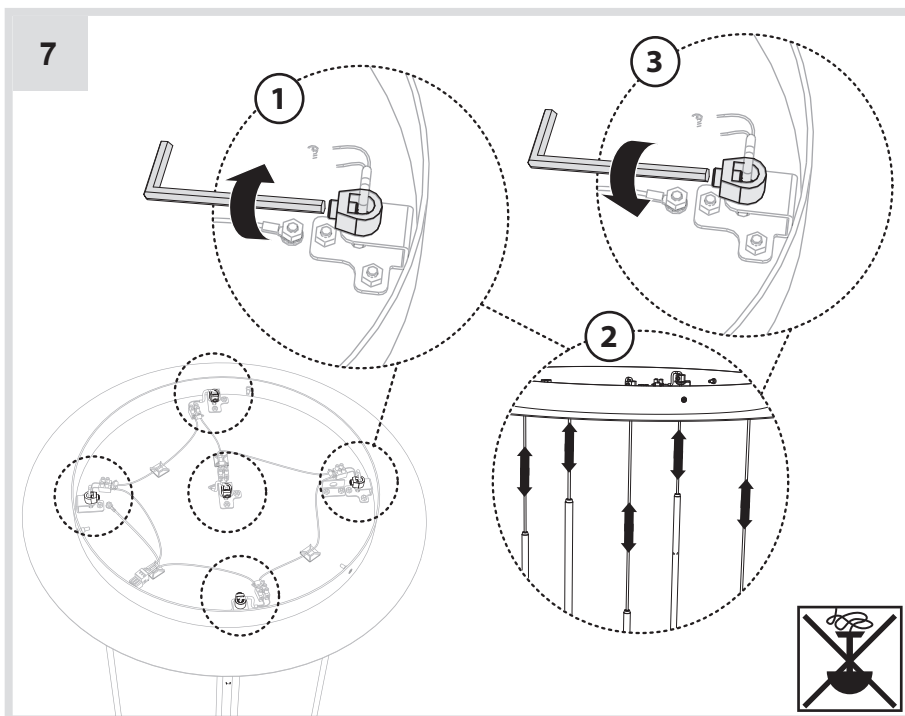
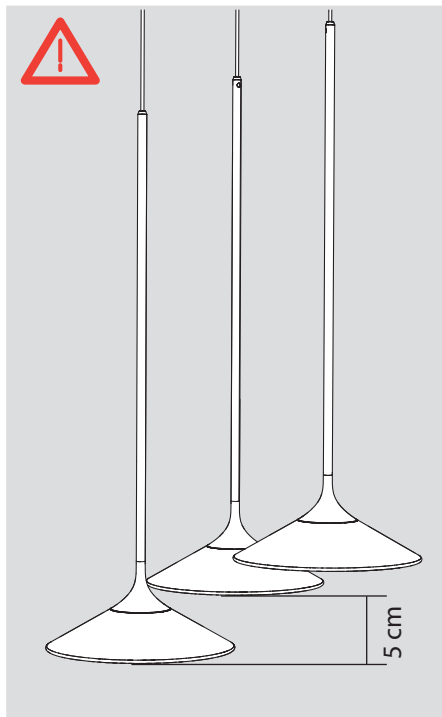
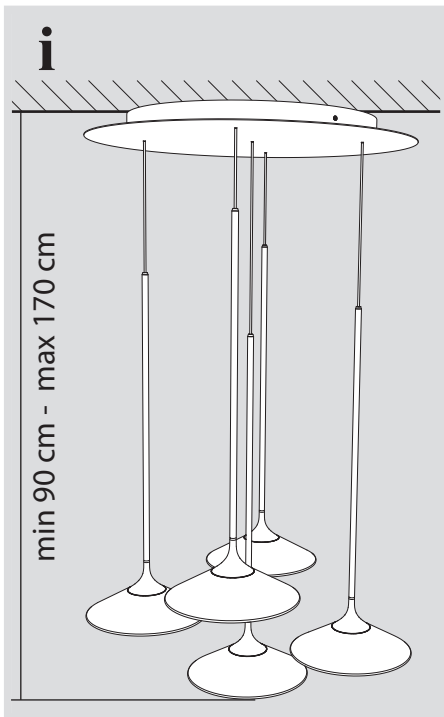


6a

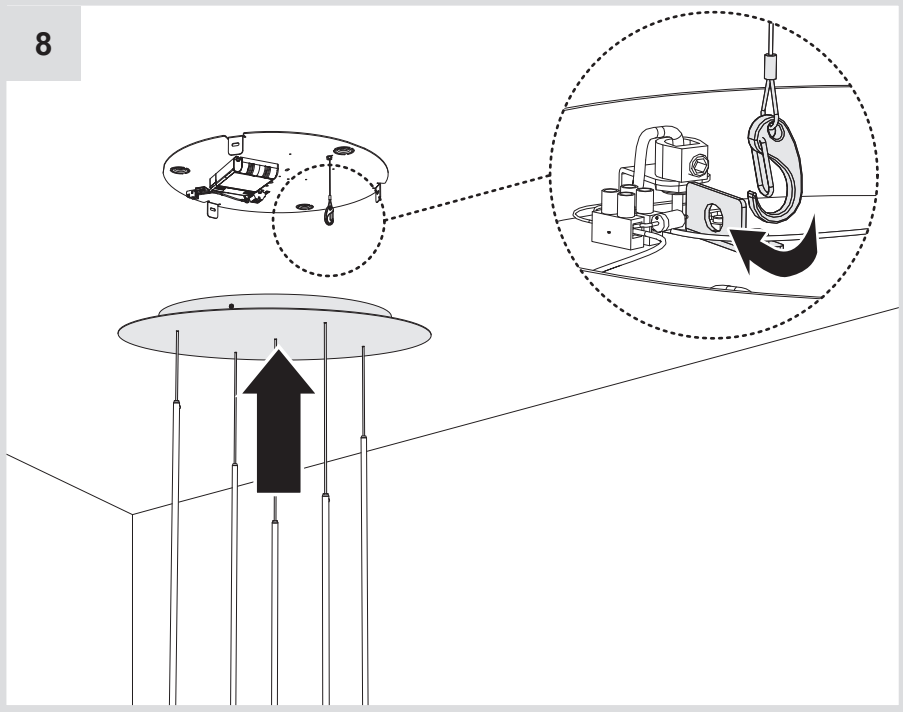


6b

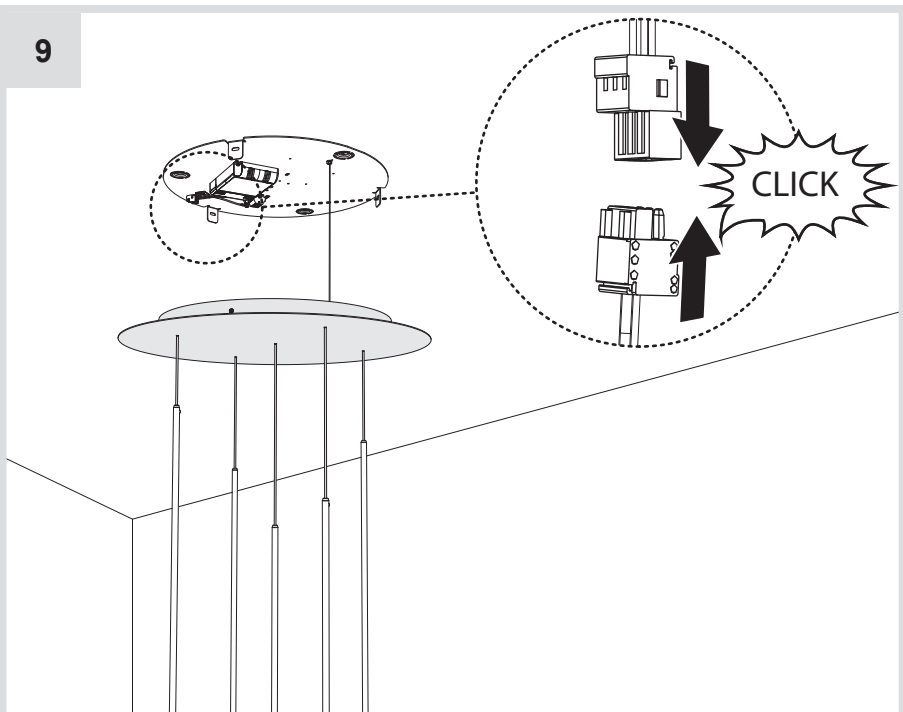




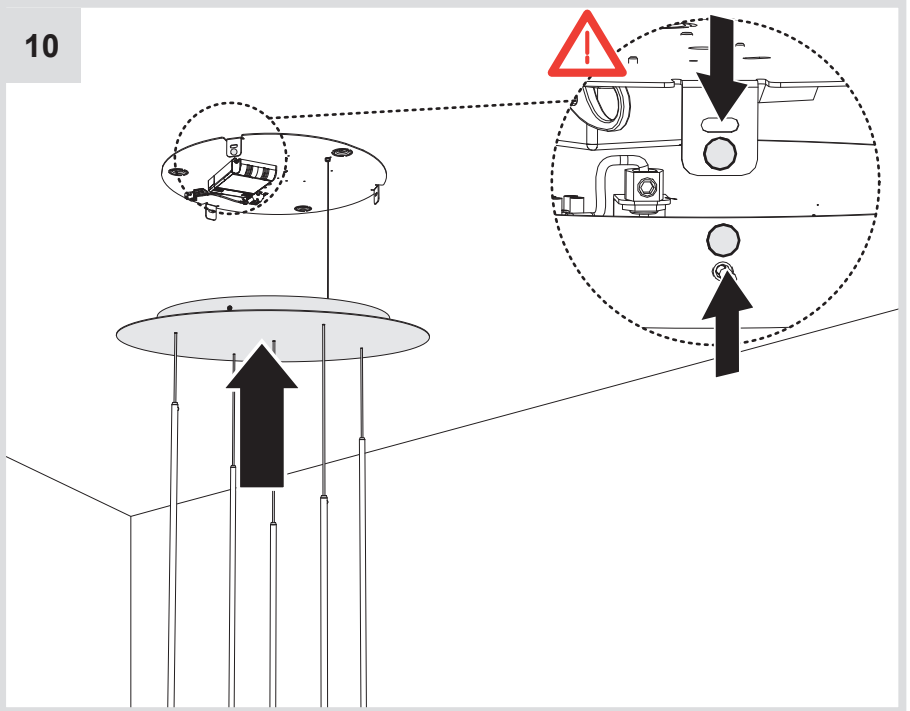
8



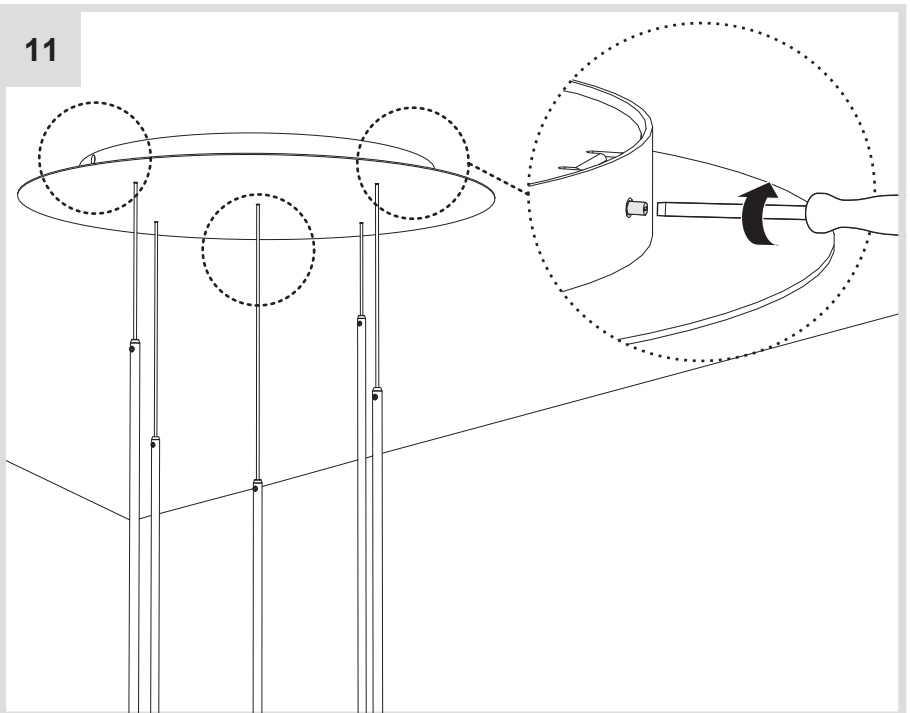
9



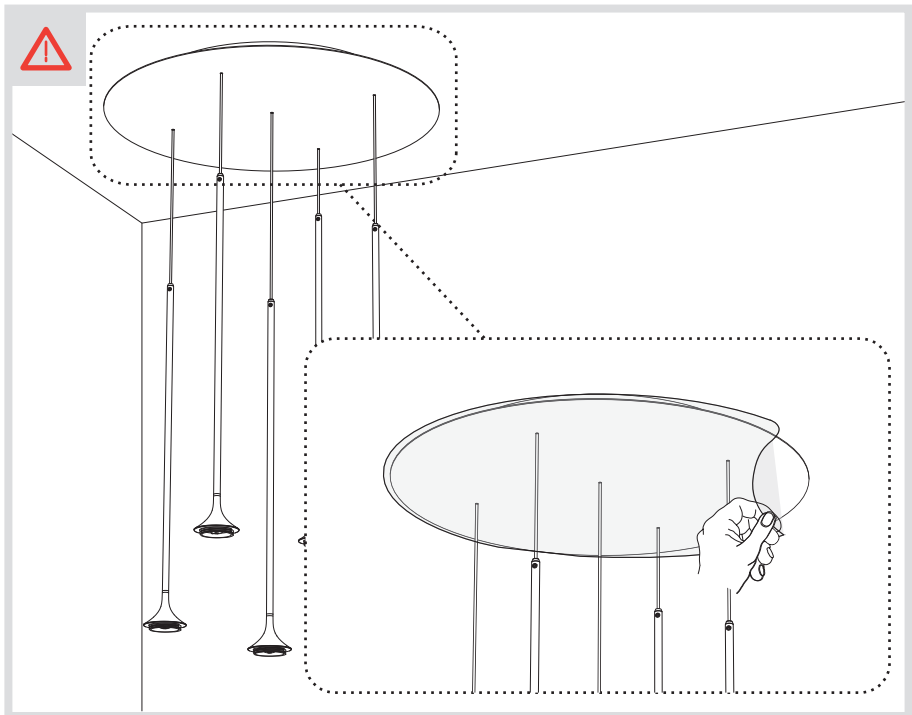
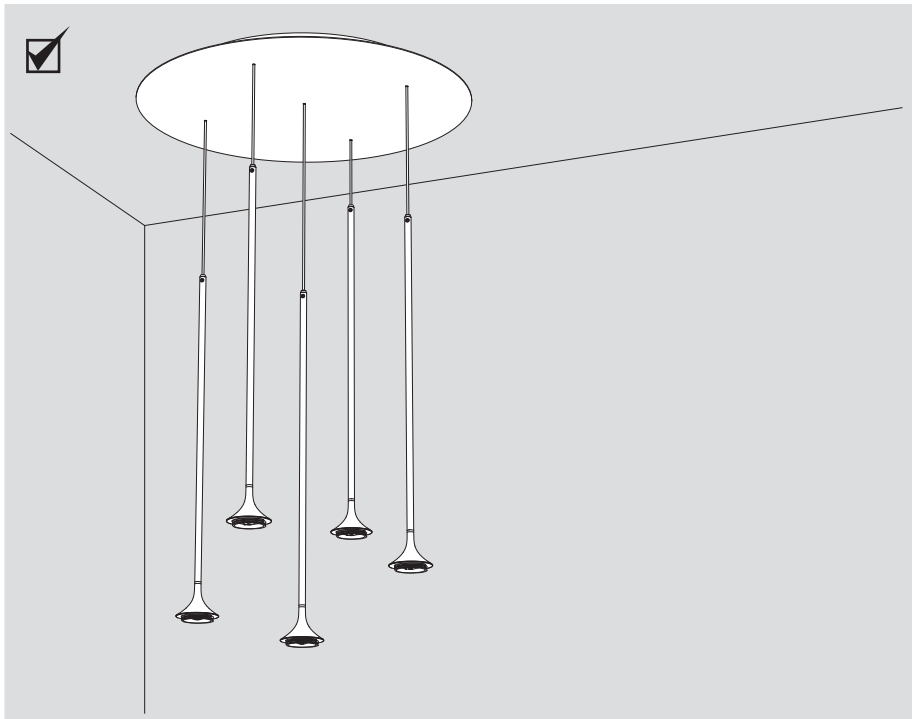
10

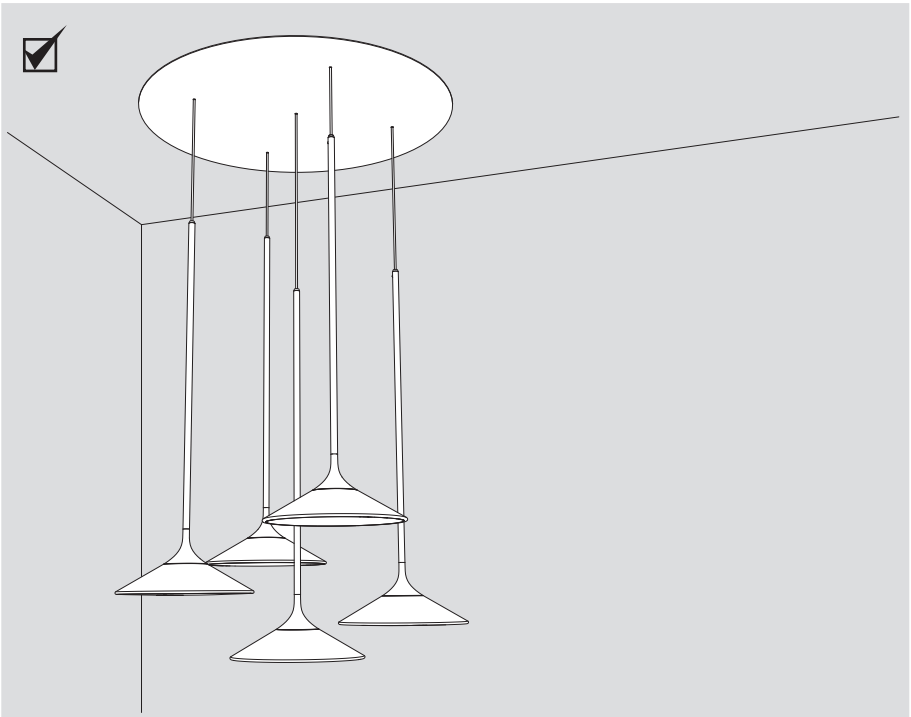
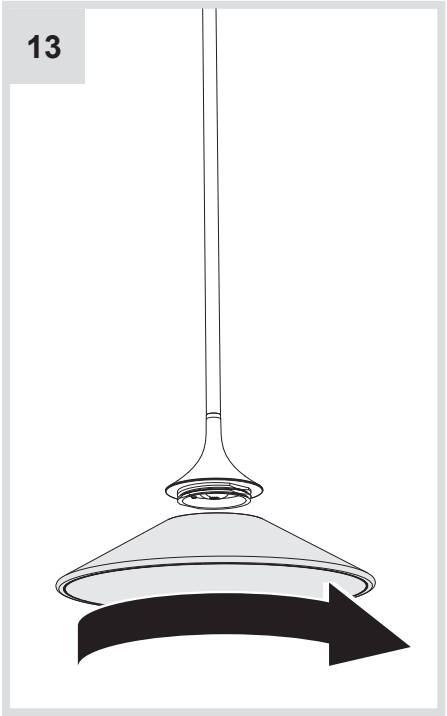
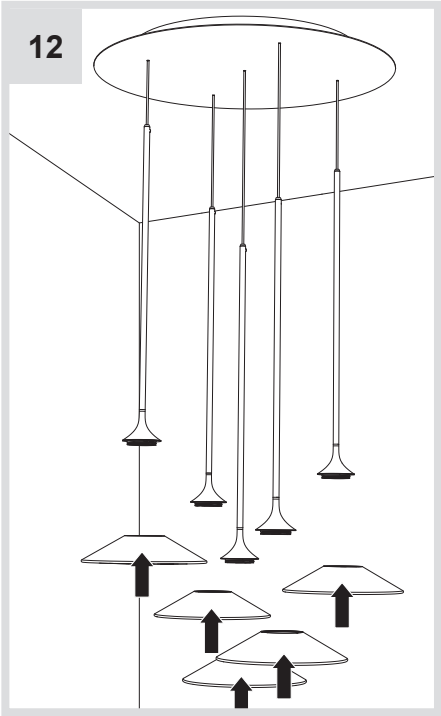


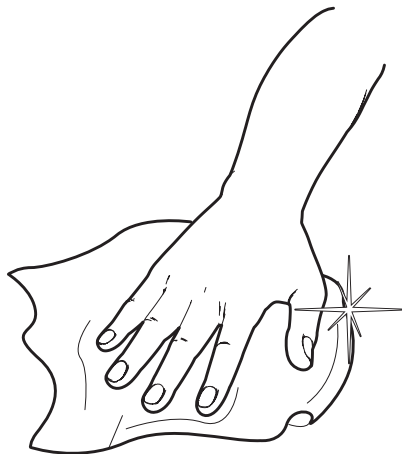
11











**Artemide®**



**Artemide**

via Bergamo, 18  
20010 Pregnana M.se (MI)  
ITALIA

tel. +39 02 935 181  
fax +39 02 935 90 254  
fax +39 02 935 90 496

[www.artemide.com](http://www.artemide.com)

VAT IT00846890150

cod. Y513000798