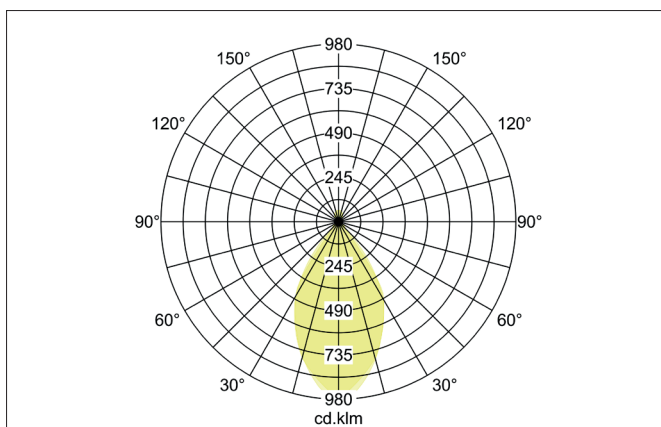
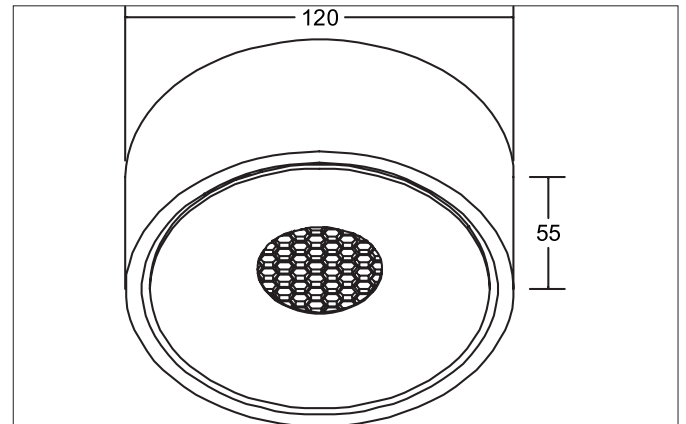


**INDY ED surface mounted downlight with indirect component, trailing-edge phase dimmable**

Article no. 12066173

Light.  
For Generations.**Tender**

ED surface mounted downlight with indirect component, trailing-edge phase dimmable, Round. Ceiling cut-out Installation depth mm, Outer diameter 120 mm, Weight 0,518 kg, Reflector silver with rotationssymmetrical, deep, wide distributed light intensity. optimal light distribution due to a Without cover cover. Luminous flux 1.370 lm, Power 1 x 14,2 W, Light colour warm white, Correlated color temperature (CCT) 3.000 K, Colour rendering index CRI > 90, Rated life time L70/B10 at 25 °C: 50.000 h, Housing material: Aluminium, Colour: White, Permissible ambient temperature (ta): -20 °C - +25 °C, Protection class (EN 61140): I, Degree of protection (DIN EN 60529): IP20, .With electronic driver, Trailing-edge phase dimmable.

Article data	
Article no.	12066173
GTIN	4251433955108
Series name	INDY
Short description	ED surface mounted downlight with indirect component, trailing-edge phase dimmable
Material	Aluminium
Colour	White
Type of surface	Structure
Shape	Round
Outer diameter	120 mm
Height	55 mm
Scope of delivery	incl. converter for connection to 230 V mains voltage, trailing-edge phase dimmer
Weight	0.518 kg

**INDY ED surface mounted downlight with indirect component, trailing-edge phase dimmable**

Article no. 12066173

Light.  
For Generations.

Lighting technology	
Colour temperature	3.000 K
Light colour	White
Light output	Direct/Indirect
Luminous flux	1,370 lm
System efficiency	96 lm/W
Colour rendering	CRI > 90
Reflector	High-gloss
Reflektorfarbe	silver
Beam angle	36°
Light sharing	Symmetric

Operating technology of the luminaire	
System output	14.2 W
Voltage type	AC
AC nominal voltage max	230 V
Frequenz max.	50 Hz
Lamp	LED
Protection class	I
Degree of protection	IP20
Dimmable	Yes
Control	Trailing-edge phase
Bulb change possible	The light source of this luminaire may only be replaced by the manufacturer or a service technician commissioned by him or a similarly qualified person.

Mounting technology	
Mounting method	Surface mounting
Place of installation	Ceiling-mounted
Adjustability	Not adjustable
Material cover	Without cover

Packing data	
Gross weight	0.625 kg
Length of packaging	155 mm
Packaging width	155 mm
Packaging height	80 mm
Disposal at end of life	This product must not be disposed of with household waste. You are obliged, to dispose of such electrical waste separately. By disposing of electrical waste and other old or defective electronics separately, you support recycling or other forms of re-use. In that way you help to take care and to avoid that harmful substances get into the environment.