







D260/D261/D264/D270 CLIPPO SEP 9.3W 2700K 34° excl. Driver 500mA

D896/D897/D898/D899 CLIPPO SEP (DTW) 9.5W 1800-3000K 34° excl. Driver 500mA

INPUT: 220-240V~50/60Hz CLASS I		  
LAMP-HOUSE: LED-		
MATERIAL: ALUMINIUM		

### **SAFETY INSTRUCTIONS**

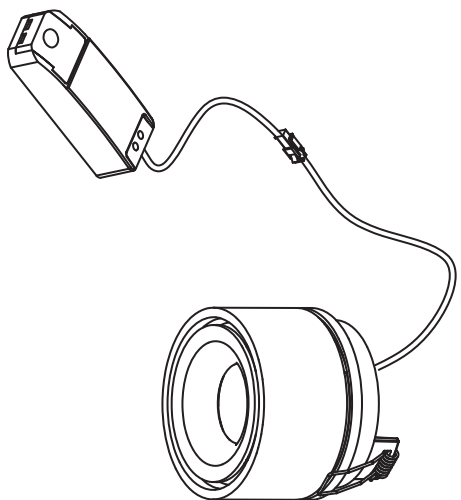
- The appliance should be installed, connected and tested by qualified electrician, and in accordance with local regulations.
- Turn off the power supply before installation or maintenance of the appliance, and make sure that the cables will not be squeezed or damaged by sharp edges.
- Clean the appliance with a soft cloth and a standard PH neutral detergent. Stainless steel surfaces should be maintained regularly.
- Misuse of, or changes to the appliance shall nullify the guarantee. The manufacturer is free to change the design, specifications and instructions for assembly.

**THE APPLIANCE SHOULD NOT BE COVERED BY INSULATION BLANKET OR SIMILAR MATERIALS IN ANY CASE.**



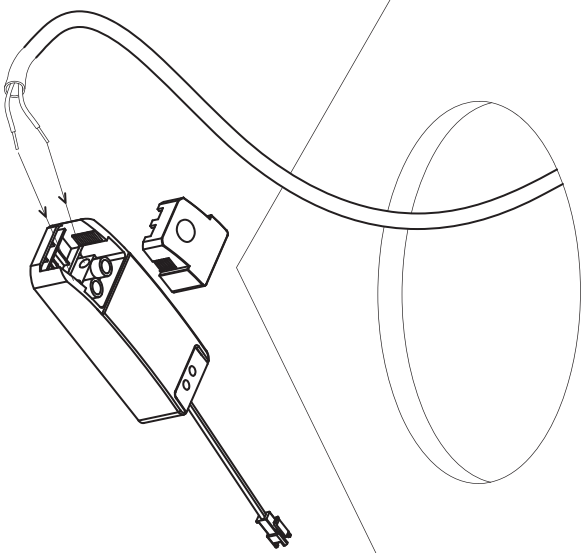
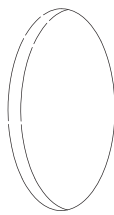
**DO NOT TOUCH OR CLEAN THE LED ARRAY!  
IN ORDER TO AVOID DAMAGE THE LED CHIP!**

**\*DLS**  
LIGHTING  
CLIPPO S EP

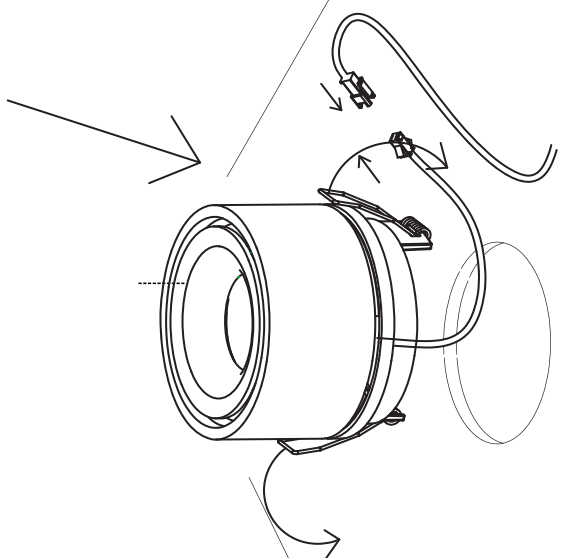


1

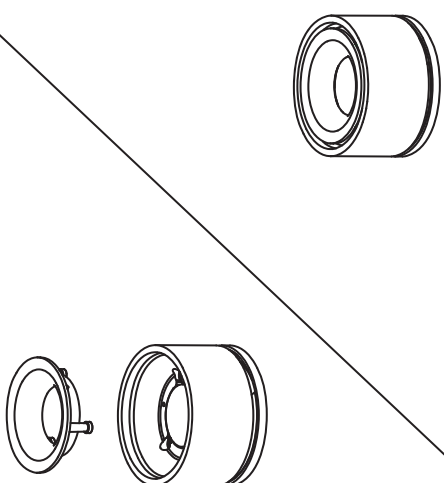
Cut Size: Ø68mm



2



3



4