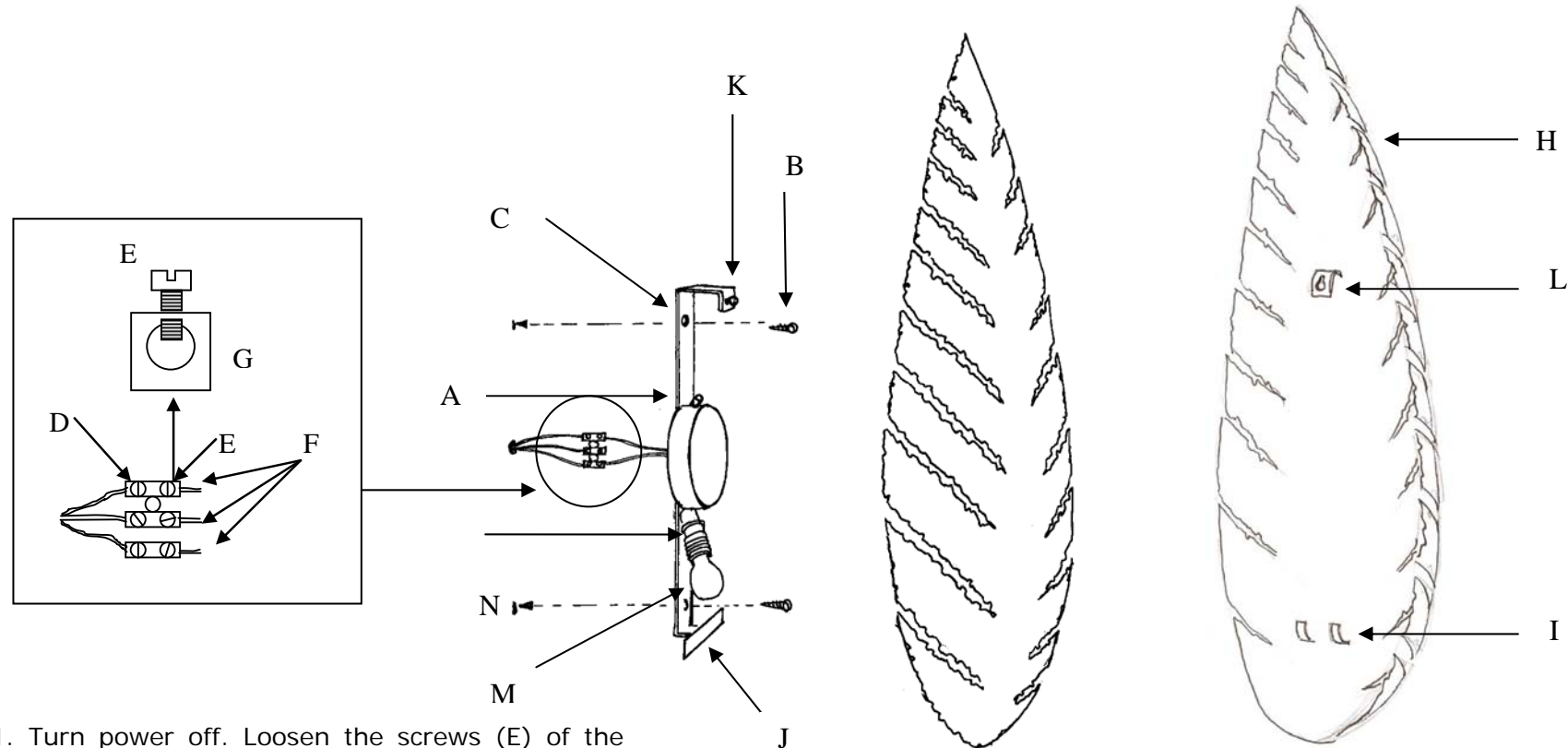


INSTALLATION INSTRUCTIONS



1. Turn power off. Loosen the screws (E) of the connector (D) by turning them counterclockwise with a screwdriver.

2. Insert your electrical wire (F) into the hole (G) of the terminal. Follow color codes: brown to brown, blue to blue, yellow-green to yellow green.

3. Position the distribution box (A) on the surface near the electrical supply wires so the wires are hidden behind the distribution box (A). Fix box (A) on the surface by boring screws (B) into the holes (C) into the wall.

4. Install the bulb (M) (use the correct no. of watts as indicated in the sticker) into the lampholder (N).

5. Mount the cover (H) to the wall support by attaching the clasps (I) to the flat metal piece (J) and inserting the bolt (K) into the hole of the hanger (L) of cover (H).

6. When changing the bulbs, be sure to turn off power and let the bulbs cool off before touching any part of lamp.