



Paulmann

### Safety Instructions

0,1,2,4,6,7,8,9,11,15,22,26,27



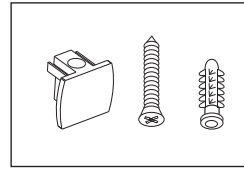
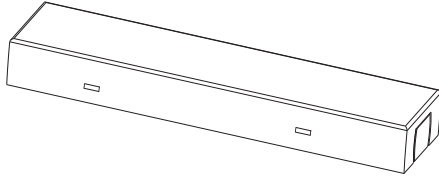
Info

[www.paulmann.com](http://www.paulmann.com)

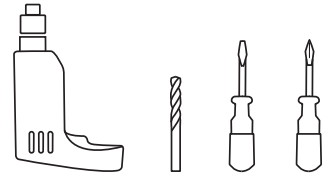
Paulmann Licht GmbH  
Quezinger Feld 2  
31832 Springe  
Germany

[www.paulmann.com](http://www.paulmann.com)

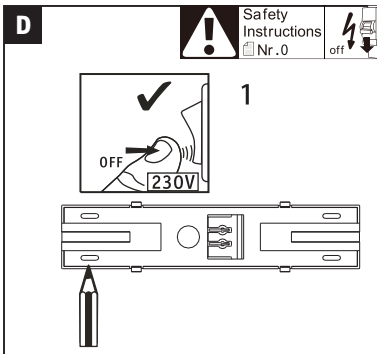
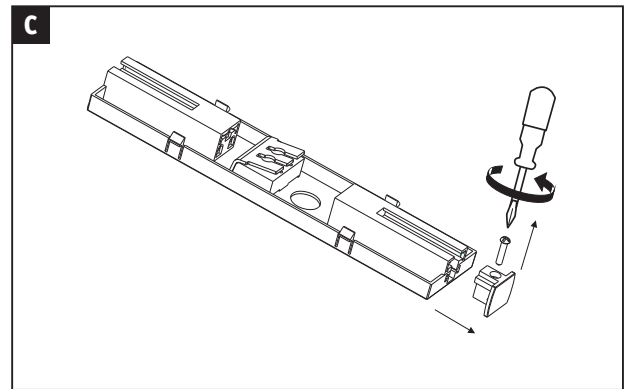
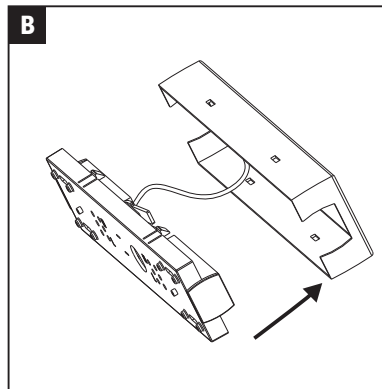
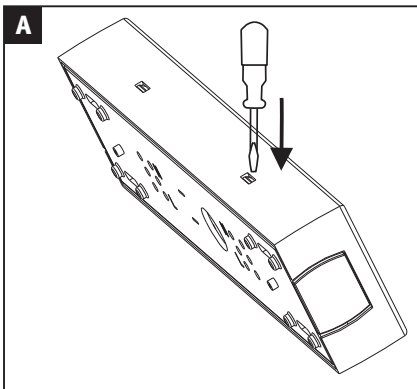
Art.-Nr.:968.85  
968.86  
868.87



incl



(+MA173)PB0 01/18



Safety Instructions  
Nr. 0

