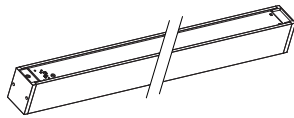
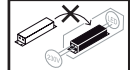


Click

SLC
Developed by
The Light Group



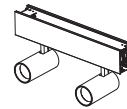
Luminaire

SLC9500 Click 560 BK CCT CRI90
SLC9502 Click 1120 BK CCT CRI90
SLC9504 Click 1400 BK CCT CRI90



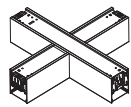
Uplight module

SLC8506 Click up-light for 560 BK CCT 5.5W
SLC8508 Click up-light for 1120 BK CCT 11W
SLC8510 Click up-light for 1400 BK CCT 13.5W



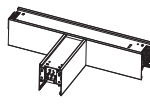
Spot module 2 x 15W

SLC8545 Click Spot module 2 x 15w BK L560



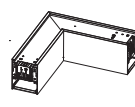
X Corner

SLC9533 Click Corner X BK CRI90



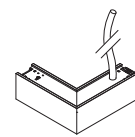
T Corner

SLC9527 Click Corner T AC L BK CRI90
SLC9529 Click Corner T AC R BK CRI90
SLC9531 Click Corner T AC M BK CRI90



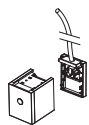
L Corner (90°)

SLC9523 Click Corner L AC R BK CRI90
SLC9525 Click Corner L AC L BK CRI90



L Corner Feeder (90°)

SLC9538 Click Corner L AC R Feeder BK CRI90(1,5m cable)



Endcap Pushdim + AC (3 wire)

SLC8514 Click Endcap Pushdim BK + AC(1,5m cable)



Endcap

SLC8516 Click Endcap BK



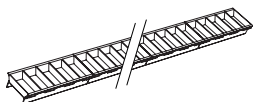
Endcap AC (5 wire DALI)

SLC8512 Click Endcap AC BK(1,5m cable)



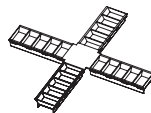
Joint Plate

SLC8522 Click Joint Plate



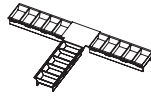
Louvre Cover

SLC9540 Click Louvre for 560mm BLACK
SLC9541 Click Louvre for 1120mm BLACK
SLC9542 Click Louvre for 1400mm BLACK



Louvre X Cover

SLC9545 Click Louvre for X joint



Louvre T Cover

SLC9544 Click Louvre for T joint



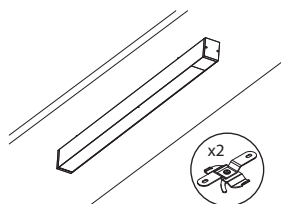
Louvre L Cover

SLC9543 Click Louvre for L joint



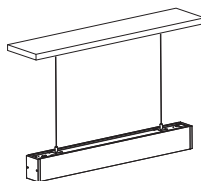
Prismatic roll 20m

SLC8537 Click Prismatic roll 20m



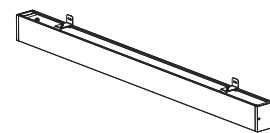
Surface mounting

SLC8519



Suspension mounting (1,5m)

SLC8518



Wall mounting

SLC8521

Please read the whole manual before installing



NO: Må installeres av godkjent installator
EN: Only to be installed by an authorized electrician
DE: Nur von einer autorisierten Elektrofachkraft installierenlassen
FI: Asenna vain valtuutettu sähköasentaja
FR: Seulement pour être installé par un électricien autorisé
IS: Aðeins skal setja upp af viðurkenndum rafvirkri
ES: Solo para ser instalado por un electricista autorizado.
IT: Solo per essere installato da un elettricista autorizzato

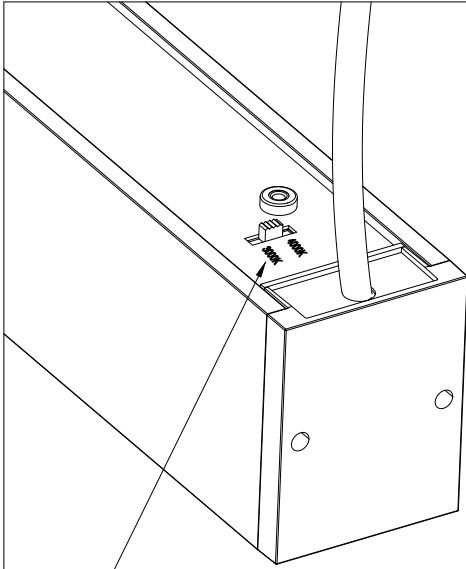


NO: Slå av strømmen før montering
EN: Power off before installing
DE: Schalten Sie vor der Installation die Stromversorgung aus
FI: Katkaise virta ennen asennusta
FR: Couper le courant avant d'installer
IS: Slökktu á orku áður en þú setur upp
ES: Apague la alimentación antes de instalar
IT: Spegnerne l'alimentazione prima di installare



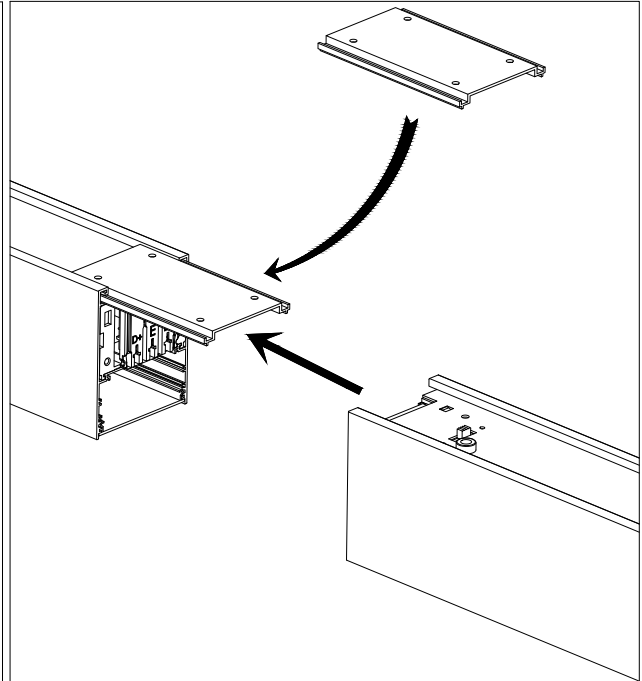
Management, Operation
and Maintenance

Click



Color temperature switch

There is a color temperature selection switch behind the lamp, you can choose between 3000 and 4000 Kelvin.



Insert the reinforcing plate into the slot on the back of the lamp

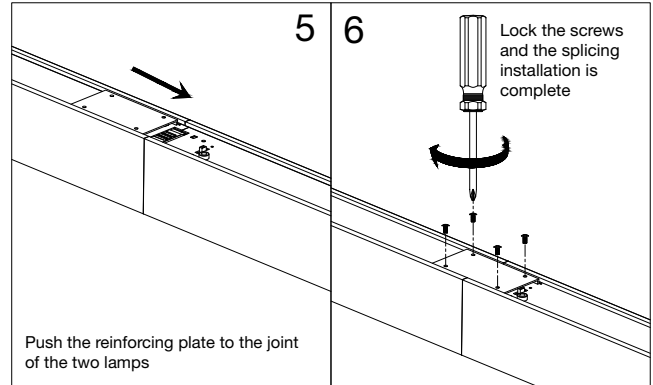
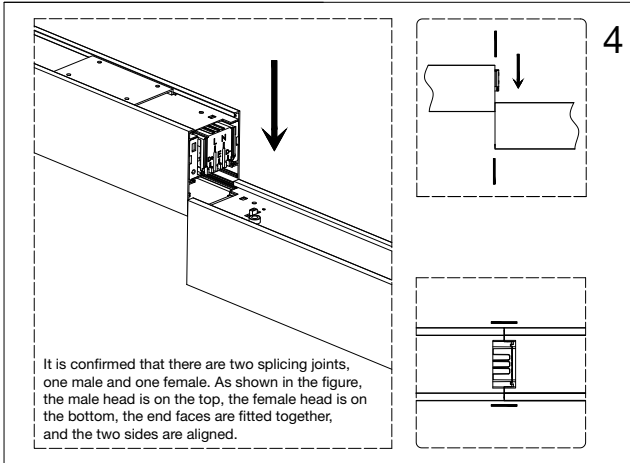
Please Note. When using the push dim module, do not connect the luminaire to the DALI system.

- 1 Cable to be connected to 230V when ready.
- 2 Install the end caps on the light fixture, If the luminaire already has installed the end cover, skip the following steps
- 3 Lock the end cover with screws, and the electrical installation is complete

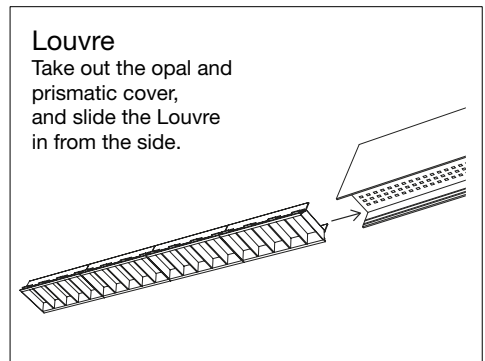
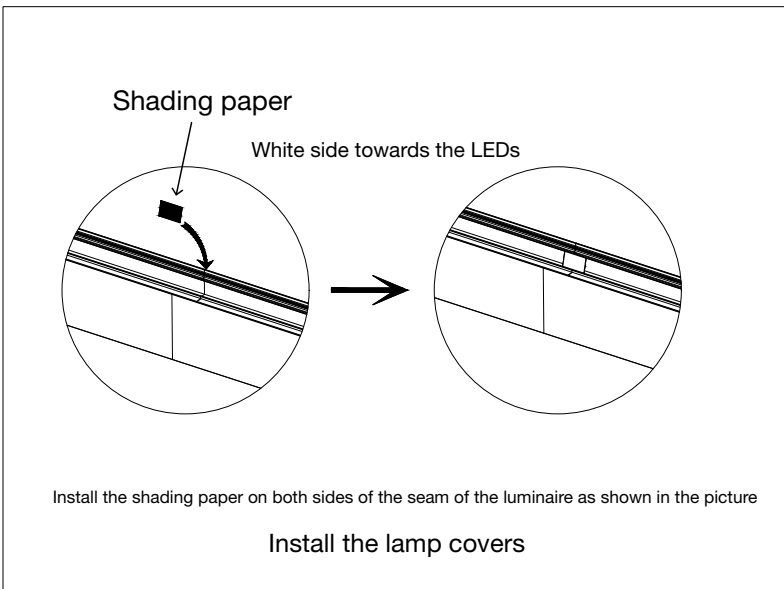
Add upright module

- 1 Open the end cover without the color temperature switch
- 2 The plug end of the upright module is inserted into the card slot on the back of the lamp
- 3

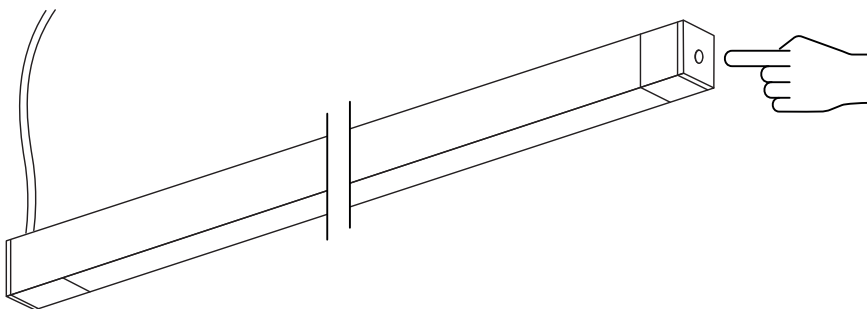
Click



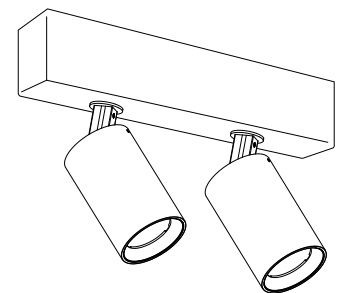
Wire suspender can also be mounted on joint plate



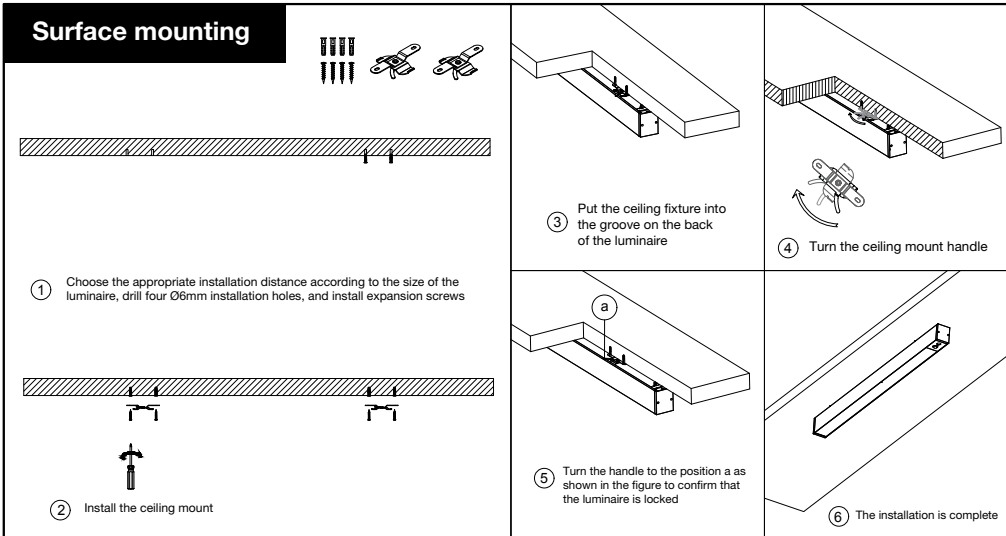
When installing a system of SLC Click luminaires to a project.
To synchronize the dimming range, hold the dimmer button for 30 sec. (if needed)



Remember to set the correct colour temperature **before** installing the spot lights



Surface mounting



1 Choose the appropriate installation distance according to the size of the luminaire, drill four Ø6mm installation holes, and install expansion screws

2 Install the ceiling mount

3 Put the ceiling fixture into the groove on the back of the luminaire

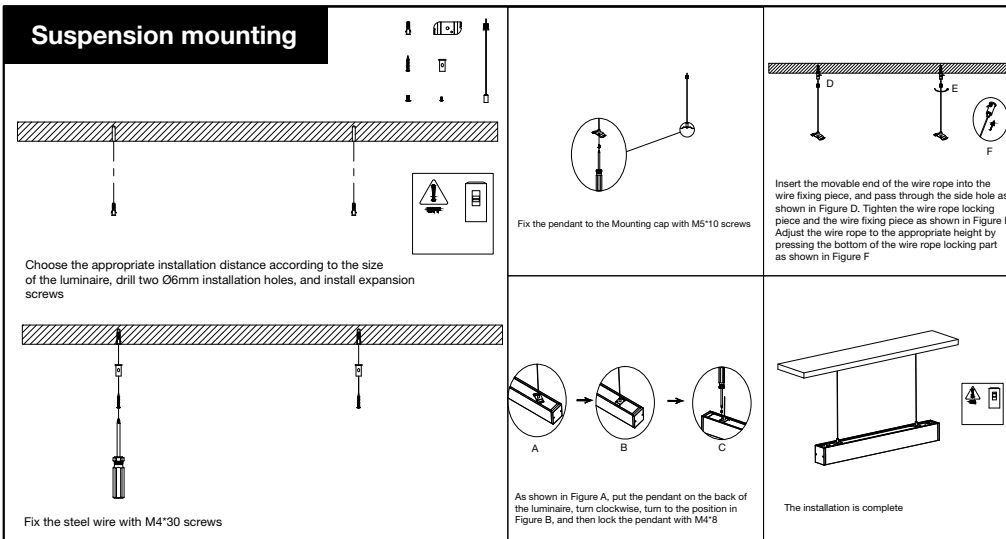
4 Turn the ceiling mount handle

5 Turn the handle to the position a as shown in the figure to confirm that the luminaire is locked

6 The installation is complete

SLC8519

Suspension mounting



Choose the appropriate installation distance according to the size of the luminaire, drill two Ø6mm installation holes, and install expansion screws

Fix the steel wire with M4*30 screws

Fix the pendant to the Mounting cap with M5*10 screws

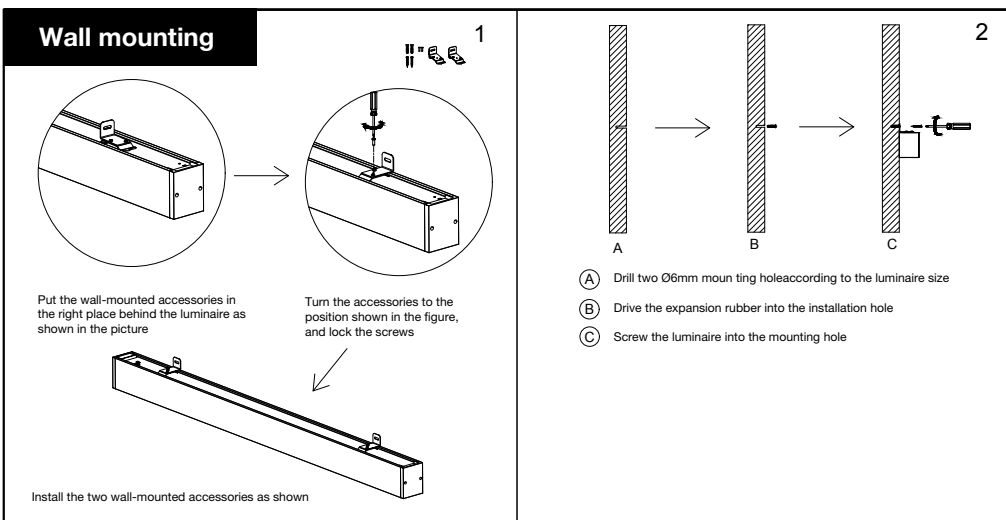
Insert the movable end of the wire rope into the wire fixing piece, and pass through the side hole as shown in Figure D. Tighten the wire rope locking piece and the wire fixing piece as shown in Figure E. Adjust the wire rope to the appropriate height by pressing the bottom of the wire rope locking part as shown in Figure F.

As shown in Figure A, put the pendant on the back of the luminaire, turn clockwise, turn to the position in Figure B, and then lock the pendant with M4*8

The installation is complete

SLC8518

Wall mounting



1

Put the wall-mounted accessories in the right place behind the luminaire as shown in the picture

Turn the accessories to the position shown in the figure, and lock the screws

Install the two wall-mounted accessories as shown

2

A Drill two Ø6mm mounting hole according to the luminaire size

B Drive the expansion rubber into the installation hole

C Screw the luminaire into the mounting hole

SLC8521