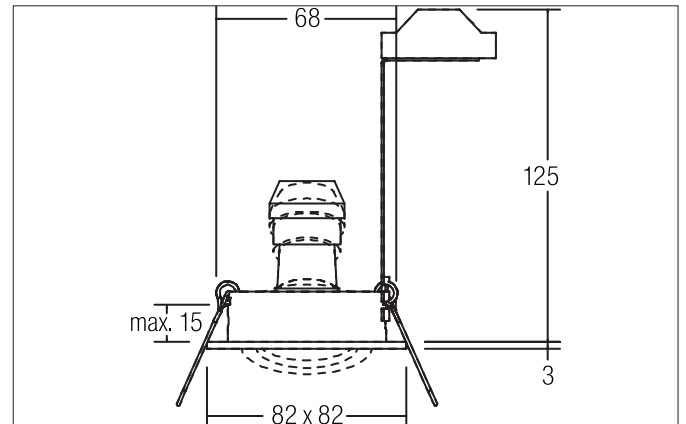


**TIRREL-S Recessed spot, GU10**

Article no. 36144250

Light.  
For Generations.**Tender**

Recessed spot, GU10, alu matt, Square. In a compact design, for installation in tool-less rapid assembly systems. Including bracket with GU10 socket for standard-compliant strain relief. Lamp holder: GU10, Mounting method: Recessed mounting, Place of installation: Ceiling-mounted, Material: Aluminium, Degree of protection: according to DIN EN 60529 IP20, Protection class: (EN 61140) II, Voltage: 230V AC 50Hz, Power: 50 W, Amount of light sources / fittings: 1 Qty, Adjustability: Pivoted, without control gear, Control: Other.

**Product Benefits**

- Recessed spot in square shape made of solid aluminum.  
for LED retrofit lamps with GU10 base.
- Ceiling cutout 68 mm, diameter 82 mm, installation depth 125 mm, IP20.
- Pivoting range 25°.
- Large color variation. Without visible snap ring.
- Classic, formally restrained design.
- In the same optics also available as GX5.3 version, as switchable and dimmable set (trailing-edge phase or DALI) and as a loudspeaker.
- In addition in the same surface structure and in the same color also available in round version.

**TIRREL-S Recessed spot, GU 10**

Article no. 36144250

Light.  
For Generations.

| Article data       |                     |
|--------------------|---------------------|
| Article no.        | 36144250            |
| GTIN               | 4250047780496       |
| Series name        | TIRREL-S            |
| Short description  | Recessed spot, GU10 |
| Material           | Aluminium           |
| Colour             | Alu                 |
| Type of surface    | Matt                |
| Shape              | Square              |
| Built-in diameter  | 68 mm               |
| Installation depth | 125 mm              |
| Length             | 82 mm               |
| Width              | 82 mm               |
| Hight              | 3 mm                |
| Weight             | 0.135 kg            |

| Operating technology of the luminaire |                        |
|---------------------------------------|------------------------|
| System output                         | 50 W                   |
| Voltage type                          | AC                     |
| AC nominal voltage max                | 230 V                  |
| Frequenz max.                         | 50 Hz                  |
| Lamp                                  | For LED-retrofill lamp |
| Lamp holder                           | GU10                   |
| Protection class                      | II                     |
| Degree of protection                  | IP20                   |
| Control                               | Other                  |
| Bulb change possible                  | Yes                    |

| Mounting technology    |   |
|------------------------|---|
| Mounting method        | Recessed mounting                         |
| Place of installation  | Ceiling-mounted                           |
| Adjustability          | Pivoted                                   |
| Swivel angle           | 20°                                       |
| Max. ceiling thickness | 15 mm                                     |
| Further references     | No cover with thermal insulation material |
| Material cover         | Without cover                             |
| Circlip                | Without circlip                           |

| Packing data            |   |
|-------------------------|---|
| Gross weight            | 0.213 kg  |
| Length of packaging     | 140 mm  |
| Packaging width         | 100 mm  |
| Packaging hight         | 85 mm   |
| Disposal at end of life | This product must not be disposed of with household waste. You are obliged, to dispose of such electrical waste separately.<br>By disposing of electrical waste and other old or defective electronics separately, you support recycling or other forms of re-use. In that way you help to take care and to avoid that harmful substances get into the environment. |