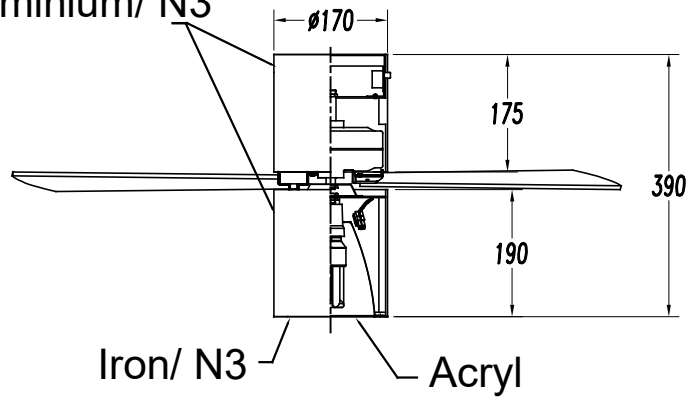
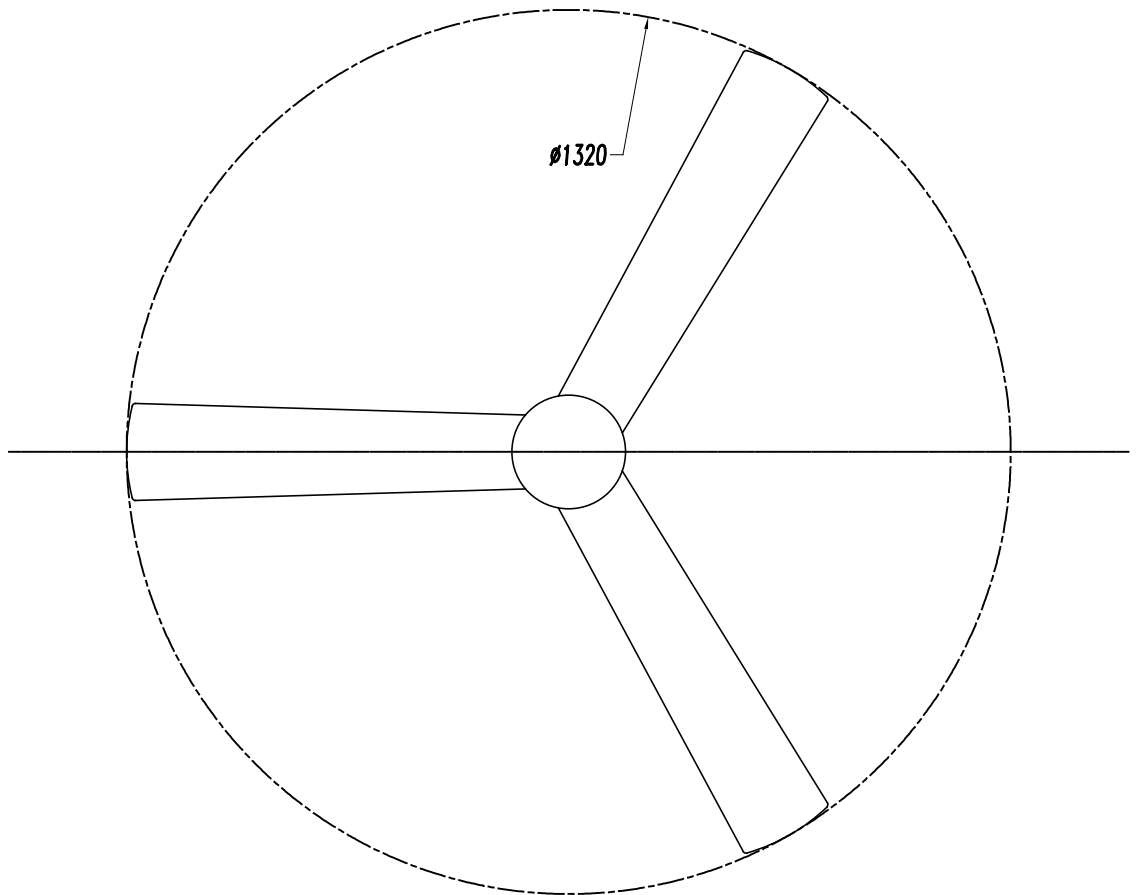


Aluminium/ N3



Iron/ N3

Acryl



WOOD / WHITE&GREY

