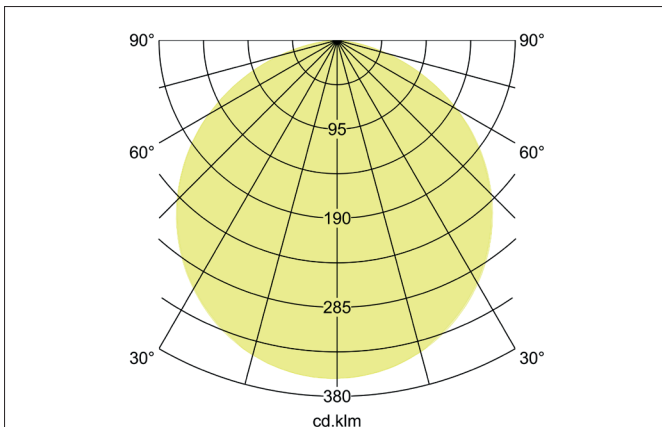
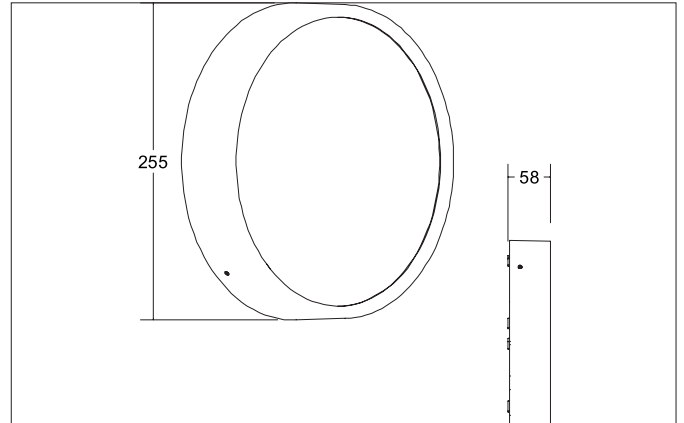




EYE LED surface-mounted wall light, IP65, 3CCT, switchable, seawater-protected
 Article no. 10036183MC



Tender
 LED surface-mounted wall light, IP65, 3CCT, switchable, seawater-protected, Round. Luminaire diameter 255.0 mm, Hight 60.0 mm Weight 1.34 kg, with rotationssymmetrical, deep, wide distributed light intensity. Cover plastic, opal Luminous flux 1.000 lm, Power 1 x 12 W, Light colour warm white to daylight white, Correlated color temprature (CCT) 3.000 - 5.700 K, Colour rendering index CRI > 80, Rated life time L70/B50 at 25 °C: 50.000 h, Housing material: Aluminium / Plastic, Colour: black structure, Permissible ambient temperature (ta): -20 °C up to +45 °C, Protection class (EN 61140): I, Degree of protection (DIN EN 60529): IP65, shock resistance according to IEC62262: IK10 . With electronic driver, on/off switchable.

Article data	
Article no.	10036183MC
GTIN	4251433990864
Series name	EYE
Short description	LED surface-mounted wall light, IP65, 3CCT, switchable, seawater-protected
Material	Aluminium / Plastic
Colour	black structure
Type of surface	Structure
Shape	Round
Outer diameter	255 mm
Hight	60 mm
Scope of delivery	incl. converter for connection to 230 V mains voltage, switchable
Weight	1.34 kg
D licence plate	No
Conformance	CE, UKCA



**EYE LED surface-mounted wall light, IP65, 3CCT, switchable,
seawater-protected**
Article no. 10036183MC

Lighting technology	
Colour temperature	3.000 K / 4.000 K / 5.700 K
Light colour	white
Color Temperature 1	3,000 K
Light output	Direct
Luminous flux	1,000 lm
Luminous flux 1	1,000 lm
System efficiency	83 lm/W
Colour rendering	CRI > 80
Luminaire optics	Cover satin
Reflector	Without
Beam angle	110°
Light sharing	Symmetric
Adjustable color temperature	Stages

Operating technology of the luminaire	
System output	12 W
Voltage type	AC
AC nominal voltage max	230 V
Frequency max	50 Hz
Frequency min	50 Hz
Lamp	LED
Lamp holder	Without fitting
Protection class	I
Degree of protection	IP65
Ambient temperature	-20°C up to +45°C
Dimmable	No
Control	on/off
Bulb change possible	The light source of this luminaire may only be replaced by the manufacturer or a service technician commissioned by him or a similarly qualified person.
Rated life time L70/B50 at 25 °C	50,000 h
Energy efficiency class	not required

Mounting technology	
Mounting method	Surface mounting
Place of installation	Wall-mounted
Adjustability	Not adjustable
Impact resistance	IK10
Further references	Outdoor
Cover	Plastic, opal
Suitable for through-wiring	Yes

Packing data	
Gross weight	1.6 kg
Length of packaging	285 mm
Packaging width	280 mm
Packaging height	80 mm
Disposal at end of life	This product must not be disposed of with household waste. You are obliged, to dispose of such electrical waste separately. By disposing of electrical waste and other old or defective electronics separately, you support recycling or other forms of re-use. In that way you help to take care and to avoid that harmful substances get into the environment.