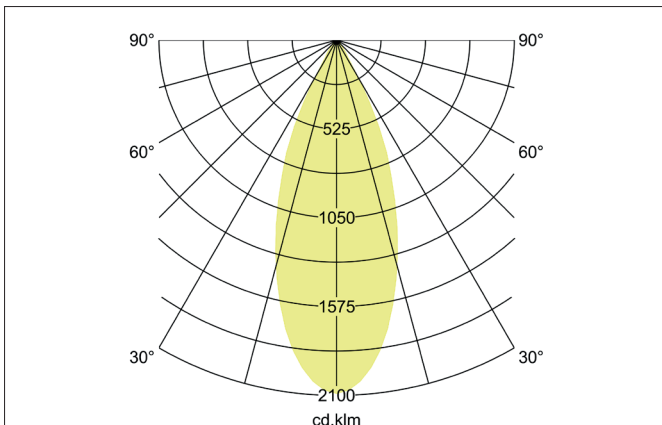
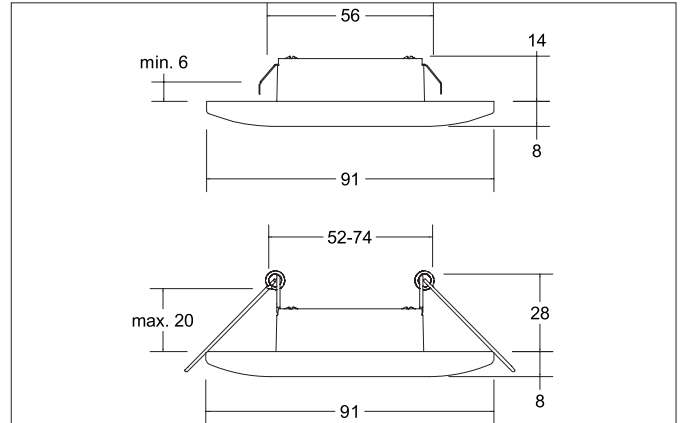
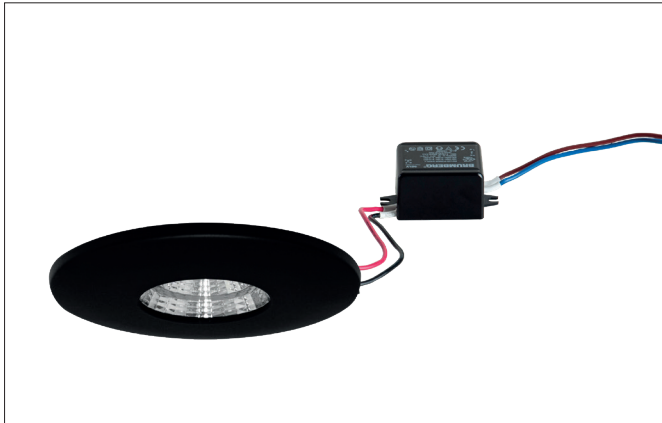


**ADAPT LED recessed downlight set, on/off switchable**  
 Article no. 38371083

Light.  
 For Generations.



**Tender**  
 LED recessed downlight set, on/off switchable, Round. Toolless ceiling installation by leaf spring. Ceiling cut-out Ø 56 mm, Installation depth 14 mm, Outer diameter 91 mm, Weight 0,173 kg, Reflector silver with rotationssymmetrical, deep, wide distributed light intensity. optimal light distribution due to a plastic, transparent cover. Luminous flux 440 lm, Power 1 x 3 W, System Efficiency 147 lm/W, Light colour warm white, Correlated color temprature (CCT) 3.000 K, Colour rendering index CRI > 80, Rated life time L70/B50 at 25 °C: 50000 h, Housing material: Aluminium / Steel / Plastic, Colour: Black, Permissible ambient temperature (ta): -20 °C - +25 °C, Protection class (EN 61140): II, Degree of protection (DIN EN 60529): IP20. With electronic driver, on/off switchable.

Article data	
Article no.	38371083
GTIN	4251433930099
Series name	ADAPT
Short description	LED recessed downlight set, on/off switchable
Material	Aluminium / Steel / Plastic
Colour	Black
Type of surface	Matt
Shape	Round
Outer diameter	91 mm
Built-in diameter	56 mm
Installation depth	14 mm
Hight	8 mm
Scope of delivery	Incl. built-in leaf springs for 56 mm cut-out with installation depth of 14 mm and built-in leg springs for 52 - 74 mm cut-out (enclosed for quick exchange) with installation depth of 28 mm.
Weight	0.173 kg

**ADAPT LED recessed downlight set, on/off switchable**

Article no. 38371083

Light.  
For Generations.

Lighting technology	
Colour temperature	3.000 K
Light output	Direct
Luminous flux	440 lm/m
System efficiency	147 lm/W
Colour rendering	CRI > 80
Reflector	High-gloss
Reflektorfarbe	silver
Beam angle	34°
Light sharing	Symmetric

Operating technology of the luminaire	
---------------------------------------	--

Operating technology of driver	
Width	30 mm
Hight	23 mm
AC nominal voltage min	100 V
AC nominal voltage max	240 V
Frequenz max.	50 Hz
Dimmable	No
Control	on/off
Starting current	30A
Power min	1 W
Power	4.2 W
Current	350 mA
Degree of protection	IP66
Protection class	II

Mounting technology	
Mounting method	Recessed mounting
Place of installation	Ceiling-mounted
Adjustability	Not adjustable
stamp	MM
Further references	No cover with thermal insulation material
Material cover	Plastic, transparent

Packing data	
Gross weight	0.204 kg
Length of packaging	105 mm
Packaging width	90 mm
Packaging hight	55 mm
Disposal at end of life	This product must not be disposed of with household waste. You are obliged, to dispose of such electrical waste separately. By disposing of electrical waste and other old or defective electronics separately, you support recycling or other forms of re-use. In that way you help to take care and to avoid that harmful substances get into the environment.