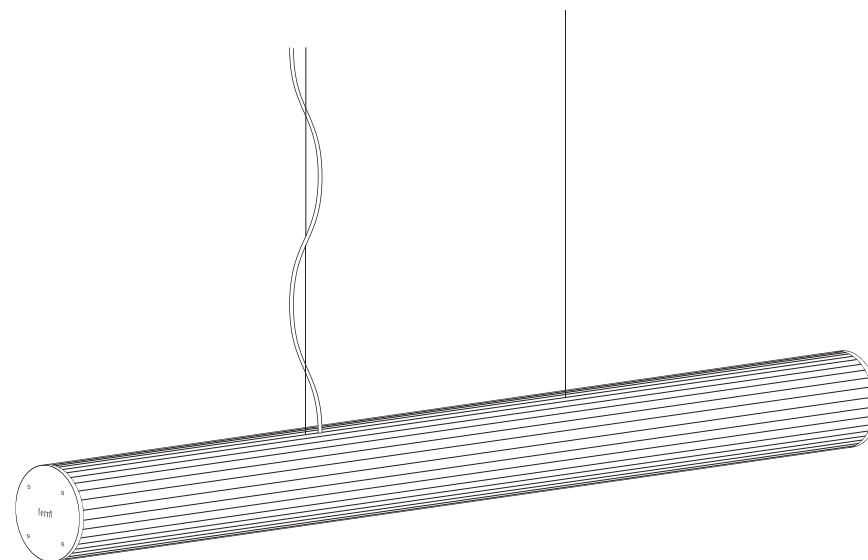


VUELTA PENDANT LAMP

ASSEMBLY MANUAL

fermliving.com



ferm
L I V I N G

GENERAL INSTRUCTIONS

Please read before installation

WARNING:

The safety of this fitting can only be guaranteed if the following instructions are observed during both installation and use. Please retain these instructions safely after installation.

Please observe the following guidelines:

- Ensure that the power supply has been switched off prior to installation or removal of the product.
- Never undertake an electrical installation without the proper knowledge or training. If not familiar with electrical wiring, contact a qualified electrician.
- The product may in no way be modified or tampered with. Any modification may compromise safety and make the product itself dangerous to use. ferm LIVING does not accept any responsibility for products that have been modified.
- The light source in this product cannot be replaced.
- This product is meant for indoor use only.
- This appliance should not be disposed in a domestic trash receptacle and should instead be recycled appropriately.

CLEANING INSTRUCTIONS:

- Use only a soft cloth to clean the product. Dampen the cloth with water and soap or a mild cleanser if needed.

MORE INFORMATION:

To access further information such as product overview and material descriptions, please visit our website at www.fermliving.com. If you have any questions or comments, please do not hesitate to contact us at info@fermliving.com.

TECHNICAL SPECIFICATIONS

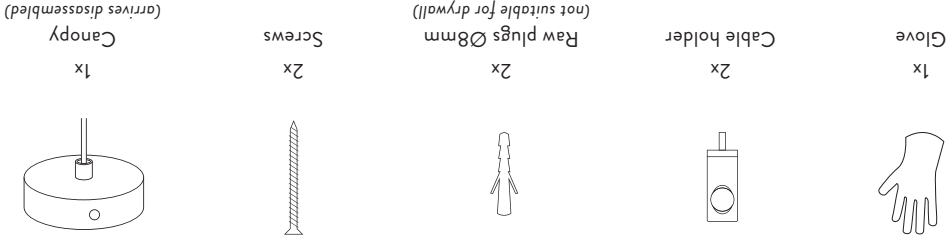
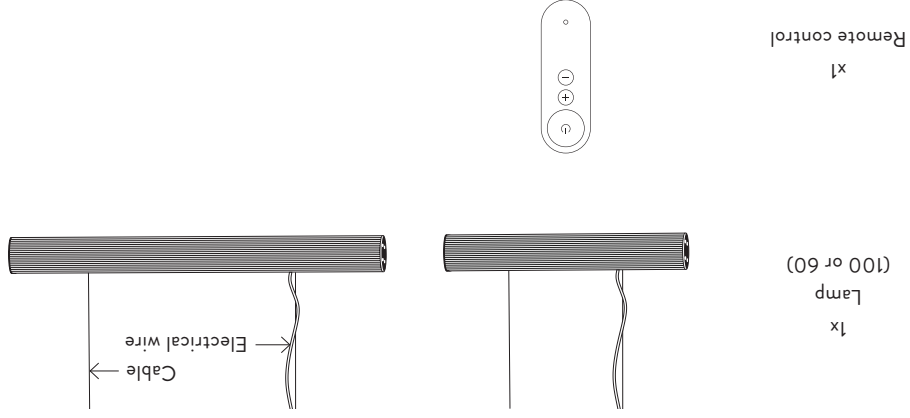
VUELTA PENDANT 100

Rated Power:	30w
Lumen output at maximum:	2400lm
CCT:	3000k
CRI:	>90
Rated Voltage:	230V
Frequency:	50Hz
Certification:	CE/LVD/EMC/ROHS
Standard:	Dali implementation following EN62386-102 standard
Gift box Dimension:	1100x181x174mm
Cable lenght:	6m
Electrical wire lenght:	5m

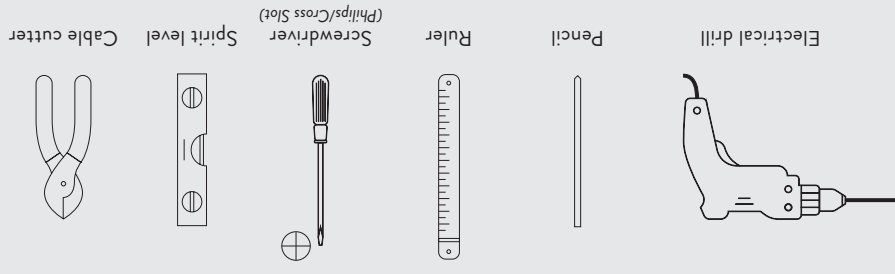
VUELTA PENDANT 60

Rated Power:	20w
Lumen output at maximum:	1600lm
CCT:	3000k
CRI:	>90
Rated Voltage:	230V
Frequency:	50Hz
Certification:	CE/LVD/EMC/ROHS
Standard:	Dali implementation following EN62386-102 standard
Gift box Dimension:	700x181x174mm
Cable lenght:	6m
Electrical wire lenght:	5m

BOX CONTENTS



NEEDED TOOLS



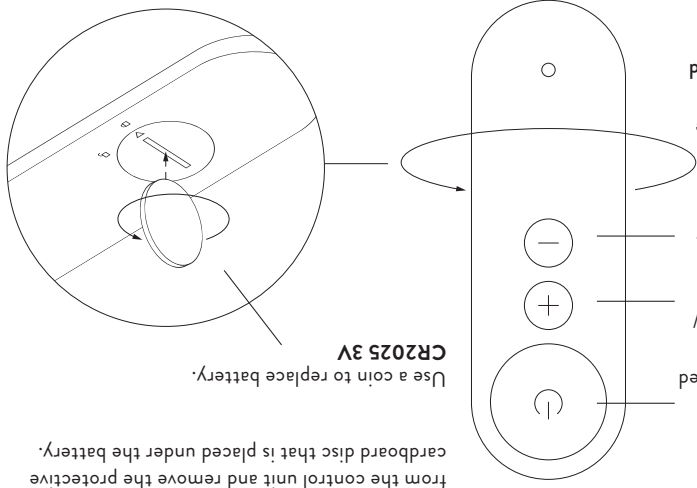
4

HOW TO USE THE REMOTE CONTROL

7.

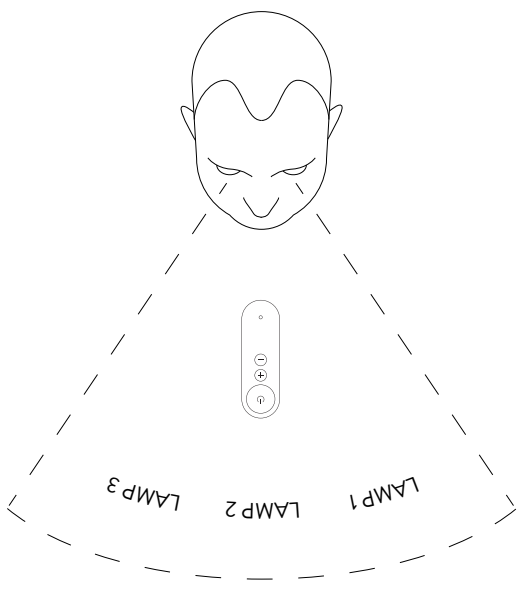
Before using the remote, please remove the battery from the control unit and remove the protective cardboard disc that is placed under the battery.

Use a coin to replace battery.
CR2025 3V



Please note: If you use the wall switch to turn the lamp on and off, the lamp will return to the last saved brightness level. If the pendant is connected to a Dalí bus, the remote is automatically deactivated.

REMOTE CONTROL PAIRING



This pairing operation is not required unless you want to control multiple lamps (max 3 lamps) with the same remote control, or you need to reset your remote.

How to Pair:

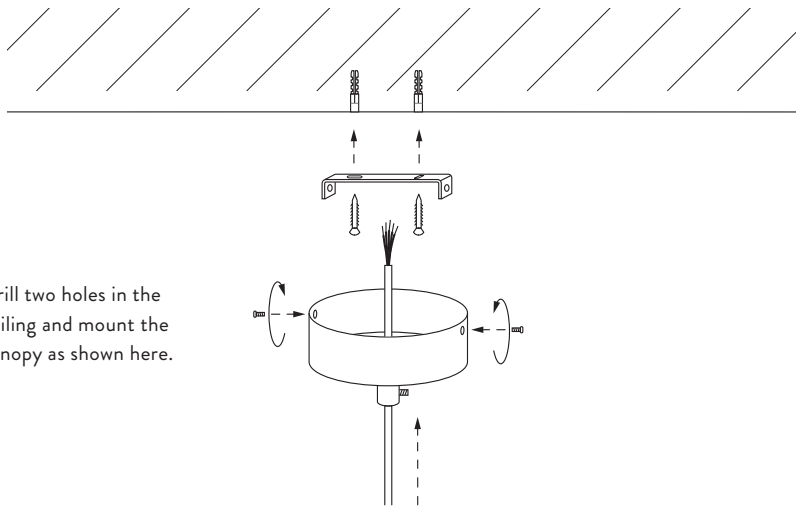
1. Turn off the lamp's power at its electrical power supply.
2. Turn it on again. In the first 10 seconds, push the following sequence of buttons: on/off, +, -, the pairing has been done successfully, the lamp will flicker 3 times.

9

CANOPY INSTALLATION

Optional

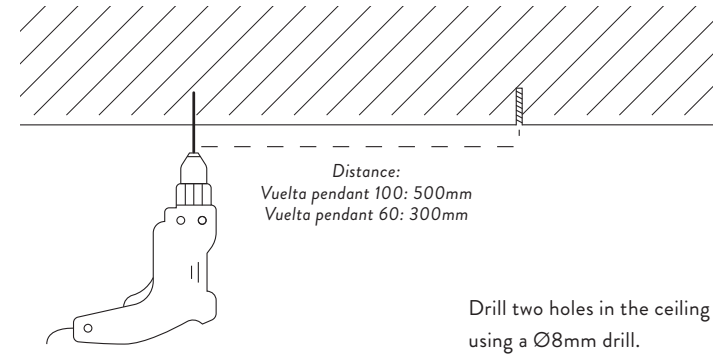
6.



Drill two holes in the ceiling and mount the canopy as shown here.

ASSEMBLY PROCESS

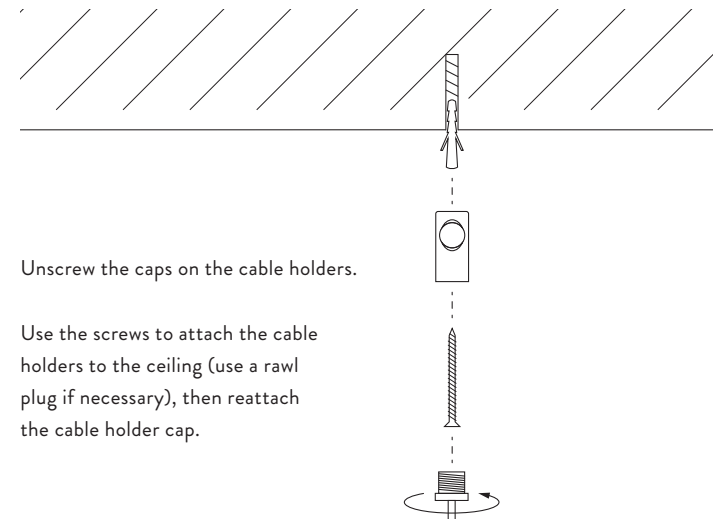
1.



Distance:
Vuelta pendant 100: 500mm
Vuelta pendant 60: 300mm

Drill two holes in the ceiling using a Ø8mm drill.

2.

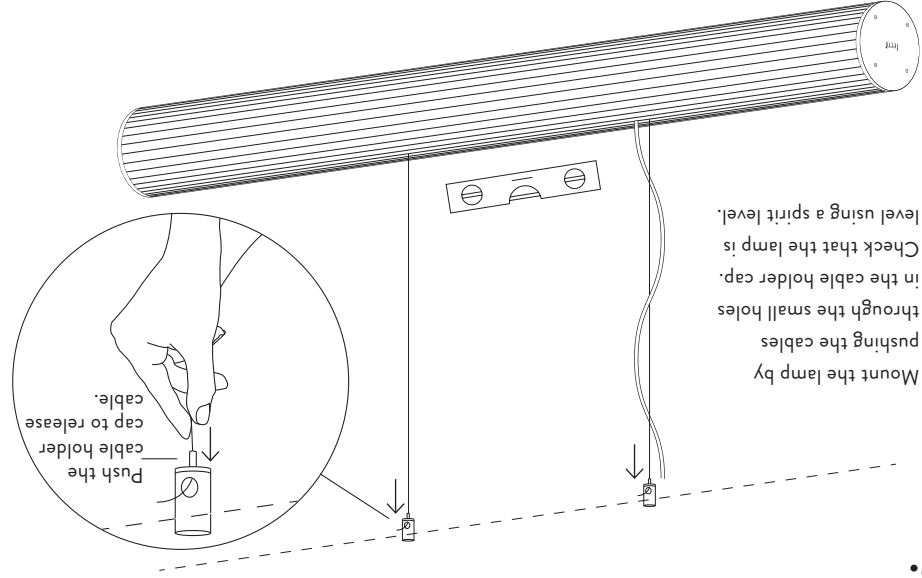


Unscrew the caps on the cable holders.

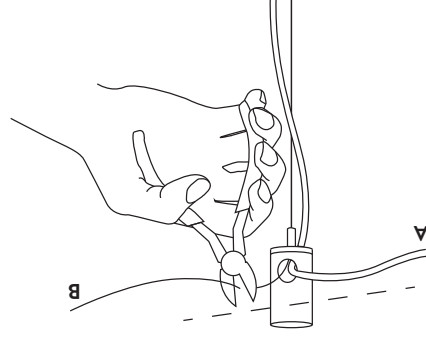
Use the screws to attach the cable holders to the ceiling (use a rawl plug if necessary), then reattach the cable holder cap.

ASSEMBLY PROCESS

3.



6

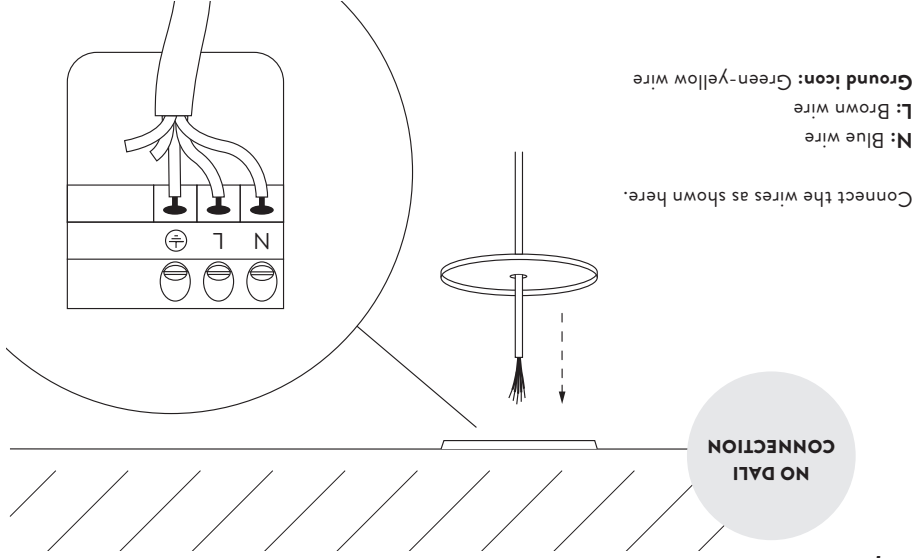


4.

5. Option A

ELECTRICAL INSTALLATION

Turn your power off during installation



5. Option B

