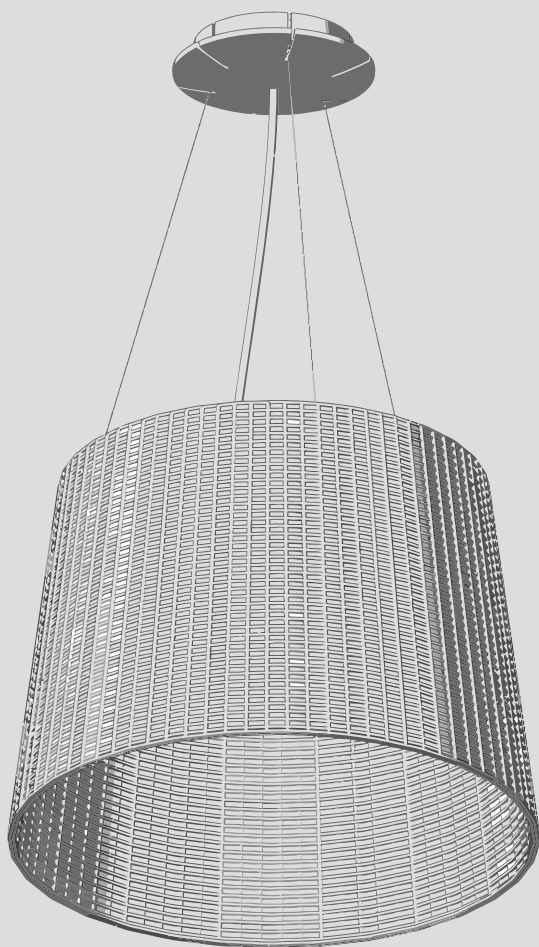


# Artemide®

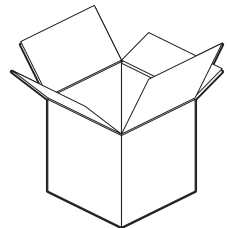
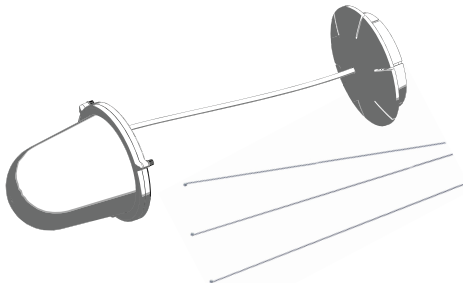
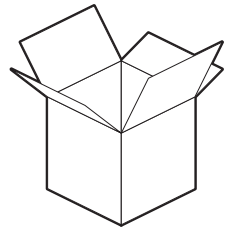
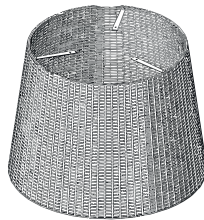
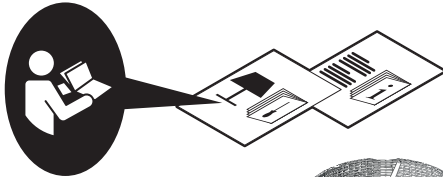
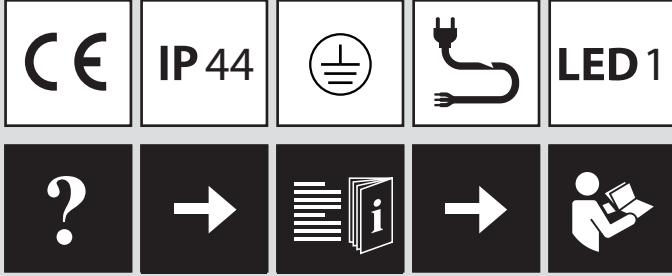
## TOLOMEO SOSPENSIONE OUTDOOR PARALUME

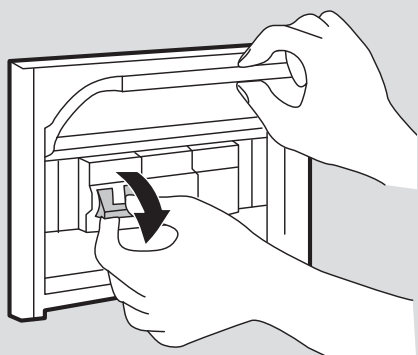
design  
M. De Lucchi  
G. Fassina



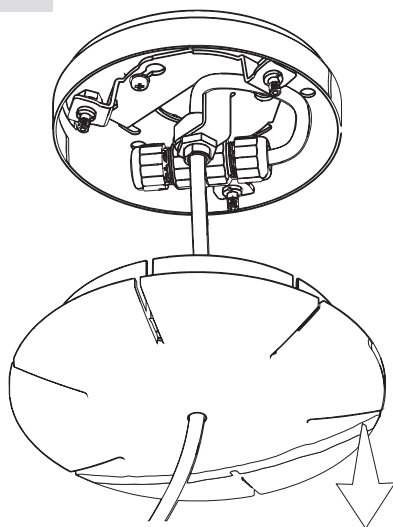


i

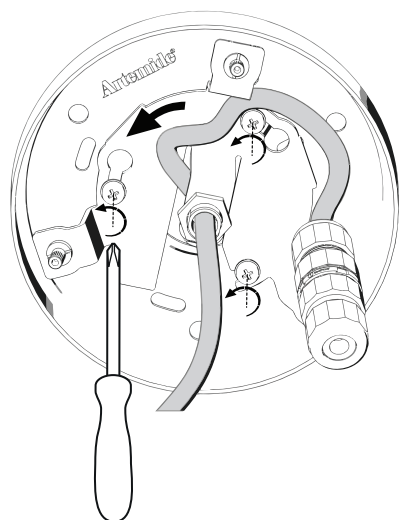




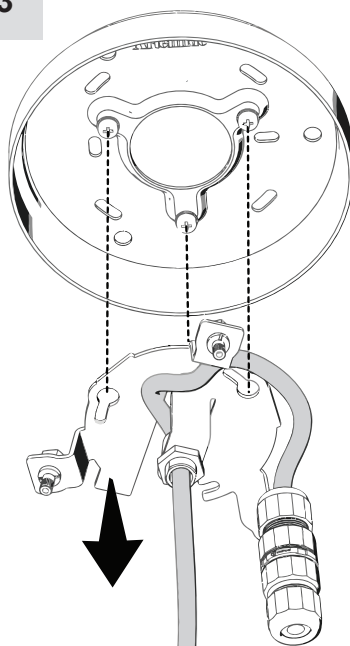
1



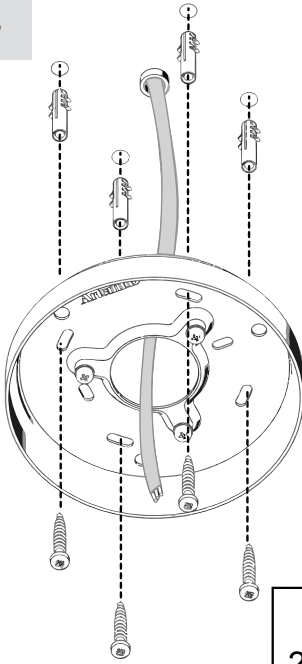
2



3

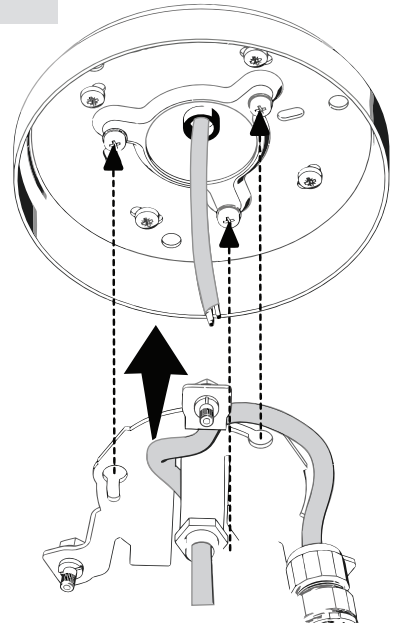


4

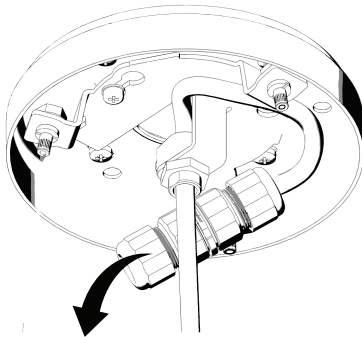


2,2kg

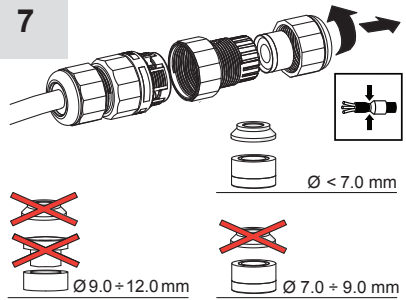
5



6

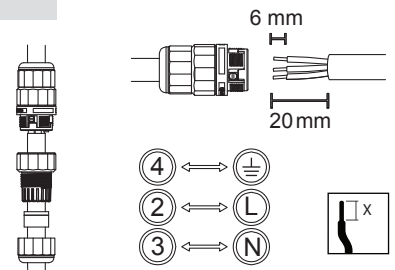


7

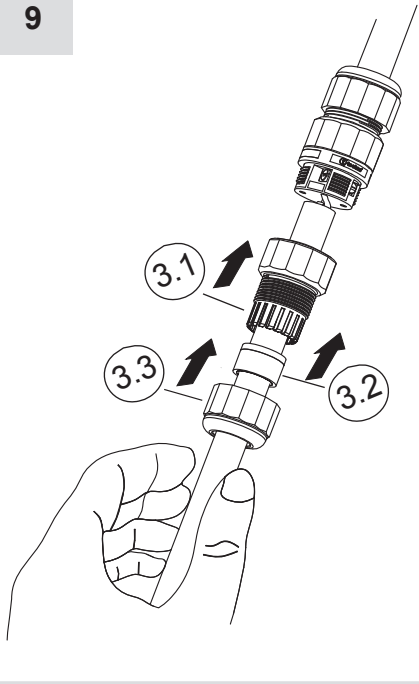


8

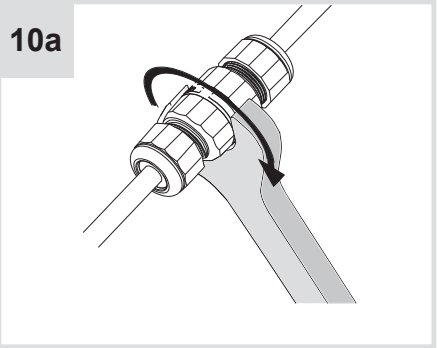
Input 220 - 240 Vac



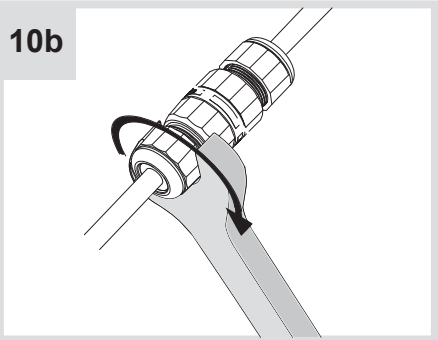
9



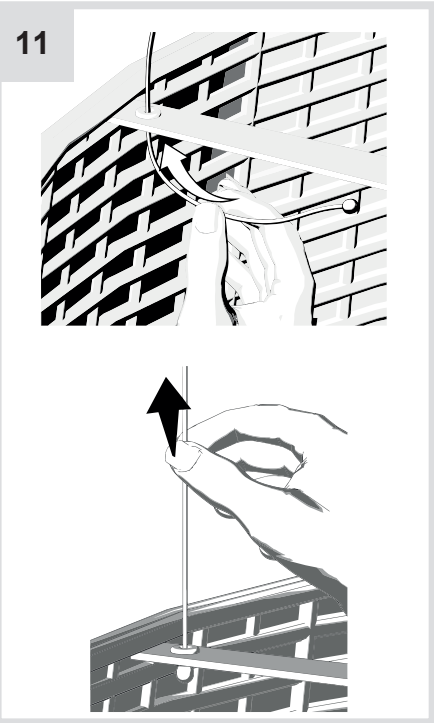
10a



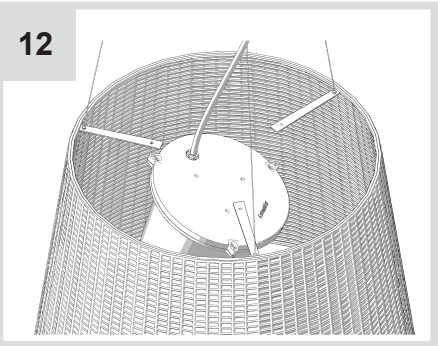
10b



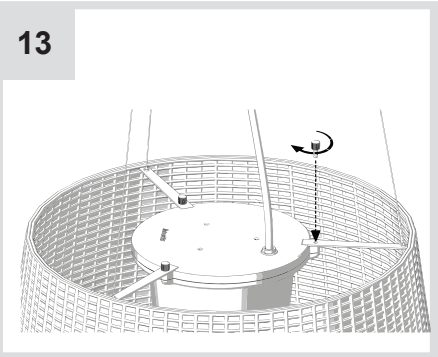
11

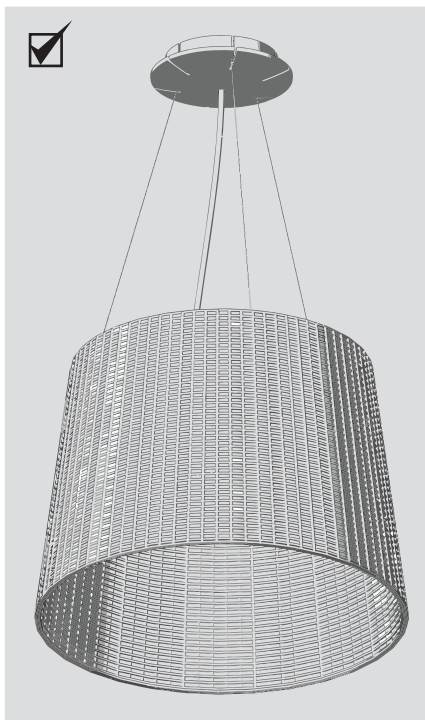
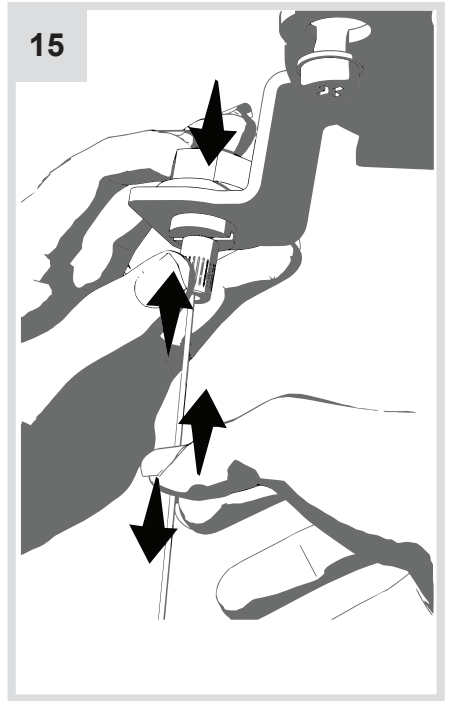
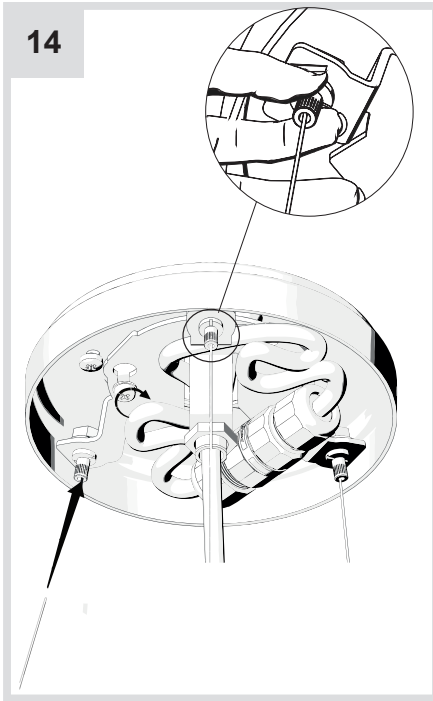


12

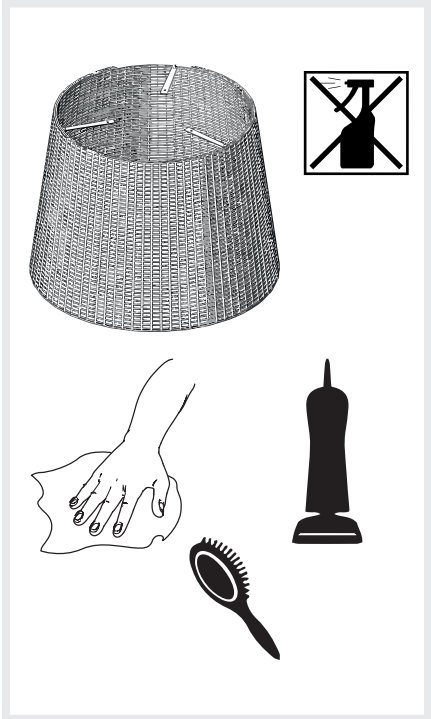
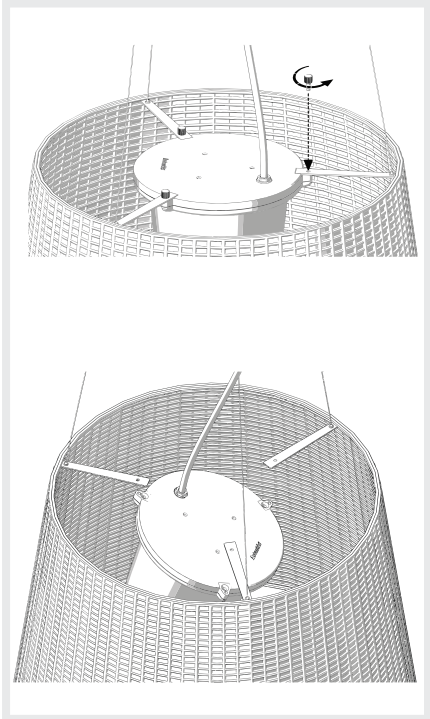


13





i



**Artemide**<sup>®</sup>  
ARCHITECTURAL



## **Artemide Spa**

via Bergamo, 18  
20010 Pregnana M.se (MI)  
ITALIA

Tel. +39 02 935 181  
Fax +39 02 935 90 254  
Fax +39 02 935 90 496

[www.artemide.com](http://www.artemide.com)

VAT IT00846890150

cod. Y513000500