

# Soscik, Classic form, *Modern look.*

design Nicolas Terzani  
terzani.com



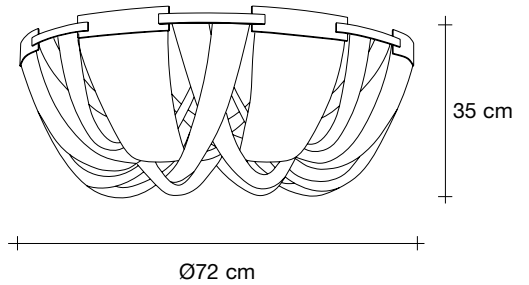
Body |

**Type |**  
ceiling lamp

**Materials |**  
metal



**Finishes | Code**

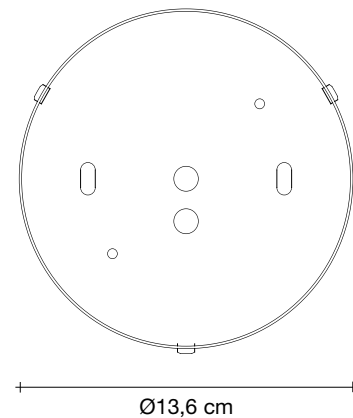
-  Nickel  
OG60L H4 C8
-  Bronze  
OG60L F7 C8
-  Gold  
OG60L L8 C8



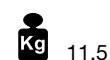
**Recommended Light | Canopy |**

230-240V ~ 50/60Hz

-  LED  
8 x 3,5W G9
-  Dimmable with  
all systems



Reinventing the classics. With Soscik, Terzani combines traditional, artisan techniques with cutting edge technology to give the traditional chandelier a modern update. Created by interlacing metal chain over a nickel-plated frame, Soscik creates a dramatic and romantic effect, while still being able to compliment today's modern luxury. Available as a chandelier or a ceiling lamp, soscik proves that modern design does not have to sacrifice luxury. Design Nicolas Terzani.



77cm x 77cm x 30cm

# Soscik, Classic form, *Modern look.*

design Nicolas Terzani  
terzani.com






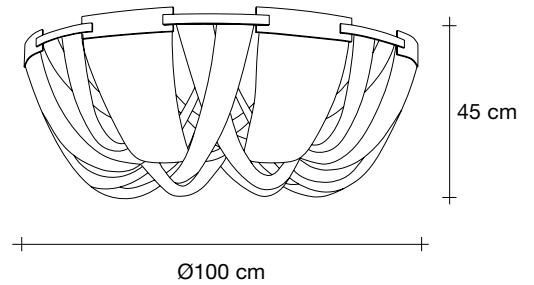
Body |

**Type |**  
ceiling lamp

**Materials |**  
metal

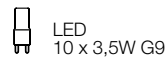
**Finishes | Code**

-  Nickel  
OG61L H4 C8
-  Bronze  
OG61L F7 C8
-  Gold  
OG61L L8 C8

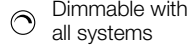


**Recommended Light |**

230-240V ~ 50/60Hz

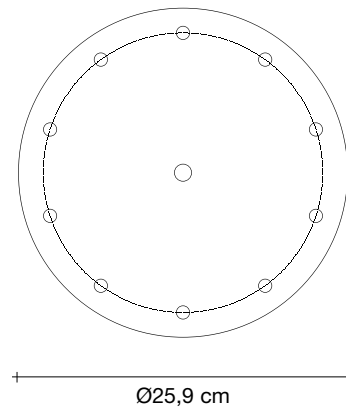


LED  
10 x 3,5W G9



Dimmable with  
all systems

**Canopy |**



Reinventing the classics. With Soscik, Terzani combines traditional, artisan techniques with cutting edge technology to give the traditional chandelier a modern update. Created by interlacing metal chain over a nickel-plated frame, Soscik creates a dramatic and romantic effect, while still being able to compliment today's modern luxury. Available as a chandelier or a ceiling lamp, soscik proves that modern design does not have to sacrifice luxury. Design Nicolas Terzani.



75



36



115cm x 115cm x 66cm

# Soscik, Classic form, *Modern look.*

design Nicolas Terzani  
terzani.com






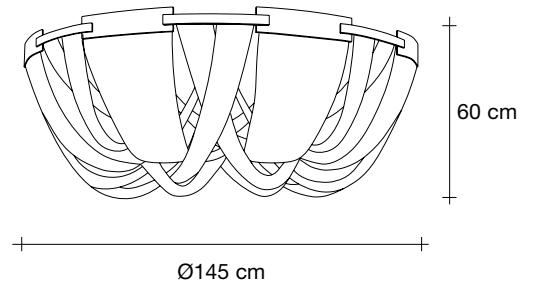
Body |

**Type |**  
ceiling lamp

**Materials |**  
metal



**Finishes | Code**

-  Nickel  
OG62L H4 C8
-  Bronze  
OG62L F7 C8
-  Gold  
OG62L L8 C8

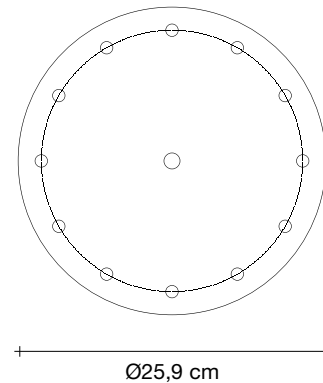


**Recommended Light |**

230-240V ~ 50/60Hz

-  LED  
12 x 3,5W G9
-  Dimmable with  
all systems

**Canopy |**



Reinventing the classics. With Soscik, Terzani combines traditional, artisan techniques with cutting edge technology to give the traditional chandelier a modern update. Created by interlacing metal chain over a nickel-plated frame, Soscik creates a dramatic and romantic effect, while still being able to compliment today's modern luxury. Available as a chandelier or a ceiling lamp, soscik proves that modern design does not have to sacrifice luxury. Design Nicolas Terzani.



122



65



160cm x 160cm x 79cm

# Soscik, Classic form, *Modern look.*

design Nicolas Terzani  
terzani.com



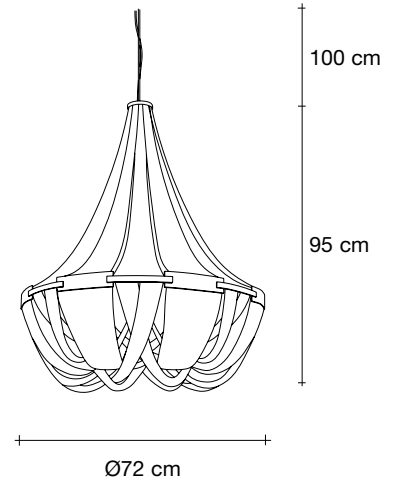
Body |

**Type |**  
suspension

**Materials |**  
metal



**Finishes | Code**

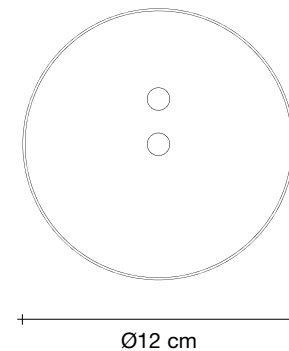
-  Nickel  
OG55S H4 C8
-  Bronze  
OG55S F7 C8
-  Gold  
OG55S L8 C8



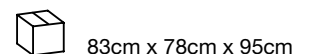
**Recommended Light | Canopy |**

230-240V ~ 50/60Hz

-  LED  
8 x 3,5W G9
-  Dimmable with  
all systems



Reinventing the classics. With Soscik, Terzani combines traditional, artisan techniques with cutting edge technology to give the traditional chandelier a modern update. Created by interlacing metal chain over a nickel-plated frame, Soscik creates a dramatic and romantic effect, while still being able to compliment today's modern luxury. Available as a chandelier or a ceiling lamp, soscik proves that modern design does not have to sacrifice luxury. Design Nicolas Terzani.





# Soscik, Classic form, *Modern look.*

design Nicolas Terzani  
terzani.com




**TERZANI**  
LA LUCE PENSATA



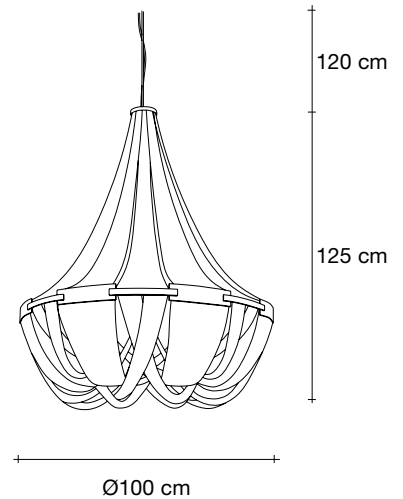
**Type |**  
suspension

**Materials |**  
metal

**Finishes | Code**



-  Nickel  
OG56S H4 C8
-  Bronze  
OG56S F7 C8
-  Gold  
OG56S L8 C8

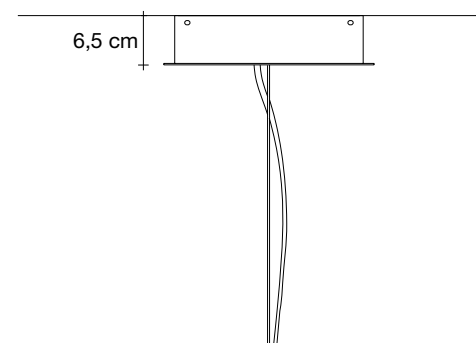
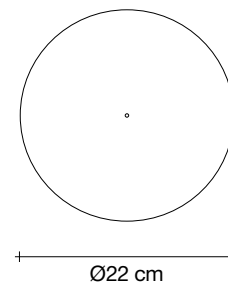
Body |



**Recommended Light | Canopy |**

230-240V ~ 50/60Hz

-  LED  
12 x 3,5W G9
-  Dimmable with  
all systems



Reinventing the classics. With Soscik, Terzani combines traditional, artisan techniques with cutting edge technology to give the traditional chandelier a modern update. Created by interlacing metal chain over a nickel-plated frame, Soscik creates a dramatic and romantic effect, while still being able to compliment today's modern luxury. Available as a chandelier or a ceiling lamp, soscik proves that modern design does not have to sacrifice luxury. Design Nicolas Terzani.



155



65



115cm x 115cm x 184cm

# Soscik, Classic form, *Modern look.*




design Nicolas Terzani  
terzani.com



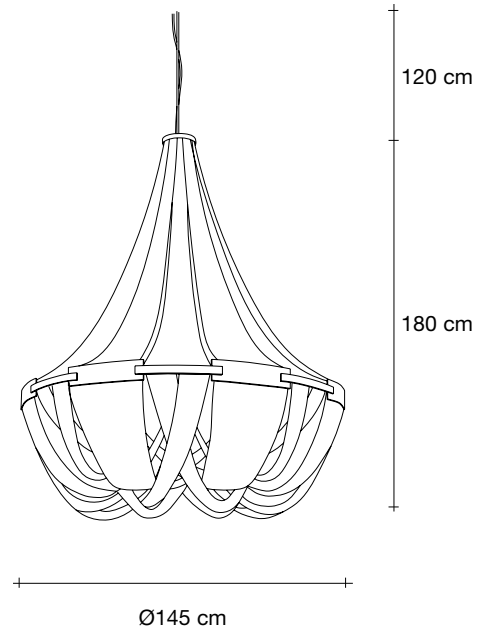
**Type |**  
suspension

**Materials |**  
metal

**Finishes | Code**



-  Nickel  
OG57S H4 C8
-  Bronze  
OG57S F7 C8
-  Gold  
OG57S L8 C8

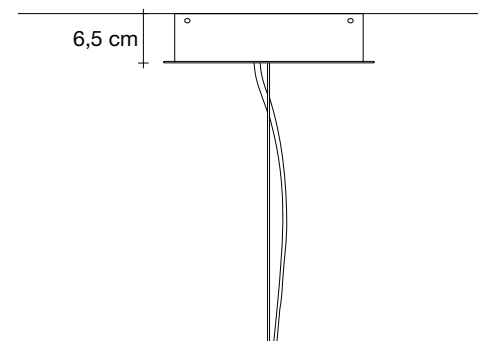
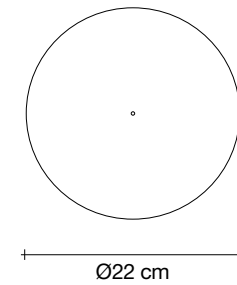
Body |



**Recommended Light | Canopy |**

230-240V ~ 50/60Hz

-  LED  
14 x 3,5W G9
-  Dimmable with  
all systems



Reinventing the classics. With Soscik, Terzani combines traditional, artisan techniques with cutting edge technology to give the traditional chandelier a modern update. Created by interlacing metal chain over a nickel-plated frame, Soscik creates a dramatic and romantic effect, while still being able to compliment today's modern luxury. Available as a chandelier or a ceiling lamp, soscik proves that modern design does not have to sacrifice luxury. Design Nicolas Terzani.



387



133



185cm x 185cm x 224cm