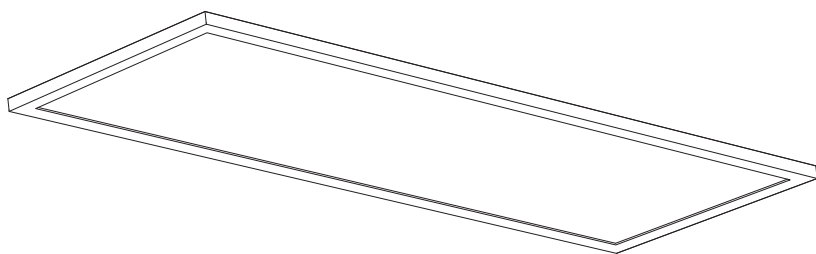
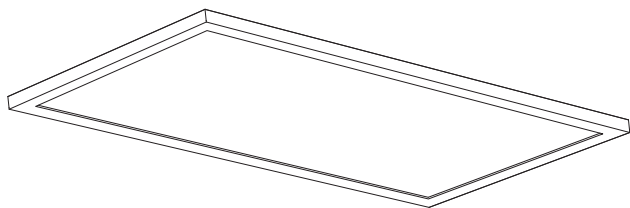
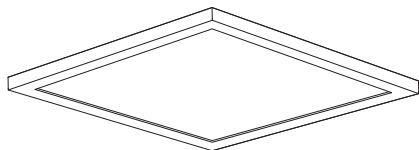




## SMART<sup>+</sup> PLANON PLUS



	EAN	W	lm	K	° (°C)	V~	mA	Hz	PF
SMART WIFI PLANON PLUS 30X30 TW	4058075525313	20	1500	3000-6500	-20...+40	220-240	110	50/60	>0.9
SMART WIFI PLANON PLUS 45X45 TW	4058075525337	28	2000	3000-6500	-20...+40	220-240	170	50/60	>0.9
SMART WIFI PLANON PLUS 60X30 TW	4058075525368	22	1600	3000-6500	-20...+40	220-240	140	50/60	>0.9
SMART WIFI PLANON PLUS 60X60 TW	4058075525382	36	3000	3000-6500	-20...+40	220-240	200	50/60	>0.9
SMART WIFI PLANON PLUS 120X30 TW	4058075525405	36	2700	3000-6500	-20...+40	220-240	200	50/60	>0.9

1x **1120 g**  
4058075525313

2x 2x **1970 g**  
4058075525337

---

1x **3520 g**  
4058075525382

**2040 g**  
4058075525368

**3270 g**  
4058075525405

4x 4x

mm

	L	W	H
300X300 4058075525313	300	300	56
450X450 4058075525337	450	450	56
600X600 4058075525382	595	595	56
600X300 4058075525368	595	300	56
1200X300 4058075525405	1200	300	56

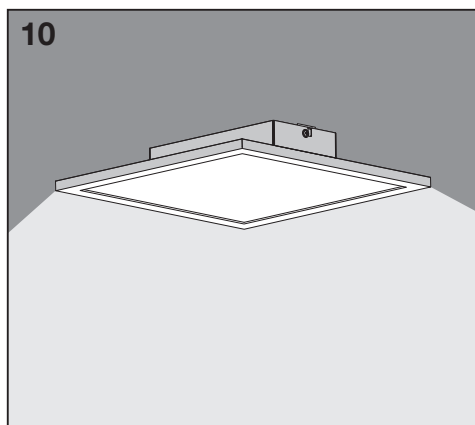
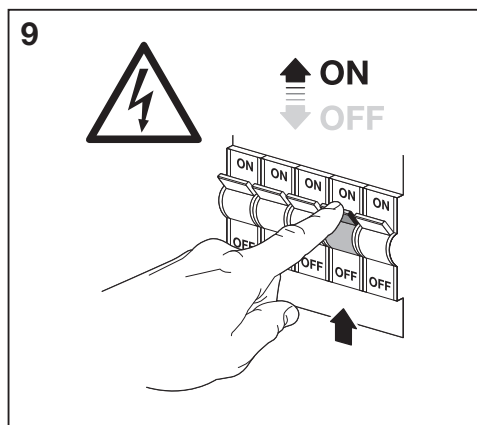
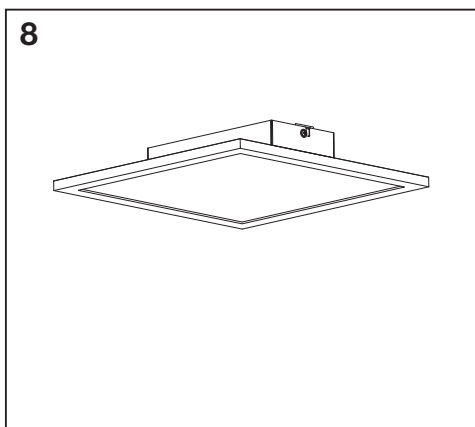
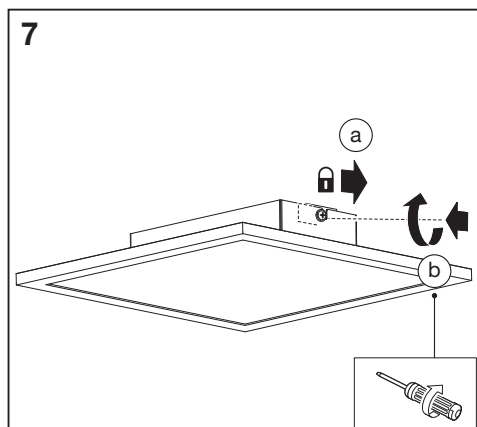
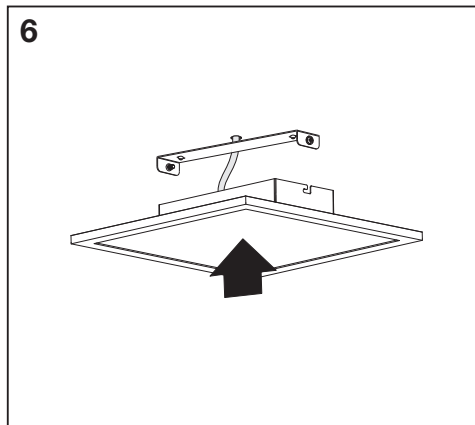
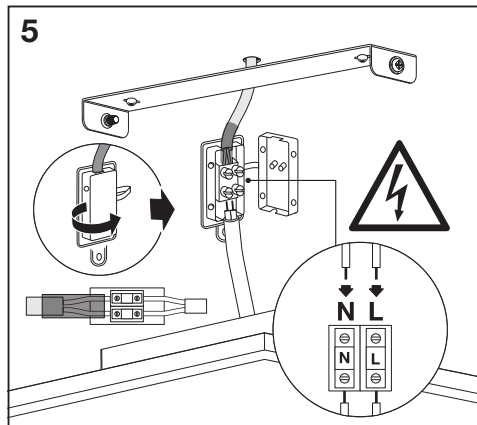
1






↑ ON  
↓ OFF

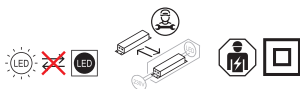
2

3

4



	EAN	This product contains a light source of energy efficiency class	Contained Light Source
SMART WIFI PLANON PLUS 30X30 TW	4058075525313	F	
SMART WIFI PLANON PLUS 45X45 TW	4058075525337	F	
SMART WIFI PLANON PLUS 60X30 TW	4058075525368	F	
SMART WIFI PLANON PLUS 60X60 TW	4058075525382	E	
SMART WIFI PLANON PLUS 120X30 TW	4058075525405	E	



C10449057  
G11120670  
20.05.2021



LEDVANCE GmbH  
Steinerne Furt 62  
86167 Augsburg, Germany  
[www.ledvance.com](http://www.ledvance.com)