

**\*DLS**  
LIGHTING

INPUT: 220-240V ~ 50/60Hz CLASS I ⊕

LAMP-HOUSE: LED-18x0.3W

MATERIAL: ALUMINIUM

IP54



### INSTALLATION INSTRUCTION

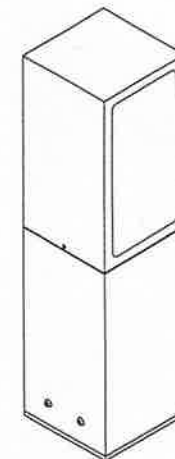
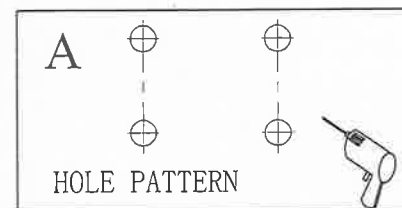
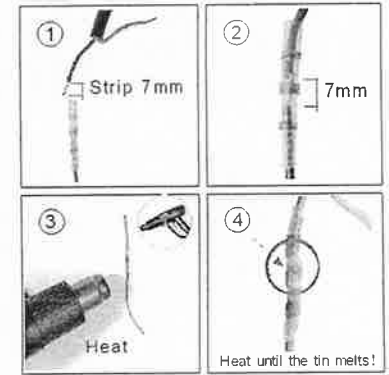
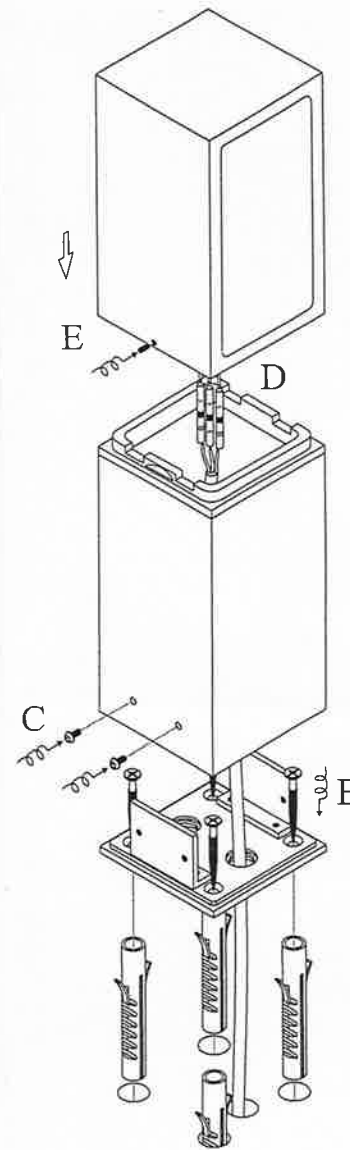
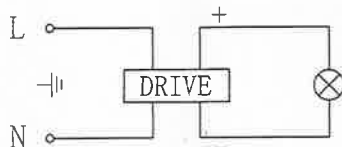
- Before installing, make sure the power supply is switched off.
- Follow the steps as the figure for installation or replacement of bulb  
Step.
  - holing and pull out the wires
  - fix the expansion bolts into the ground.
  - fix the lamp stand to the base plate.
  - connect the wires by waterproof connectors.
  - fix the head of lamp to the lamp stand.
- After finishing every step, tighten the screws, have the fixture fixed, and then connect the power supply.

### CLEANING INSTRUCTION

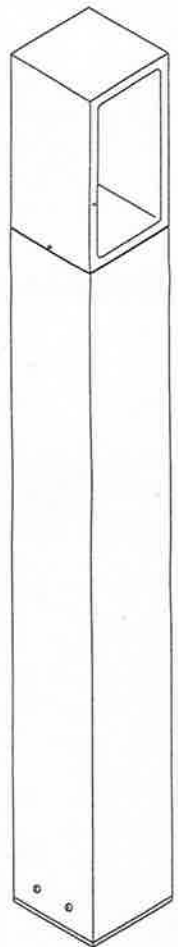
- Before cleaning, ensure that the power supply is switched off.
- Use only a soft cloth to clean the lamp, dampened with mild cleanser if needed for resistant dirt.
- Warning: do not use alcohol or other solvents

### CAUTION:

In case of any doubt, please contact the qualified electrician.



D834



D833