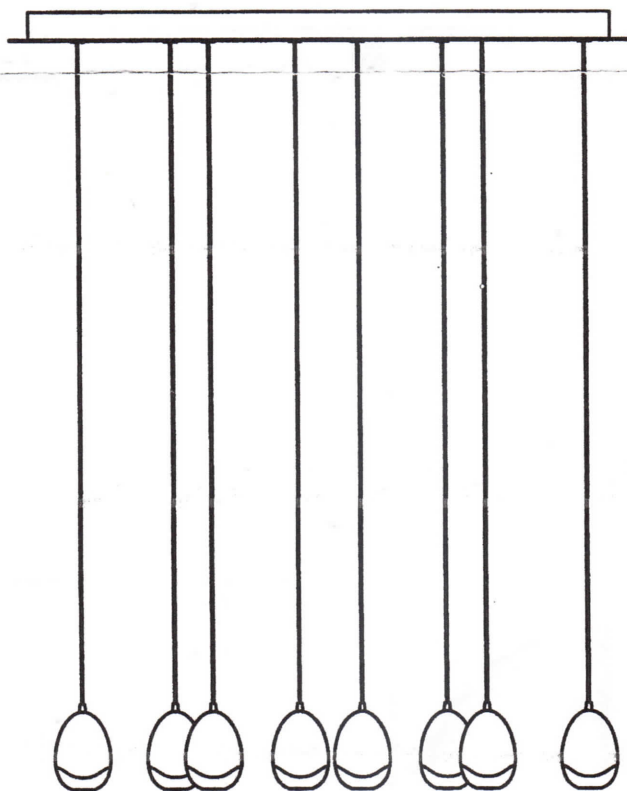


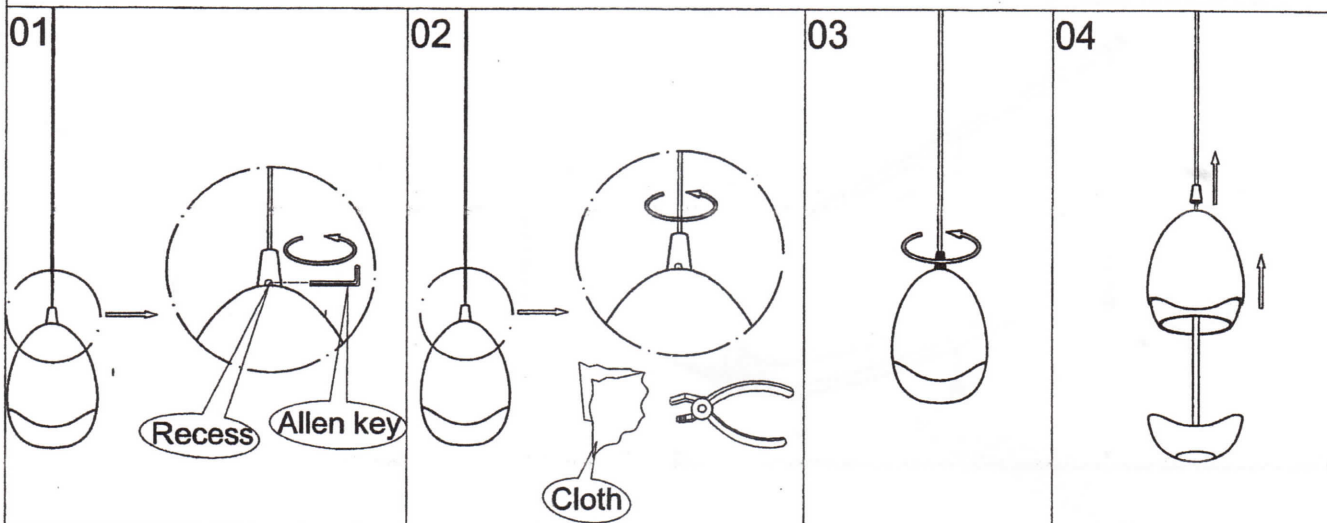
H5452. 01 H5452. 20



1. This light fitting operates at a normal supply voltage of 230V
2. When changing the bulb or fuses, always switch off at the mains and allow the old bulb to cool down before handling.

How to clean the inside of glass

Step A: Disassemble the head



Step B: Wipe the inner surface of glass with soft clean dry cloth gently

Step C: Reassemble the head

