

TRIANA + TRIANA_ACCESSORIOS

JOAN CINCA
& DENNIS
PARK
2018



TRIANA

JOAN CINCA
& DENNIS
PARK
2018



CARPYEN
BARCELONA SINCE 1948

Carpyellum70 S.L.
C/ Pere IV 78-84 E-08005 Barcelona
T +34 93 320 99 90

Spain: comercial@carpyen.com
Export: export@carpyen.com
Special project: antony@carpyen.com

TRIANA



CARPYEN
BARCELONA SINCE 1948

Carpyellum70 S.L.
C/ Pere IV 78-84 E-08005 Barcelona
T +34 93 320 99 90

Spain: comercial@carpyen.com
Export: export@carpyen.com
Special project: antony@carpyen.com

TRIANA

Materiales / Materials
Matériaux / Matters

Estructura: metal
Structure: metal
Structure: métal
Struktur: Metall



Acabados / Finishes
Finitions / Ausführung



Blanco
White
Blanc
Weiss



Níquel mate
Matt nickel
Nickel mat
Nickel matt



Oro
Satin gold
Or
Gold



Negro
Black
Noir
Schwarz

Accesorios / Accessories
Accessoires / Zubehör

Doble / Double / Double
Doppel

Triple / Triple / Triple / Triple

Triple circular / Triple circular
Circulaire triple / Dreifaches
kreis

LED

Medidas / Measures
Measurements / Mittengun

GU10 10 W 3000 K
900 Lumen

Dimerizable bajo pedido
Dimming upon request
Dimmable sur demande
Dimmen auf Anfrage

Ø 8 cm / 3.1"



15 cm /
5.9"

Ø 6 cm / 2.3"



CARPYEN
BARCELONA SINCE 1948

Carpyllum70 S.L.
C/ Pere IV 78-84 E-08005 Barcelona
T +34 93 320 99 90

Spain: comercial@carpyen.com
Export: export@carpyen.com
Special project: antony@carpyen.com

TRIANA

_ACCESORIOS

JOAN CINCA
& DENNIS
PARK
2020



TRIANA_ACCESORIOS



CARPYEN
BARCELONA SINCE 1948

Caryellum70 S.L.
C/ Pere IV 78-84 E-08005 Barcelona
T +34 93 320 99 90

Spain: comercial@carpyen.com
Export: export@carpyen.com
Special project: antony@carpyen.com

TRIANA_ACCESORIOS



CARPYEN
BARCELONA SINCE 1948

Carpylum70 S.L.
C/ Pere IV 78-84 E-08005 Barcelona
T +34 93 320 99 90

Spain: comercial@carpyen.com
Export: export@carpyen.com
Special project: antony@carpyen.com

TRIANA_ACCESORIOS



CARPYEN
BARCELONA SINCE 1948

Caryellum70 S.L.
C/ Pere IV 78-84 E-08005 Barcelona
T +34 93 320 99 90

Spain: comercial@carpyen.com
Export: export@carpyen.com
Special project: antony@carpyen.com

TRIANA_ACCESORIOS

Materiales / Materials
Matériaux / Matters

Accesorios / Accessories
Accessoires / Zubehör

Paneles / Panels
Panneaux / Platten

Estructura: metal
Structure: metal
Structure: métal
Struktur: Metall

Paneles: madera
Panels: wood
Panneaux: bois
Platten: Holz

Triple lineal / Triple linear
Triple linéaire / Lineares
Dreifach / Triple circular
Triple circular / Circulaire
triple / Dreifaches kreis
Lineal recto / Linear straight
linéaire droit / gerade linear
Lineal zig-zag / Linear
zig-zag / Linéaire zig-zag
Linearer Zick-Zack

Plafón circular 3, 5, 7, 9, 11
o 15 lámparas / Circular
canopy 3, 5, 7, 9, 11 or 15
lamps / Pavillon circulaire
de 3, 5, 7, 9, 11 ou 15
lampes / Runde Deckenleuchte 3, 5,
7, 9, 11 oder 15 Lampen



Roble natural
Natural oak
Chêne
Natürliche Eiche



Blanco
White
Blanc
Weiss

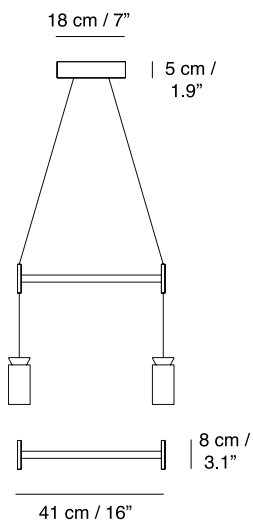


Negro
Black
Noir
Schwarz

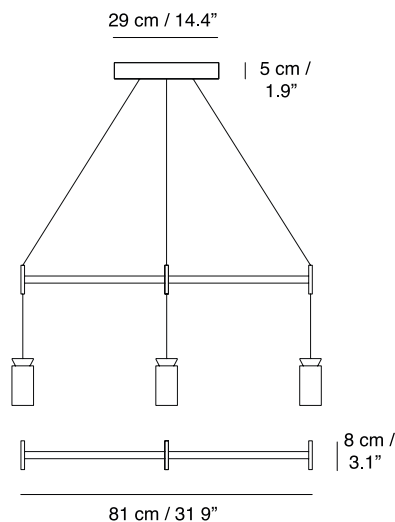


Medidas / Measures Measurements / Mittengun

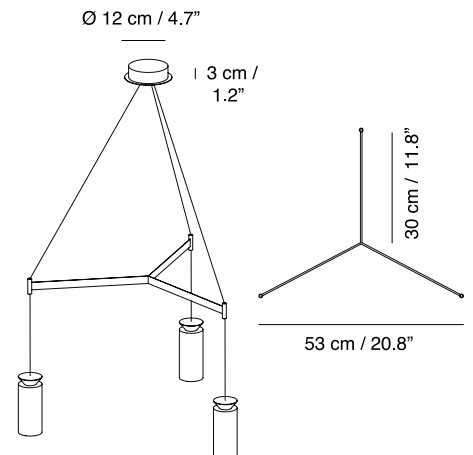
Doble / Double / Double Doble



Triple



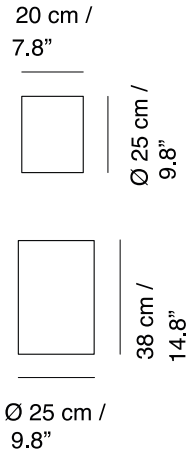
Triple circular / Triple circular Circulaire triple / Dreifaches kreis



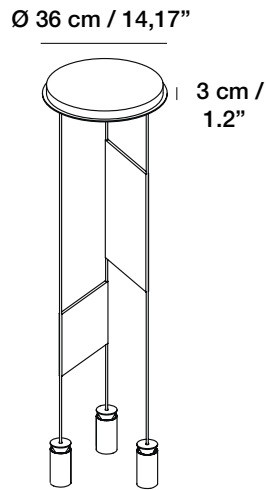
TRIANA_ACCESORIOS

Medidas / Measures
Measurements / Mittengun

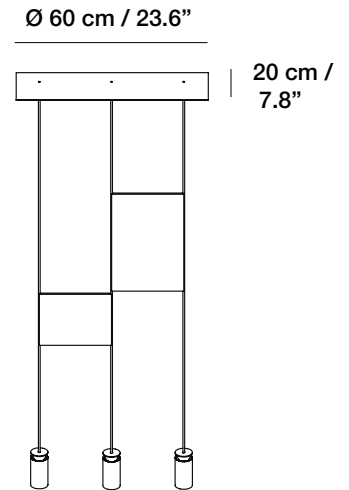
Paneles de madera
Wood panels



Plafón circular A3
Circular canopy A3

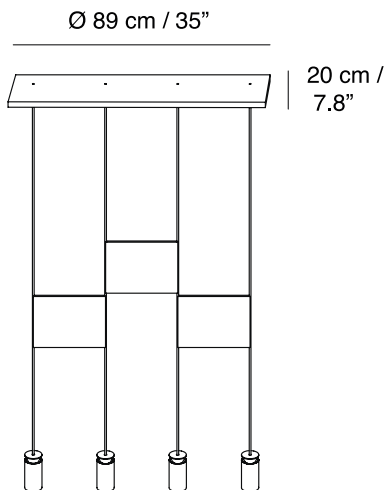


Triple lineal B3
Linear triple B3



Medidas / Measures
Measurements / Mittengun

Lineal recto B4
Linear straight B4



Lineal zig-zag C4
Linear zig-zag C4

