

Safety instructions

Important! Before commencing installation work disconnect the main cable from the power supply - remove fuse or turn switch to "OFF"!

1. Installation should be carried out in accordance with the local safety regulations.
2. In order to prevent damage, please check walls for cables before drilling holes.
3. Please ensure that all electrical connections (even preassembled lamps) are screwed tightly or are fully inserted as good contact is essential for a long life-span at high currents. Please check for tight connections after changing or adjusting lamps. Screwed connections must be tightened after 20 minutes.
4. Please do not place objects on your system (e.g. for decorative purposes) if they were not delivered with the system.
5. The lamps get very hot when in use. Please allow lamps to cool down before touching.
6. Do not change lamps or spots when switched on.
7. System should not be enlarged with additional lamps.
8. Use of a dimmer is highly recommended. Dimmer must be compatible with type of bulb.
9. To avoid greasy fingerprints it is recommended to wear white cotton gloves when handling visible metal and glass parts.
10. If the external flexible cable or cord of this luminaire is damaged, it shall be exclusively replaced by the manufacturer or his service agent or a similar qualified person in order to avoid a hazard.
11. The glass used for this lamp is hand-blown. Only 1st. quality has been chosen. Air bubbles and variations in thickness and colour is normal.
12. We reserve the right to make technical alterations.

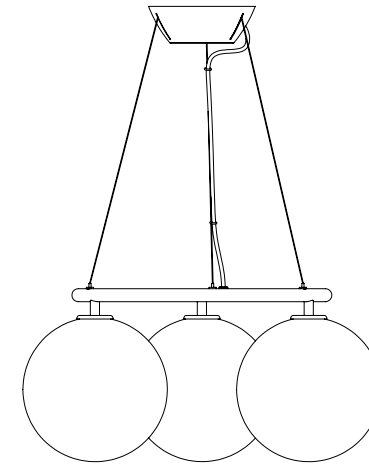
Please keep these instructions.

Fitting: G9

2024-06-26 EU

Miira 3 Circular

Assembly Instructions



NUURA

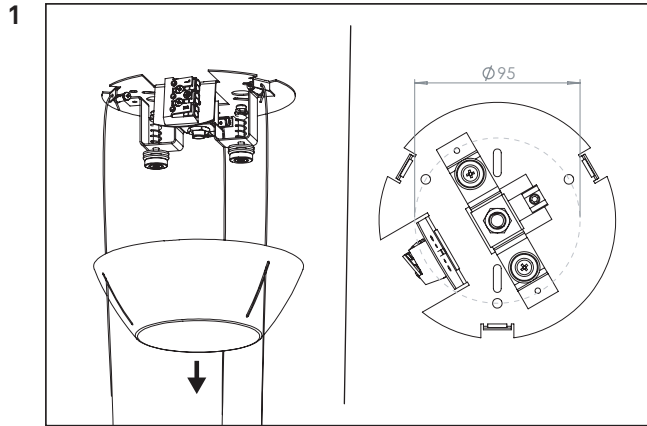
www.nuura.com
info@nuura.com

© 2023 All rights reserved

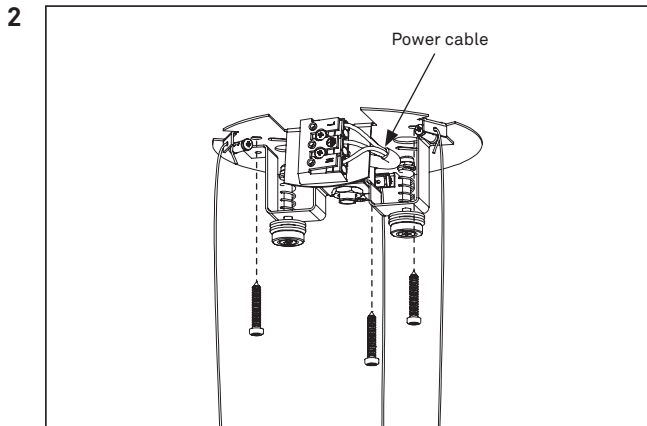


NUURA

© 2023 All rights reserved



Pull the cover plate away from the mounting bracket. It is attached with strong magnets and might require some force.

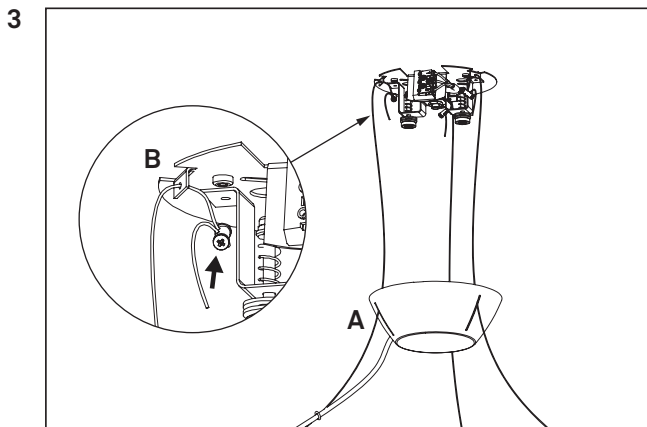


Lead the power cable through the mounting bracket and attach it to the ceiling.

Make sure to use appropriate screws and rawplugs/anchors for your construction.

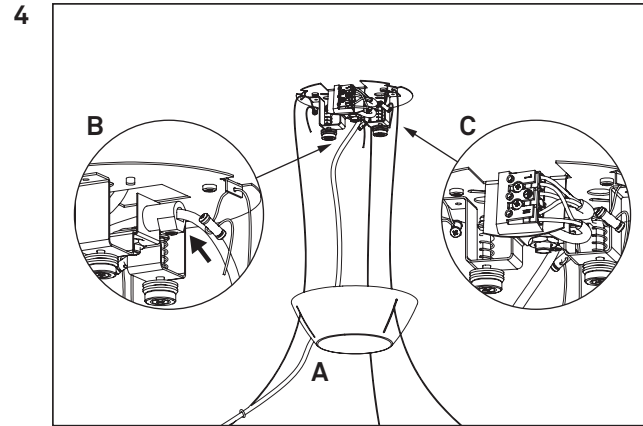
Make sure the bracket is fixated properly.

Connect the wire-ends of the power cable to the cable terminals. Match the brown wire with "L" the blue wire with "N" and the green/yellow wire with the grounding symbol.



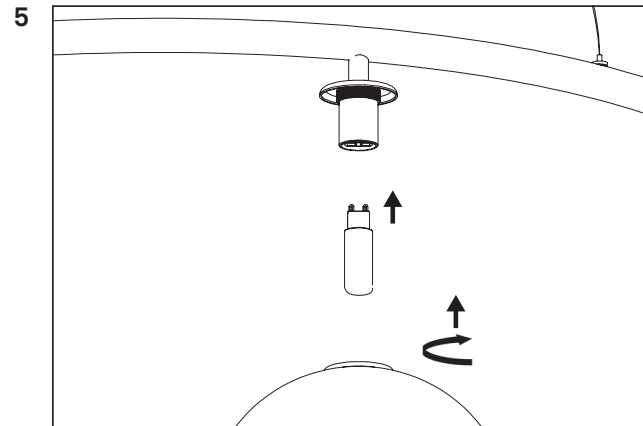
Adjust the suspension wires close to its final position by loosening the wire lock and leading the wire through. Tighten the screws to secure the lamp.

The final position will be adjusted in the last step of the installation process.



Make sure the transparent cable goes through the canopy cover (A), secured with strain relief (B), and connected with the terminal box (C).

Place the cover plate back over the mounting bracket until the magnets snap in place.

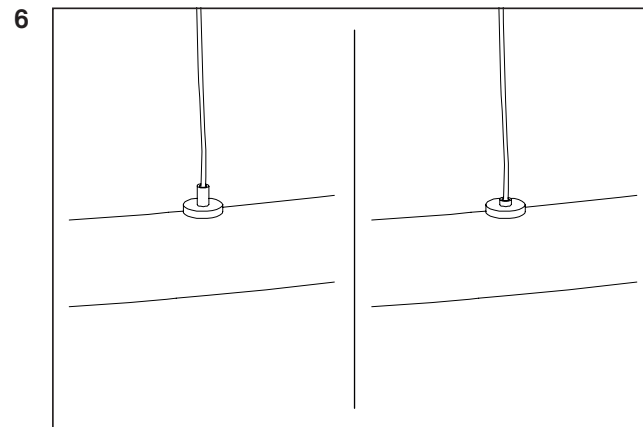


Place a G9 light bulb in the socket. The bulb is NOT included.

A recommended light bulb can be found on www.nuura.com

Carefully place the glass globe over the light bulb. Turn clockwise to attach the glass globe.

IMPORTANT: Do NOT over tighten, the glass may fracture.



Use the wire locks on the ring to adjust the lamp to its final position. It is recommended to use a spirit level.

Push down the pin on the wire locks to pull out wire.

Complete.