

G.r.a, gyrating Romantic, *rings of Light.*

design Bruno Rainaldi
terzani.com

TERZANI
LA LUCE PENSATA




Body |

Type |
Suspension

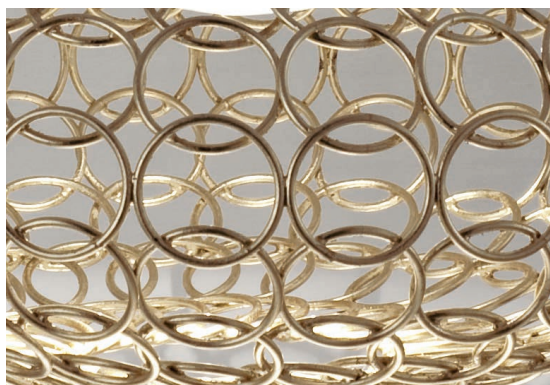
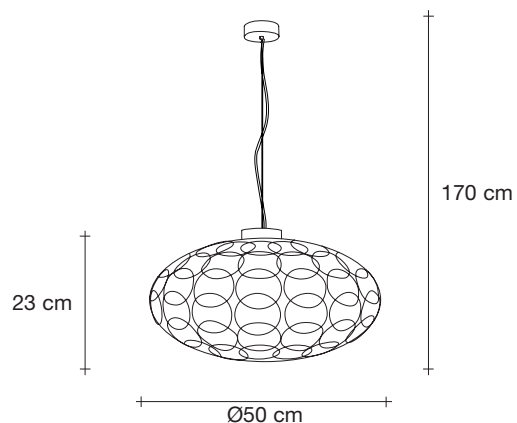
Materials |
Metal

Finishes | Code

 Nickel
ON41S E7 C8 L

 Gold leaf
ON41S H5 C8 L


 Gold plated
ON41S L6 C8 L



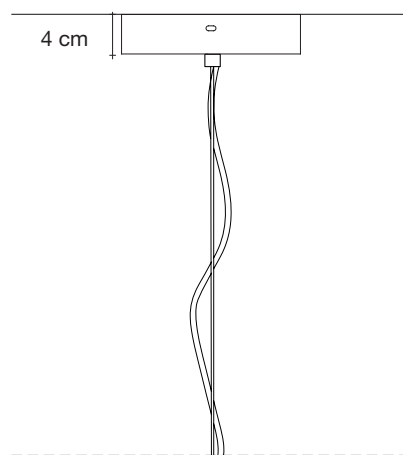
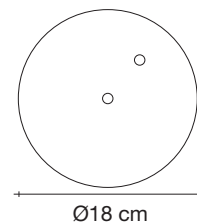
Integrated Led |

220-240V ~ 50/60Hz

 COB LED integrated
18W 1640lm 3000K
or optional 2700K

 Dimmable with 1-10V and PUSH
Dali system on request

Canopy |



This clean, precise form is the result of hours of labor by our artisans, who meticulously weld each ring together. G.r.a. is a delicate, refined pendant whose intricate shape belies its romantic glow. Available as an oval or a sphere, and finished in nickel or gold, G.r.a. serves as an elegant, unobtrusive complement to any room. Design Bruno Rainaldi.



11



7



67cm x 67cm x 30cm

G.r.a, gyrating Romantic, *rings of Light.*

design Bruno Rainaldi
terzani.com

TERZANI
LA LUCE PENSATA





Type |
Suspension

Materials |
Metal

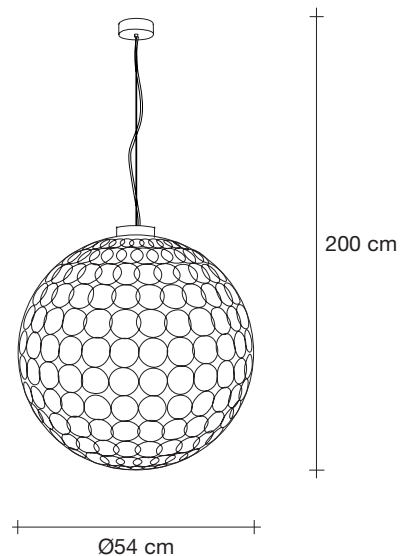
Finishes | Code

 Nickel
0N43S E7 C8 L

 Gold leaf
0N43S H5 C8 L

 Gold plated
0N43S L6 C8 L


Body |



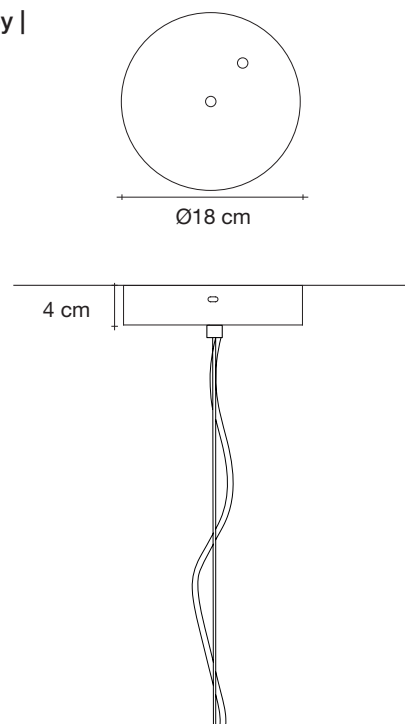
Integrated Led |

220-240V ~ 50/60Hz

 COB LED integrated
18W 1640lm 3000K
or optional 2700K

 Dimmable with 1-10V and PUSH
Dali system on request

Canopy |



This clean, precise form is the result of hours of labor by our artisans, who meticulously weld each ring together. G.r.a. is a delicate, refined pendant whose intricate shape belies its romantic glow. Available as an oval or a sphere, and finished in nickel or gold, G.r.a. serves as an elegant, unobtrusive complement to any room. Design Bruno Rainaldi.



15



8,5



62cm x 62cm x 72cm

G.r.a, gyrating Romantic, *rings of Light*.

design Bruno Rainaldi
terzani.com

TERZANI
LA LUCE PENSATA





Type |
Suspension

Materials |
Metal

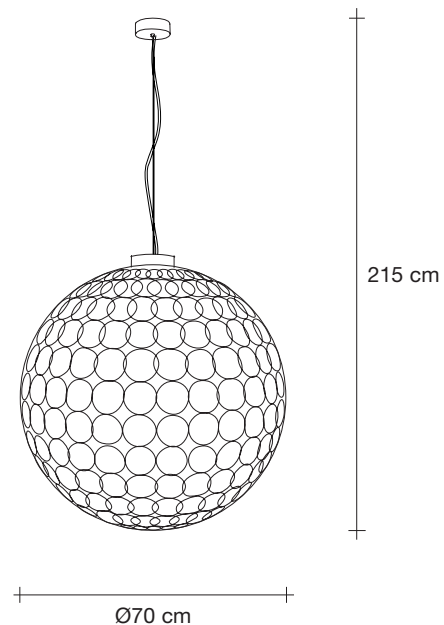
Finishes | Code

 Nickel
0N42S E7 C8 L

 Gold leaf
0N42S H5 C8 L

 Gold plated
0N42S L6 C8 L


Body |



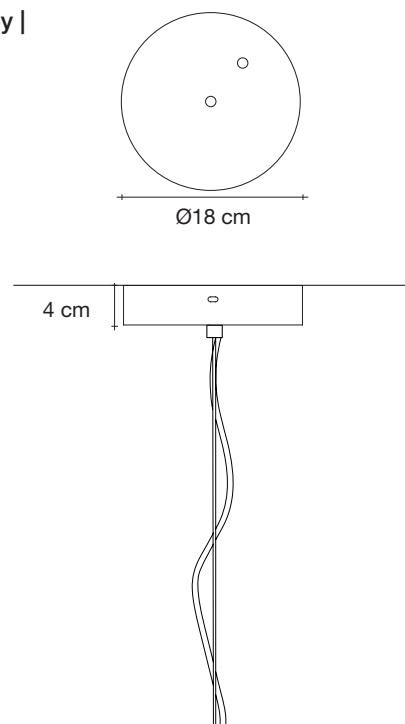
Integrated Led |

220-240V ~ 50/60Hz

 COB LED integrated
18W 1640lm 3000K
or optional 2700K

 Dimmable with 1-10V and PUSH
Dali system on request

Canopy |



This clean, precise form is the result of hours of labor by our artisans, who meticulously weld each ring together. G.r.a. is a delicate, refined pendant whose intricate shape belies its romantic glow. Available as an oval or a sphere, and finished in nickel or gold, G.r.a. serves as an elegant, unobtrusive complement to any room. Design Bruno Rainaldi.



21



10,5



77cm x 77cm x 84cm

G.r.a, gyrating Romantic, *rings of Light.*

design Bruno Rainaldi
terzani.com

TERZANI
LA LUCE PENSATA





Type |
Suspension

Materials |
Metal

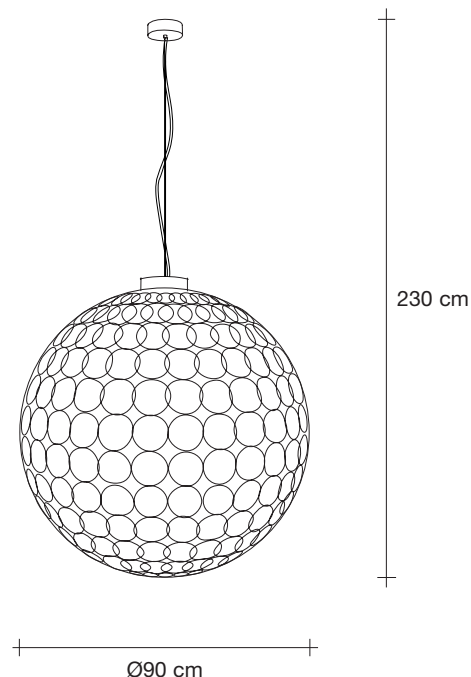
Finishes | Code

 Nickel
ON40S E7 C8 L

 Gold
ON40S H5 C8 L

 Gold plated
ON40S L6 C8 L


Body |



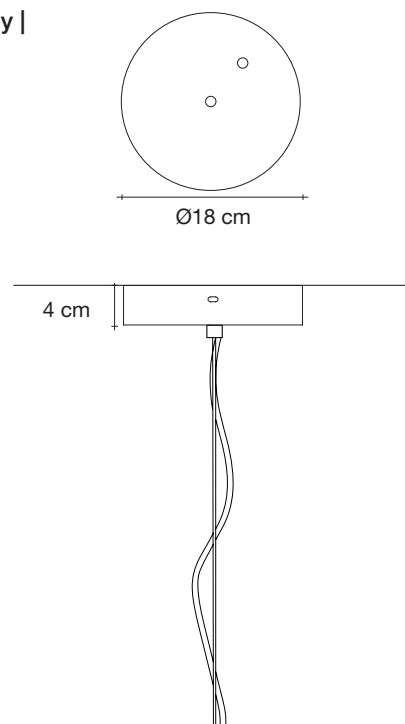
Integrated Led |

220-240V ~ 50/60Hz

 COB LED integrated
18W 1640lm 3000K
or optional 2700K

 Dimmable with 1-10V and PUSH
Dali system on request

Canopy |



This clean, precise form is the result of hours of labor by our artisans, who meticulously weld each ring together. G.r.a. is a delicate, refined pendant whose intricate shape belies its romantic glow. Available as an oval or a sphere, and finished in nickel or gold, G.r.a. serves as an elegant, unobtrusive complement to any room. Design Bruno Rainaldi.



27



17



91cm x 91cm x 102cm