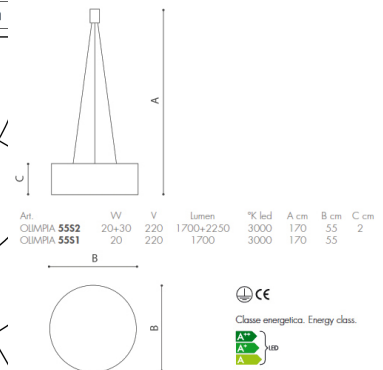
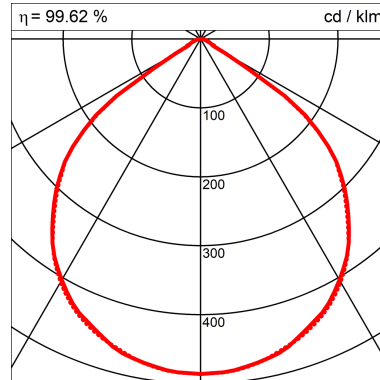


OLIMPIA
OLIMPIA 55S1



Luminaires

Hersteller	ICONE
Article number	OLIMPIA 55S1
Product name	OLIMPIA
Product group	pendant luminaire
Mounting type	Pendant
Mounting place	Ceiling
Designer	Marco Pagnoncelli
Test mark	CE

Model / Variant / Configuration

Number / Name	BI-FO
---------------	-------

Description

white + gold leaf

Luminaires

Efficiency	99.62%
System Light flux	1693.54 Lm
Luminaire output	84.70 Lm/W
LiTG class	A50
CIE flux codes	64 96 99 100 100
System power	20.0W
Protection class	Protection class I
Protection degree	IP 20

Dimensions

Diameter/Height	550mm/200mm
-----------------	-------------

Light Source

Lamp type	1 x LED
ZVEI / ILCOS	LED / LED
Lamp power	20 W
System power	20 W
Light flux	1700 lm
Colour temperature	2700K
Colour rendering	1B
Lifetime	50000 h

Description

Turned aluminium suspension lamp available with direct/indirect or only direct light beam, LED 220V with no need of driver.

Color finishing white (BI), white+gold leaf (BI+FO), black+white (NE+BI), black+copper leaf (NE+FR). Available with 3000°K and 2700°K LED color temperature.

Energy class A++, A+, A