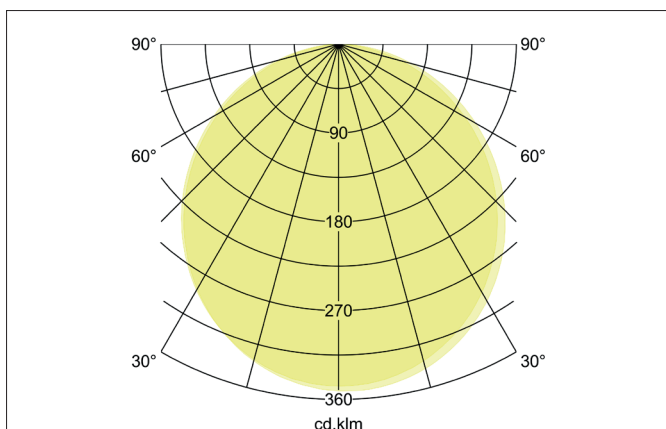
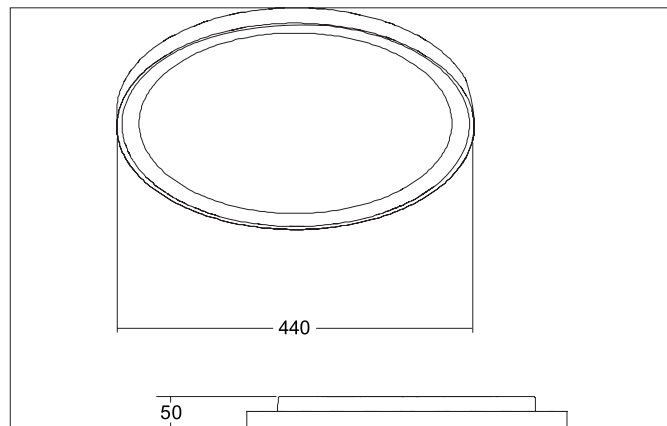


**SUNNY MIDI LED ceiling surface-mounted downlight, trailing-edge**

**phase dimmable**

Article no. 12209083

Light.  
For Generations.



**Tender**

LED ceiling surface-mounted downlight, trailing-edge phase dimmable, Round. Luminaire diameter 440.0 mm, Height 50.0 mm Weight 2.342 kg, with rotationssymmetrical, deep, wide distributed light intensity. optimal light distribution due to a plastic, opal cover. Luminous flux 3.750 lm, UGR < 25, Power 1 x 40 W, System Efficiency 94 lm/W, Light colour warm white to daylight white, Correlated color temperature (CCT) 3.000 - 6.000 K, Colour rendering index CRI > 80, Rated life time L70/B50 at 25 °C: 50000 h, Housing material: Aluminium / Steel / Polystyrene, Colour: Black, Permissible ambient temperature (ta): -20 °C - +25 °C, Protection class (EN 61140): I, Degree of protection (DIN EN 60529): IP20, shock resistance according to IEC62262: IK04 . With electronic driver, Trailing-edge phase dimmable.

Article data	
Article no.	12209083
GTIN	4251433953784
Series name	SUNNY MIDI
Short description	LED ceiling surface-mounted downlight, trailing-edge phase dimmable
Material	Aluminium / Steel / Polystyrene
Colour	Black
Type of surface	Matt
Shape	Round
Outer diameter	440 mm
Height	50 mm
Scope of delivery	incl. converter for connection to 230 V mains voltage, dimmable and incl. adjustable color temperature to 3000 K, 4000 K or 6000 K (switching on the housing or via wall-mounted switch via bottom switch function). Optional accessories: Color ring set for the indirect part in the colors red, blue and amber, as well as a pendulum set 1,500 mm.
Weight	2.342 kg

**SUNNY MIDI LED ceiling surface-mounted downlight, trailing-edge****phase dimmable**

Article no. 12209083

Light.  
For Generations.

Lighting technology	
Colour temperature	3.000 K / 4.000 K / 6.000 K
Light colour	White
Farbtemperatur 1	3,000 K
Farbtemperatur 2	4,000 K
Farbtemperatur 3	6,000 K
Light output	Direct/Indirect
Luminous flux	3,750 lm/m
Lichtstrom 1	3,750 lm/m
System efficiency	94 lm/W
Colour rendering	CRI > 80
Reflector	Without
Beam angle	110°
Glare evaluation	UGR < 25
Light sharing	Symmetric
Adjustable color temperature	Stages

Operating technology of the luminaire	
System output	40 W
Voltage type	AC
AC nominal voltage max	230 V
Frequenz max.	50 Hz
Lamp	LED
Protection class	I
Degree of protection	IP20
Dimmable	Yes
Control	Trailing-edge phase
Bulb change possible	Yes
Rated life time L70/B50 at 25 °C	50000 h

Mounting technology	
Mounting method	Surface mounting
Place of installation	Ceiling-mounted
Adjustability	Not adjustable
Impact resistance	IK04
Material cover	Plastic, opal

Packing data	
Gross weight	2.719 kg
Length of packaging	480 mm
Packaging width	475 mm
Packaging height	55 mm
Disposal at end of life	This product must not be disposed of with household waste. You are obliged, to dispose of such electrical waste separately. By disposing of electrical waste and other old or defective electronics separately, you support recycling or other forms of re-use. In that way you help to take care and to avoid that harmful substances get into the environment.

**SUNNY MIDI LED ceiling surface-mounted downlight, trailing-edge**

**phase dimmable**

Article no. 12209083

Light.  
For Generations.

Accessories	
	Article no.: 8 1020906 Color ring set for SUNNY surface-mounted luminaire
	Article no.: 8 1020908 Color ring set for SUNNY surface-mounted luminaire
	Article no.: 8 1020909 Color ring set for SUNNY surface-mounted luminaire
	Article no.: 8 1018070 Pendant set for surface-mounted downlight 12208073 / 12209073  Dimensions: 150 mm x 26 mm
	Article no.: 8 1018080 Pendant set for surface-mounted downlight 12208073 / 12209073  Dimensions: 150 mm x 26 mm