

# Assembly & Care Guide

## *Material Wall Lamp*

The Material Wall Lamp is carefully made and therefore every item is unique. It may occur different expression in the material and surface, with smaller marks and minor deviations.

### SAFETY INSTRUCTIONS

Please read the instructions carefully and retain it for future reference. **New Works Aps** is not responsible for any faults or damages caused by not following the instructions correctly.

Turn off electricity at main circuit breaker panel before beginning the installation. Warning all wires are connected - when unpacking the box, be careful not to pull wires, as this may result in a bad connection.

Different wall materials require different types of fittings. Always choose screws and plugs that are specially suited for the wall material.

The lamp is only intended for indoor use, consult a professionally qualified electrician if any doubt. Follow the guidance **220-240V~ 50/60Hz - E14 LED Max 7W or E14 Max 25W** (Bulb not included) The light bulb and lamp exterior may get hot after prolonged use.

Turn off the power (unplug from wall outlet) before replacing the bulb. Make sure the bulb has sufficient time to cool down before replacing the bulb. Do not subject the lamp to any shock as this may cause the lamp to brake.

Keep the product out of children's reach. Dispose the packaging and do not allow children to play with it. Do not modify the product in any way.

### CLEANING

Turn off the electricity before cleaning the lamp. Wipe the lamp exterior with a soft dry or moist cloth. Do not use any abrasive cleaning tools, and never use strong cleaning agents such as household glass cleaner, white spirit or turpentine.

### MORE INFORMATION

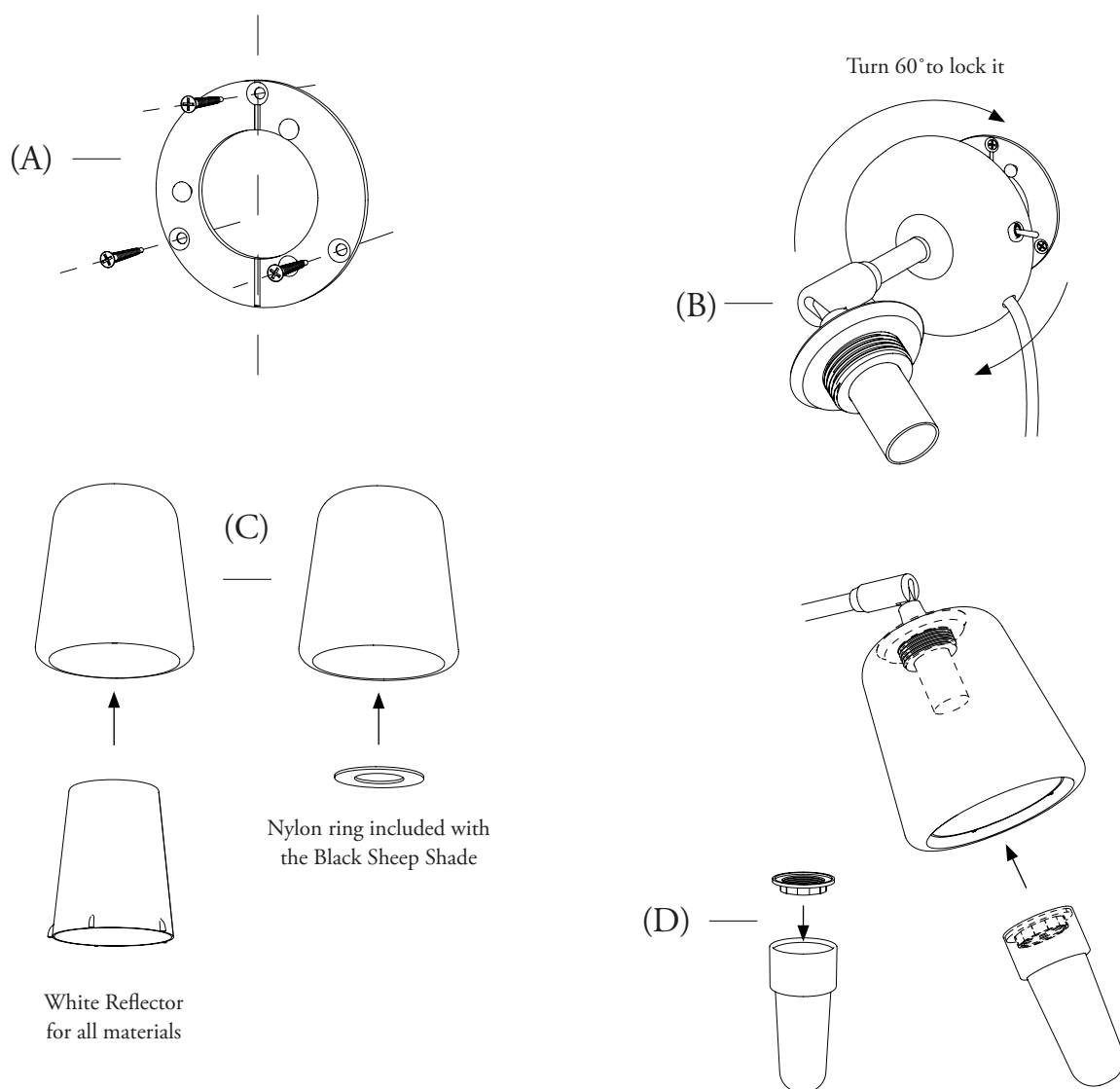
For more information such as product overview, material description and disclaimers - please visit our website at **[www.newworks.dk](http://www.newworks.dk)** for further information. If you have any questions or comments, please do not hesitate to contact us at **[info@newworks.dk](mailto:info@newworks.dk)**.

## NEW WORKS.

# Assembly & Care Guide

## Material Wall Lamp

Read the instruction carefully and turn off electricity at main circuit breaker panel before beginning the installation. Warning all wires are connected - when unpacking the box, be careful not to pull wires, as this may result in a bad connection. Do not connect the electricity until the lamp is fully assembled.



### ASSEMBLY INSTRUCTIONS

1. Draw a straight vertical line on the wall indicating where to place the wall fitting.  
Mark the first screw hole on the vertical line 3,5 cm from centre and up.
2. Place the lamp base (B) on the wall fitting angled 60° turn it clockwise back in positions to lock it secure.
3. Place the white reflector or the nylon ring (only for the black sheep version) in inside the shade (C).
4. Place the metal ring inside the cone/handle (D) and mount the shades on the lamp base.
5. Install the light bulb - 220-240V~ 50/60Hz - E14 LED Max 7W or E14 Max 25W (not included).

**NEW WORKS.**