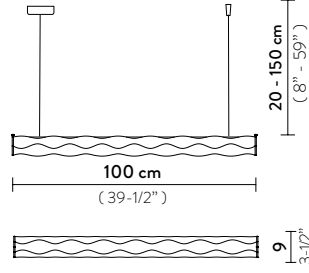
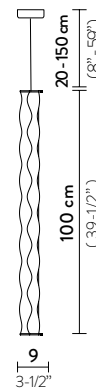
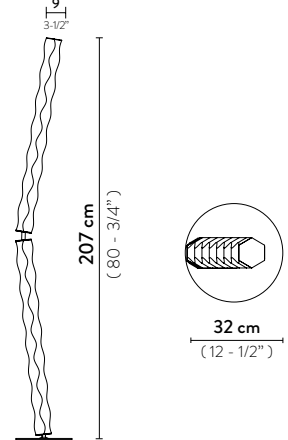


| PRODUCT / PRODOTTO | DIMENSIONS / MISURE | COLOUR/COLORE | CODE / CODICE |
|--|--|--|--|
| SUSPENSION LED: 25W - 100-240Vac/24Vdc 3.500 lumen - 3000 Kelvin (4000 Kelvin upon request) Dimmable with: PWM, 0-10 Made of: Lentiflex® Weight: net Kg 1,35 - gross Kg 2,20 Package: 114 x 16 x h. 16 cm CB REPORT AVAILABLE |  | <input type="checkbox"/> PRISMA <input type="checkbox"/> WHITE | HUG89SOS3000LE000 HUG89SOS3000WT000 |
| | | ADDITIONAL DIMMING SYSTEM DALI, BLUETOOTH, CASAMBI, TRIAC, UPON REQUEST | |
| SUSPENSION VERTICAL LED: 25W - 100-240Vac/24Vdc 3.500 lumen - 3000 Kelvin (4000 Kelvin upon request) Dimmable with: PWM, 0-10 Made of: Lentiflex® Weight: net Kg 1,35 - gross Kg 2,20 Package: 114 x 16 x h. 16 cm |  | <input type="checkbox"/> PRISMA <input type="checkbox"/> WHITE | HUG89SOS00V0LE000 HUG89SOS00V0WT000 |
| | | ADDITIONAL DIMMING SYSTEM DALI, BLUETOOTH, CASAMBI, TRIAC, UPON REQUEST | |

| PRODUCT / PRODOTTO | DIMENSIONS / MISURE | COLOUR/COLORE | CODE / CODICE |
|---|---|---------------------------------|--------------------------|
| FLOOR LED: 40W -100~240Vac/24Vdc 7.000 lumen - 3000 Kelvin - Dimmable Made of: Lentiflex® - Stainless steel With: Integrated Dimmer Weight: net Kg 6,2 - gross Kg 8,4 Package: A 114 x 16 x h. 16 cm - Kg 2,10 B 114 x 16 x h. 16 cm - Kg 2,65 C 47 x 47 x h. 7 cm - Kg 3,65 |  | <input type="checkbox"/> PRISMA | HUG89PFO0000LE000 |
| | | | |

CANOPY DETAILS



HUGO - HUGO VERTICAL

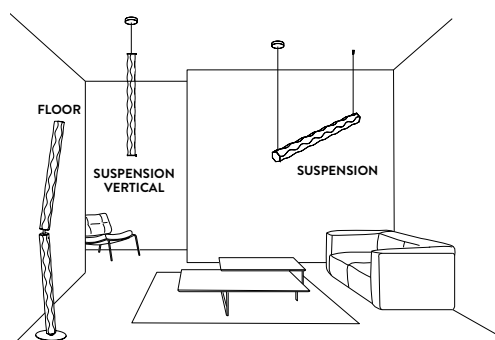
Ø 14 cm x h. 4,5 cm (Ø 5-1/2" x h. 1-3/4")
 6m. cable kit must be ordered with lamp purchase
 Kit Cavi da 6m da richiedere tassativamente in fase di ordine

CERTIFICATION

CE IP 20  

ENERGY CLASS: A / A+ / A++
 ENERGY LABEL AVAILABLE ON SLAMP'S WEBSITE

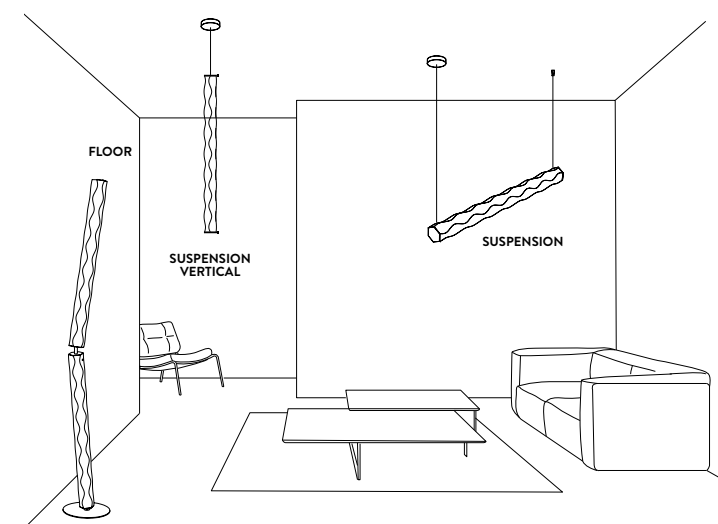
HUGO ENTIRE COLLECTION



FINISHES



HUGO ENTIRE COLLECTION



CERTIFICATION

CE IP 20  

ENERGY CLASS: A / A+ / A++
 ENERGY LABEL AVAILABLE ON SLAMP'S WEBSITE

FINISHES

