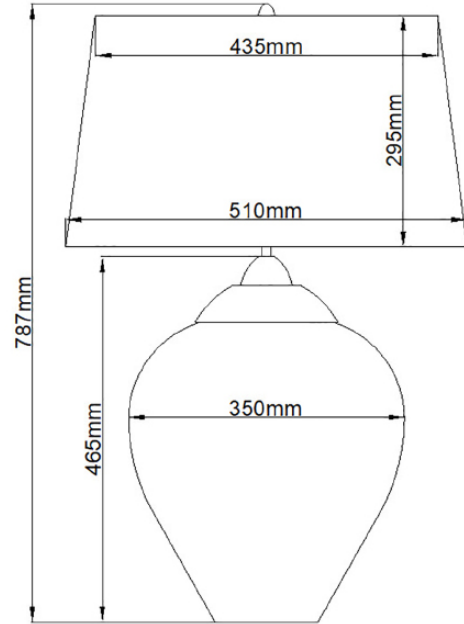


MODEL: Large Table Lamp



Samara's textured blown glass, classic polished nickel metal-work and beautiful hand-made fabric shades combine to form an arresting and gorgeous table-lamp. Combined with a 4-way switch, this design features independent light sources for the shade and the glass. (GU10 supplied)

1. Stock Code	QN-SAMARA-TL-LRG-SLM	17. Minimum Drop (mm)	
2. Product Type	Table Lamp	18. Maximum Drop (mm)	
3. Category	Interior	19. Chain/extension rods	
4. Family	Samara	20. Ceiling Pan Width/Diameter	
5. Finish	Polished Nickel	21. Net Weight (kg)	7.02kg
6. IP Rating		22. Gross Weight (kg)	7.8kg
7. Class	Class I	23. Back Plate Height (mm)	
8. Voltage	220-240v 50hz	24. Back Plate Width (mm)	
9. Max. Wattage	60W	25. Base Plate Depth (mm)	
10. Lamp Holder Type	E27	26. Build Materials	Steel, Clear Glass, Faux Silk
11. No. of Lamps	1	27. Box Dimensions	54 x 54 x 78cm
12. Lamp Supplied	1 x 7W LED GU10	28. Barcode	5024005674313
13. Lumen Output	No	29. Guarantee	general 2 year guarantee
14. Overall Width-Diameter (mm)	510mm		
15. Overall Height (mm)	787mm		
16. Overall Depth (mm)			