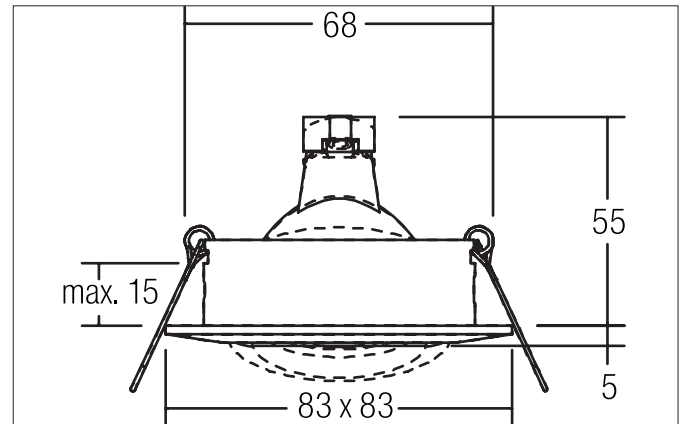


Recessed spot, GX5,3
Article no. 1964.08Light.
For Generations.**Tender**

Recessed spot, GX5,3, black, Square. In a compact design, for installation in tool-less rapid assembly systems. Lamp holder: GX5.3, Mounting method: Recessed mounting, Place of installation: Ceiling-mounted, Material: Cast iron, Degree of protection: according to DIN EN 60529 IP20, Protection class: (EN 61140) III, Voltage: 12V, Power: 50W, Amount of light sources / fittings: 1.0 Qty, Adjustability: Pivoted, With control gear: No, Control: Dimming depending on driver.

Article data	
Article no.	1964.08
GTIN	4251433953807
Short description	Recessed spot, GX5,3
Material	Cast iron
Colour	Black
Type of surface	Matt
Shape	Square
Built-in diameter	68 mm
Installation depth	55 mm
Length	83 mm
Width	83 mm
Height	5 mm
Scope of delivery	Incl. socket with supply line 300 mm, without snap ring
Weight	0.192 kg

Recessed spot, GX5,3

Article no. 1964.08

Light.
For Generations.

Operating technology of the luminaire	
System output	50 W
Voltage type	AC/DC
AC nominal voltage max	12 V
Frequenz max.	50 Hz
Lamp	for LED-retrofill lamp
Lamp holder	GX5.3
Protection class	III
Degree of protection	IP20
Control	Dimming depending on driver
Bulb change possible	Yes

Mounting technology	
Mounting method	Recessed mounting
Place of installation	Ceiling-mounted
Adjustability	Pivoted
Swivel angle	25°
Max. ceiling thickness	15 mm
Further references	No mounting box No cover with thermal insulation material

Packing data	
Gross weight	0.244 kg
Length of packaging	115 mm
Packaging width	90 mm
Packaging height	55 mm
Disposal at end of life	This product must not be disposed of with household waste. You are obliged, to dispose of such electrical waste separately. By disposing of electrical waste and other old or defective electronics separately, you support recycling or other forms of re-use. In that way you help to take care and to avoid that harmful substances get into the environment.

Recessed spot, GX5,3

Article no. 1964.08

Light.
For Generations.

Compatible LED-modules						
Article no.	Power	Beam angle	Colour temperature	Luminous flux	Input	Hight LED-Modul
12925003	3 W	38°	2700 K	290. lm	350 mA	40 mm
12926003	3 W	38°	3000 K	310. lm	350 mA	40 mm
12925004	3 W	38°	4000 K	340. lm	350 mA	40 mm
12923003	6 W	38°	2700 K	680. lm	350 mA	40 mm
12924003	6 W	38°	3000 K	680. lm	350 mA	40 mm
12924004	6 W	38°	3500 K	680. lm	350 mA	40 mm
12923004	6 W	38°	4000 K	720. lm	350 mA	40 mm
12923383	6 W	38°	2700 K	600. lm	350 mA	32 mm
12923603	6 W	60°	2700 K	570. lm	350 mA	32 mm
12924383	6 W	38°	3000 K	680. lm	350 mA	32 mm
12924603	6 W	60°	3000 K	660. lm	350 mA	32 mm
12924384	6 W	38°	3500 K	680. lm	350 mA	32 mm
12924604	6 W	60°	3500 K	660. lm	350 mA	32 mm
12923384	6 W	38°	4000 K	720. lm	350 mA	32 mm
12923604	6 W	60°	4000 K	700. lm	350 mA	32 mm
12920183	6 W	18°	3000 K	640. lm	350 mA	31 mm
12920243	6 W	24°	3000 K	690. lm	350 mA	31 mm
12920003	6 W	38°	3000 K	670. lm	350 mA	31 mm
12920603	6 W	60°	3000 K	620. lm	350 mA	31 mm
12920184	6 W	18°	4000 K	685. lm	350 mA	31 mm
12920244	6 W	24°	4000 K	740. lm	350 mA	31 mm
12920004	6 W	38°	4000 K	720. lm	350 mA	31 mm
12920604	6 W	60°	4000 K	660. lm	350 mA	31 mm
12963003	6 W	38°	3000 K - 1800 K	460. lm	350 mA	40 mm
12963383	6 W	38°	3000 K - 1800 K	460. lm	350 mA	32 mm
12963603	6 W	60°	3000 K - 1800 K	430. lm	350 mA	32 mm
12953003	12 W	38°	2700 K	1,120. lm	350 mA	70 mm
12954003	12 W	38°	3000 K	1,210. lm	350 mA	70 mm
12954004	12 W	38°	3500 K	1,240. lm	350 mA	70 mm
12953004	12 W	38°	4000 K	1,250. lm	350 mA	70 mm
12965003	12 W	38°	3000 K - 1800 K	930. lm	350 mA	70 mm
12983003	12.5 W	38°	3000 K	920. lm	350 mA	95 mm
18101001	13.8 W	45°	RGB		12.00 V	52 mm
12823003	8 W	60°	2850 K	900. lm	24.00 V	50 mm
12843004	8 W	60°	2000 K - 6500 K	700. lm	24.00 V	50 mm
18438002	8 W	60°	RGB+WW	400. lm	24.00 V	50 mm