



2040/J babele

design marc sadler, 2005

hanging lamp for direct light in turned aluminium and painted externally with different shades of micaceous color, golden inside. Suspended with steel cables, produced in 3 diameters: Ø 45cm, Ø 65cm and Ø 92cm.

Designed by Marc Sadler in 2005 for Martinelli Luce, the surface of the lamp is characterized by circular ribs of different diameters arranged in almost parallel planes to describe a path: the path of man towards the infinite light and truth as opposed to the boring life. Babele has a strong personality, which attracts attention, able to fill the space.

2040/J babele

family:	babele	Body Color:	●
Designers:	Marc Sadler	Diffuser Color:	●
Utilization:	indoor	Body Materials:	aluminium
Typology:	pendant	Diffuser Materials:	aluminium

Certifications:

Market: This item is available in the following countries:
EUROPE

Dimensions

Width:	-
Height:	26 cm
Length:	-
Depth:	-
Diameter:	45 cm

Hole Diameter:	-
Hole Depth:	-
Net weight:	2,5 Kg

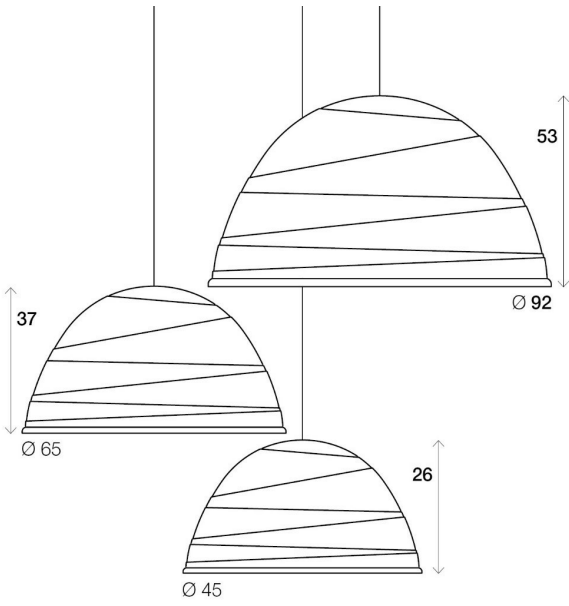
Light Source

Watt:	15W E27
Lumen:	1520 lm
Light Source:	led
CRI:	>80
duration:	25000
CCT:	3000K
Energy degree:	A+

Device Specifications

Type of emission:	direct	Power cable length:	400 cm	Driver:	-
Power:	16W	Steel cable length:	350 cm	Power supply assembly:	-
Light output:	594lm	Glow Wire Test:	-	Power supply:	-
Beam angle:	-	Impact Resistance:	-	Type of dimming:	-
				Voltage:	230V

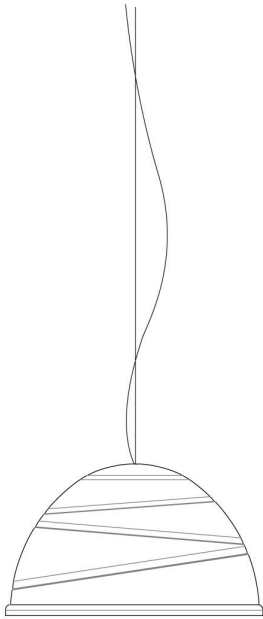
technical drawing



Dimensions

Width: -
 Height: 26 cm
 Length: -
 Depth: -
 Diameter: 45 cm

Hole Diameter: -
 Hole Depth: -
 Net weight: 2,5 Kg



Dimensions

Width: -
 Height: 26 cm
 Length: -
 Depth: -
 Diameter: 45 cm

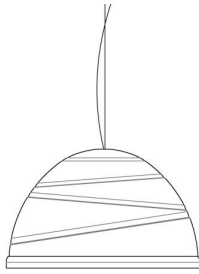
Hole Diameter: -
 Hole Depth: -
 Net weight: 2,5 Kg



Dimensions

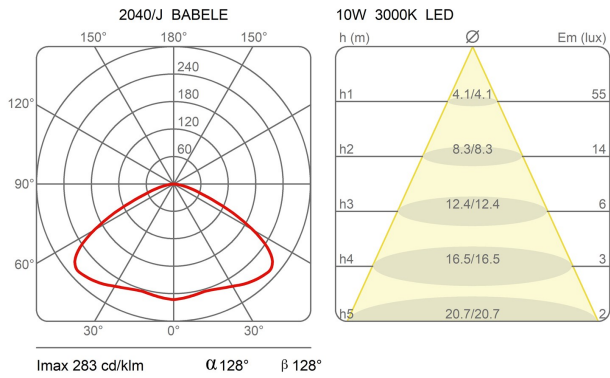
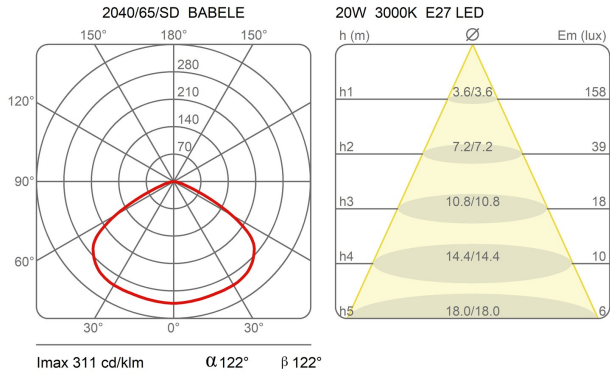
Width: -
 Height: 26 cm
 Length: -

Hole Diameter: -
 Hole Depth: -
 Net weight: 2,5 Kg



Depth: -
Diameter: 45 cm

photometrics data





babele 2040/J
design marc sadler, 2005

