

TWO FLAGS

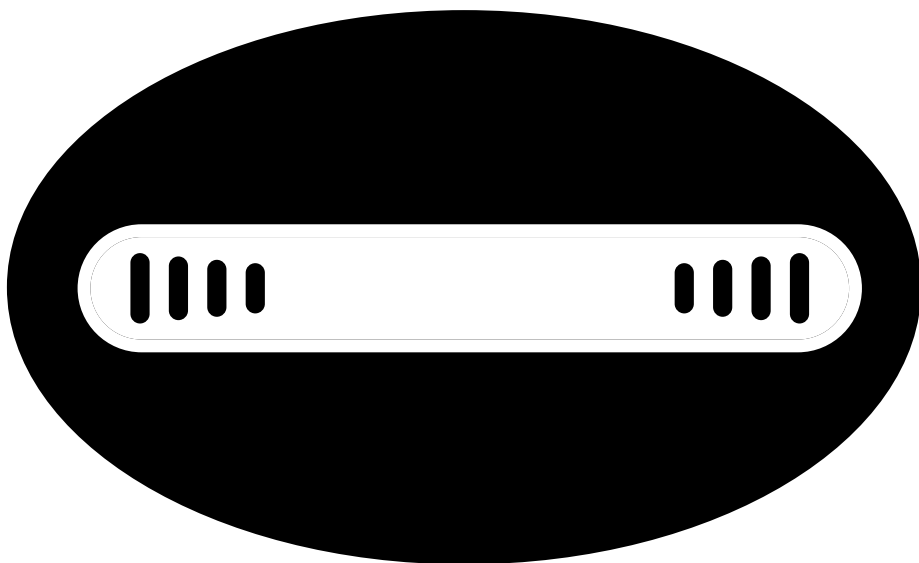
wall

Ernesto Gismondi, Neil Poulton | 2011

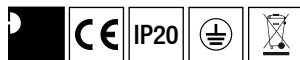
DANESE

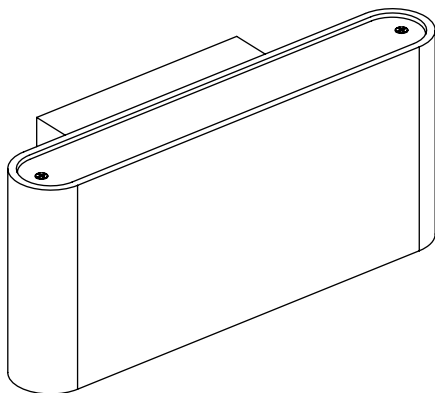
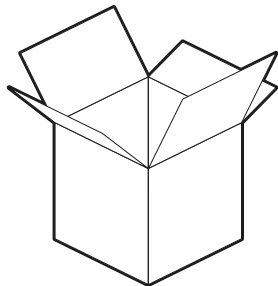
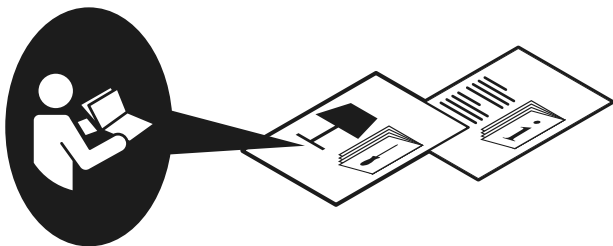
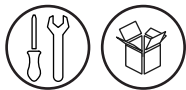


MILANO



MADE IN ITALY





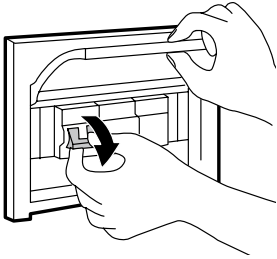


Fig.1

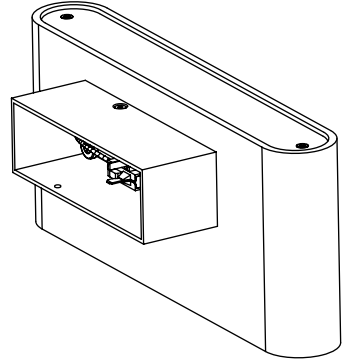
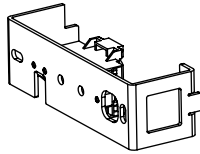


Fig.2

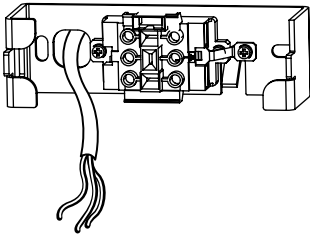


Fig.3

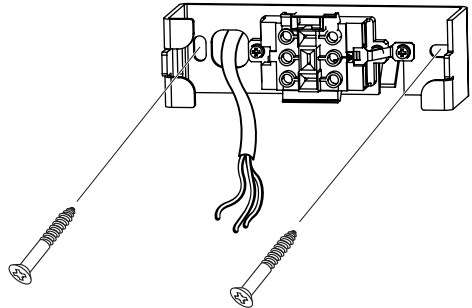


Fig.4

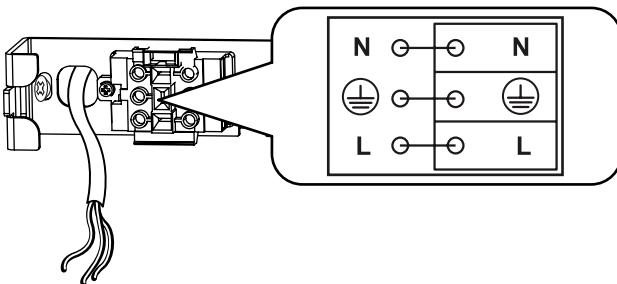


Fig.5

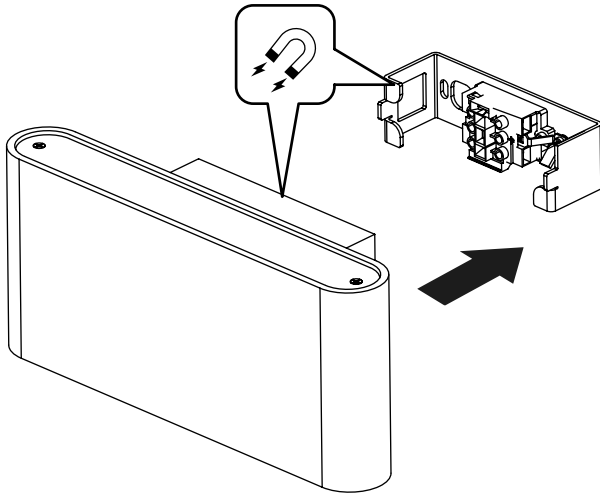
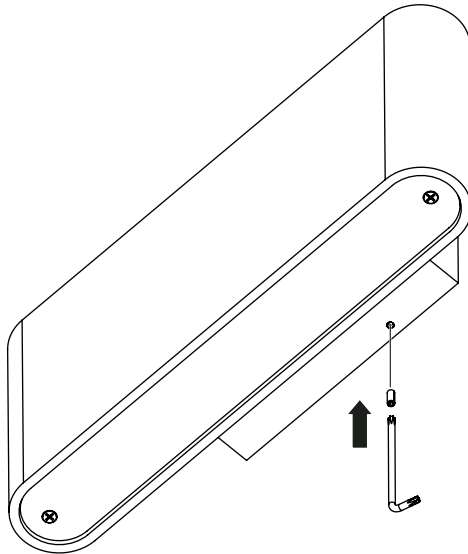
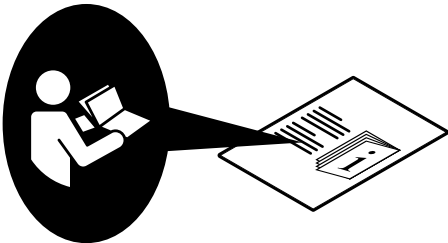
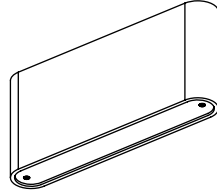
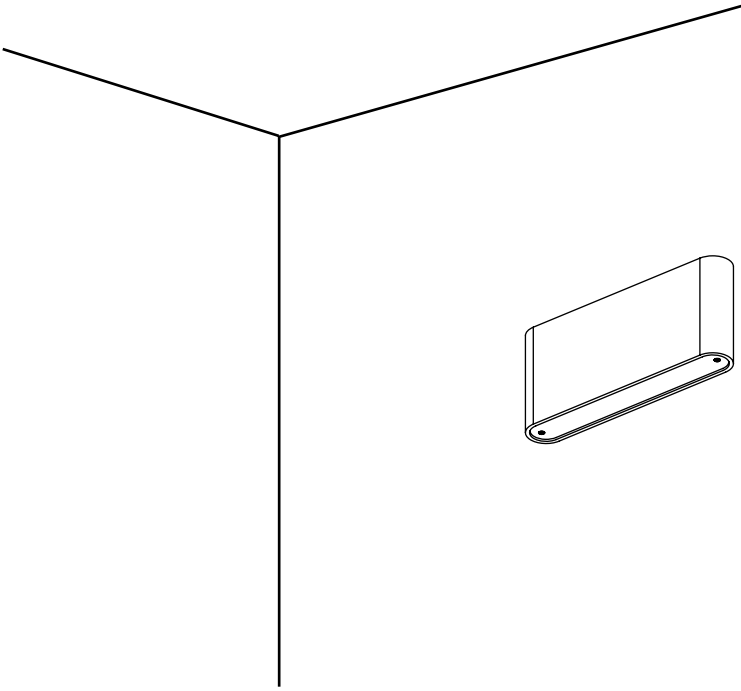


Fig.6





DANESE

VIA ANTONIO CANOVA 34

20145 MILANO

T. +39.02.349611

F. +39.02.34538211

info@danese milano.com

www.danese milano.com

SHOWROOM

PIAZZA SAN NAZARO IN BROLO 15

20122 MILANO

T. +39.02.58304150

F. +39.02.58433350

showroomdanese@artemide.com

DANESE



MILANO | Artemide®

VIA BERGAMO 18

20010 PREGNANA MILANESE (MI) ITALY

T. +39.02.935181 - 935261

Numero Verde 800 834 093 (from Italy only)

© APRIL 2017 DANESE

DANESE reserves the right to change, at any time and without prior warning, the technical specification of any product illustrated in this instruction.

Cod. DS8100AIS