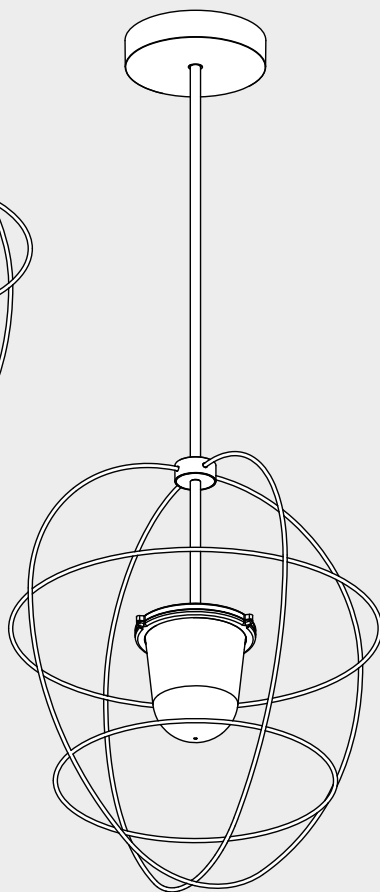
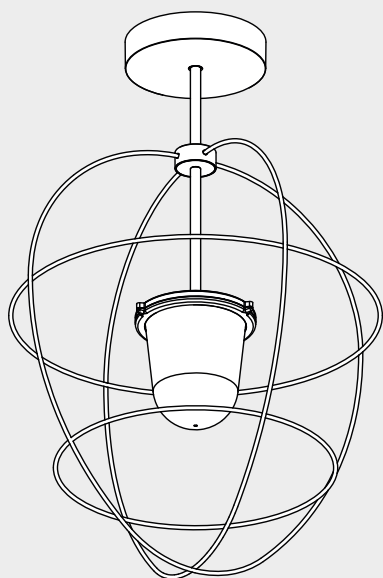


# Artemide®

## NOTTOLA

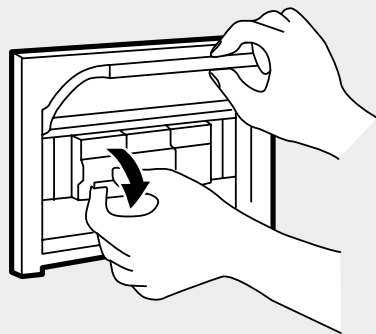
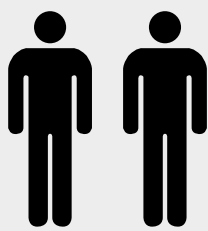
design  
Alexander Bellman

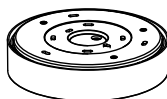
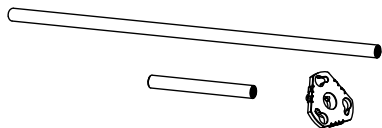
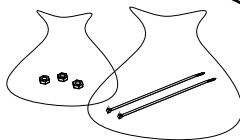
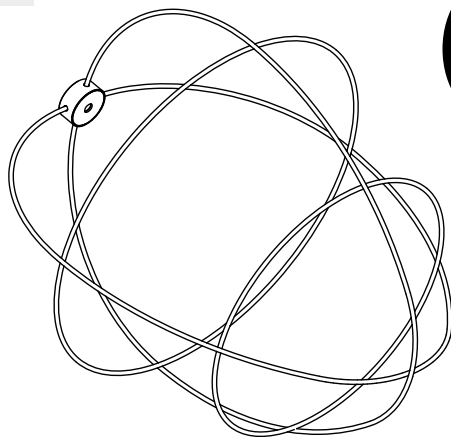
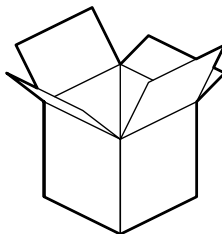
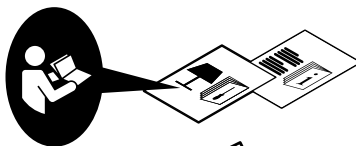
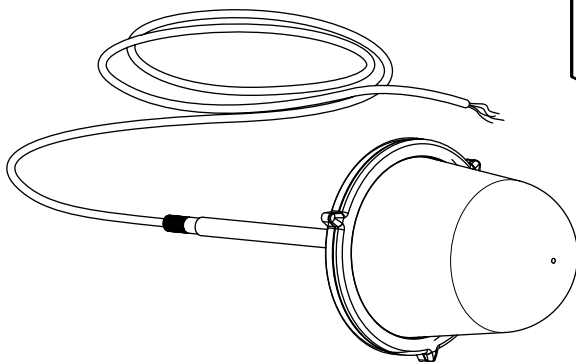
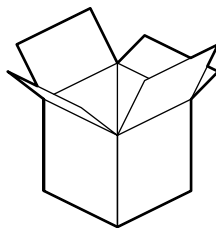
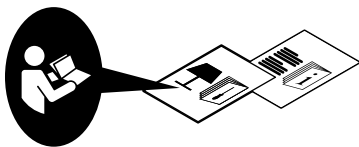




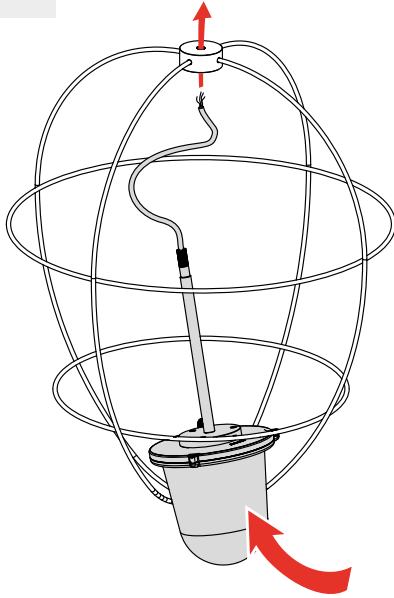
i

	IP65		LED1	

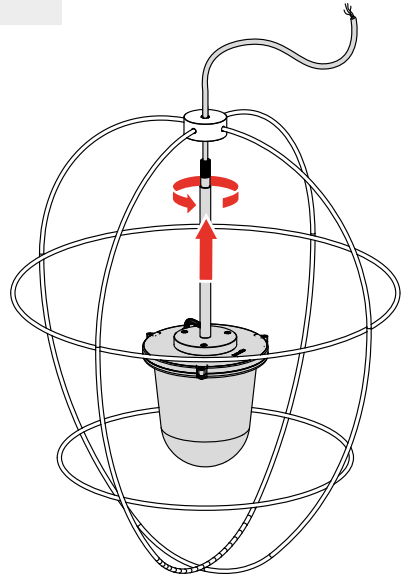




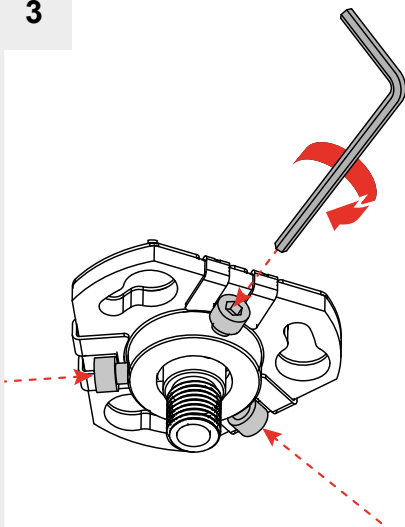
1



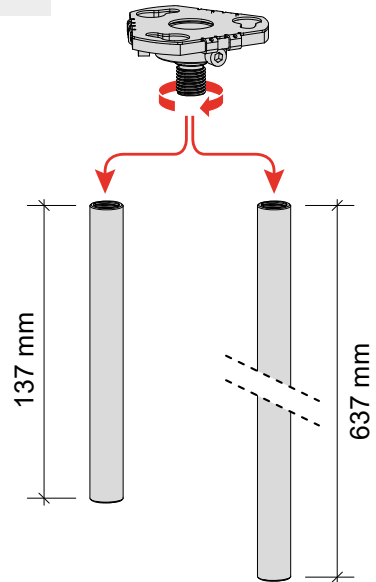
2



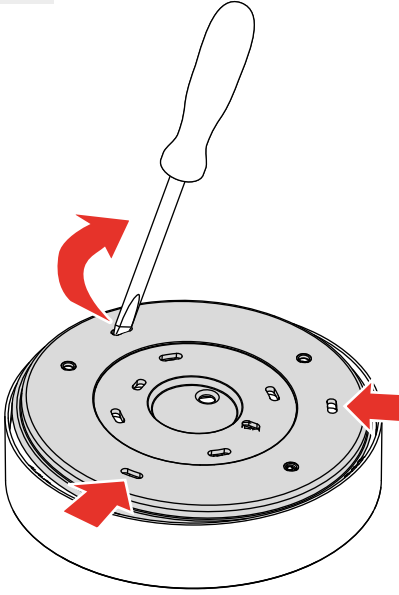
3



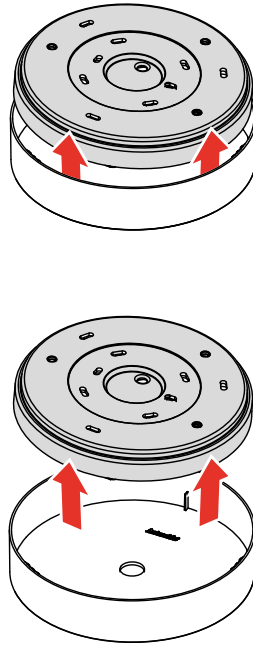
4



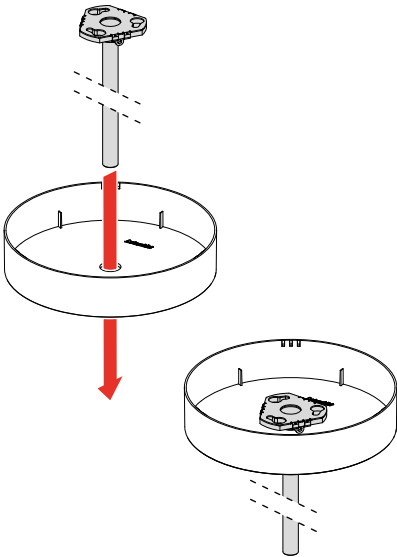
5



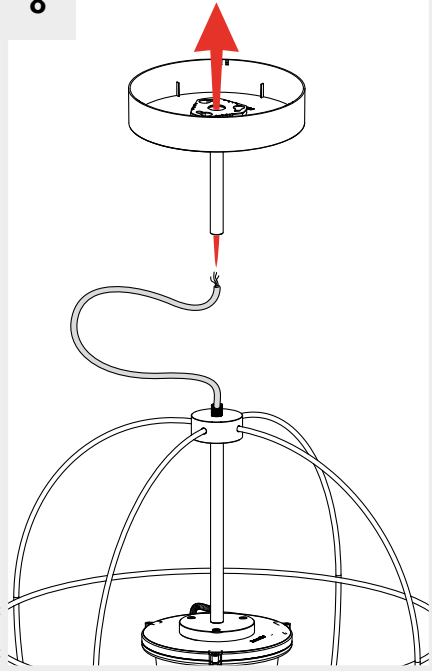
6



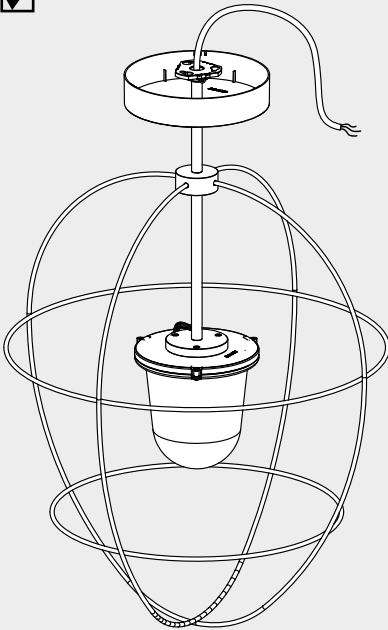
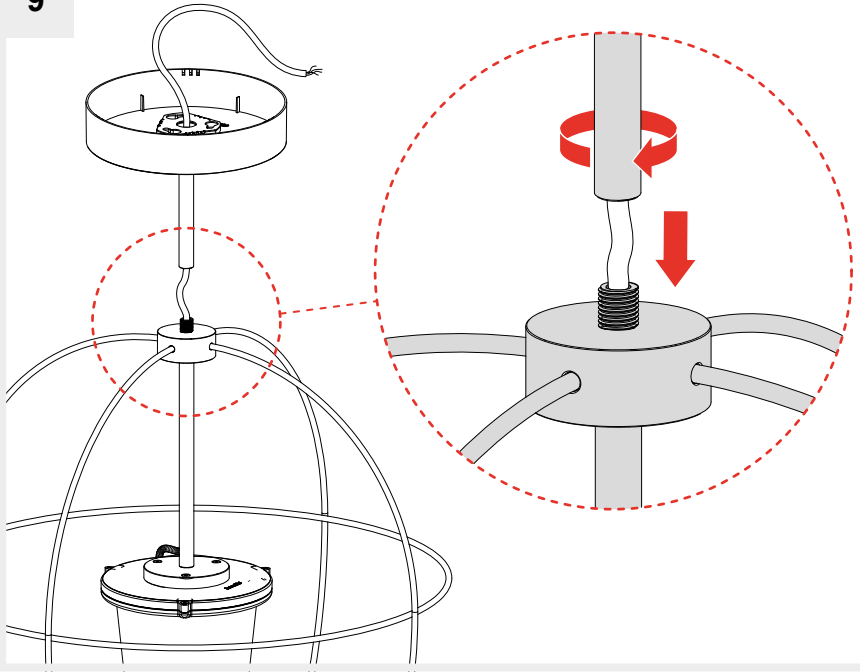
7



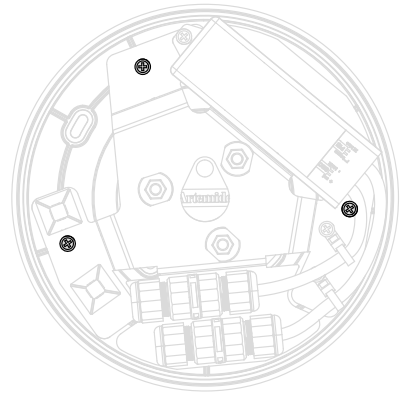
8



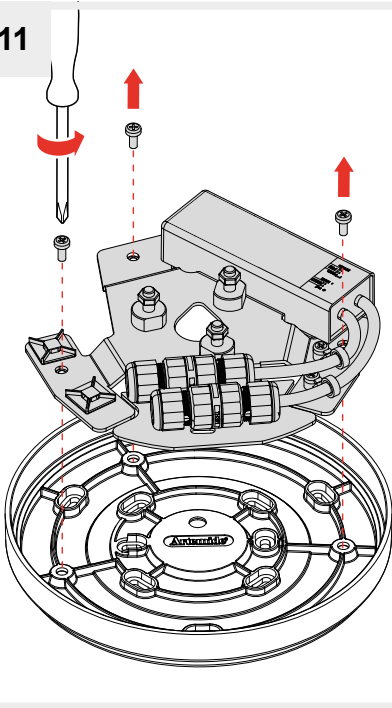
9



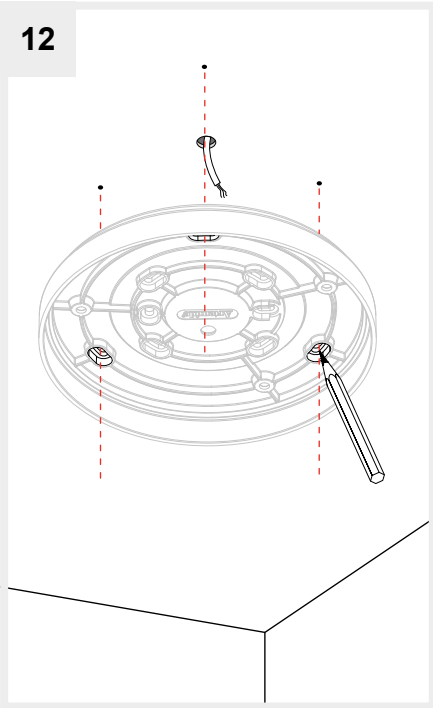
10



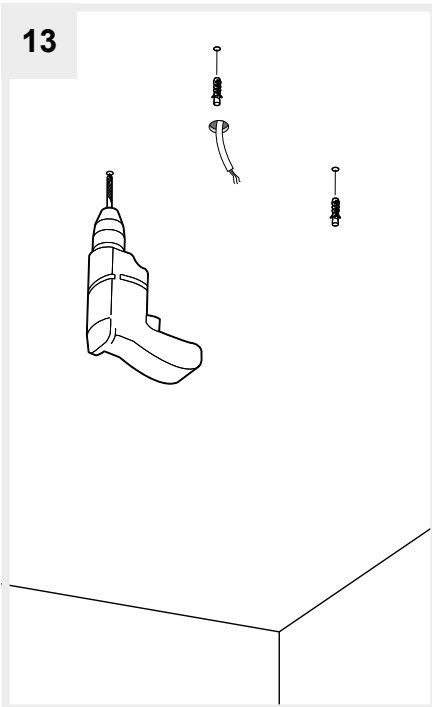
11



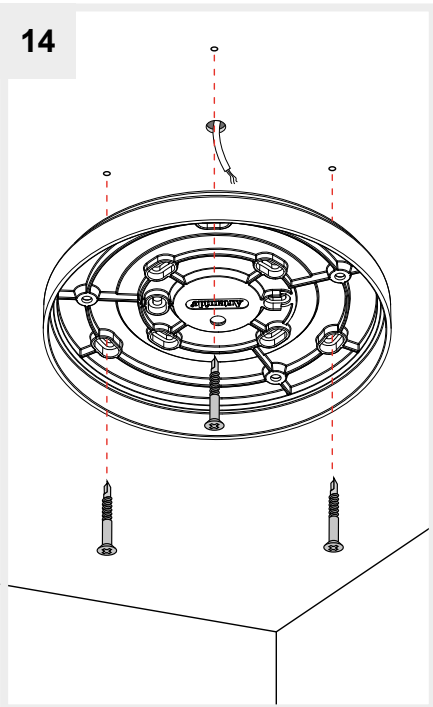
12



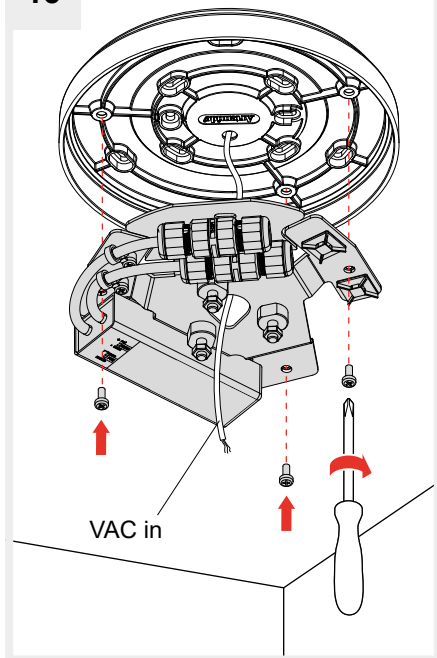
13



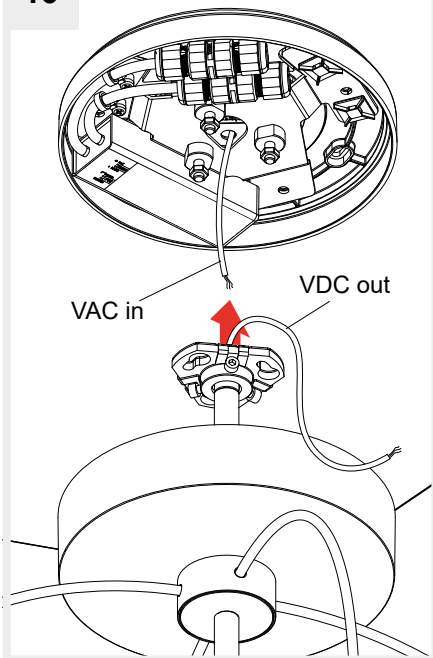
14



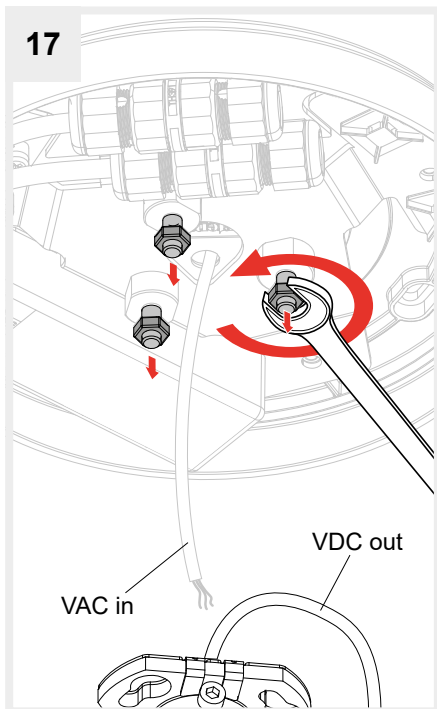
15



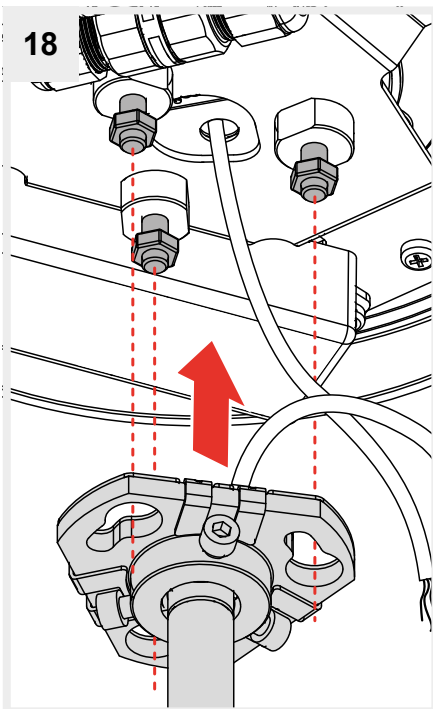
16



17

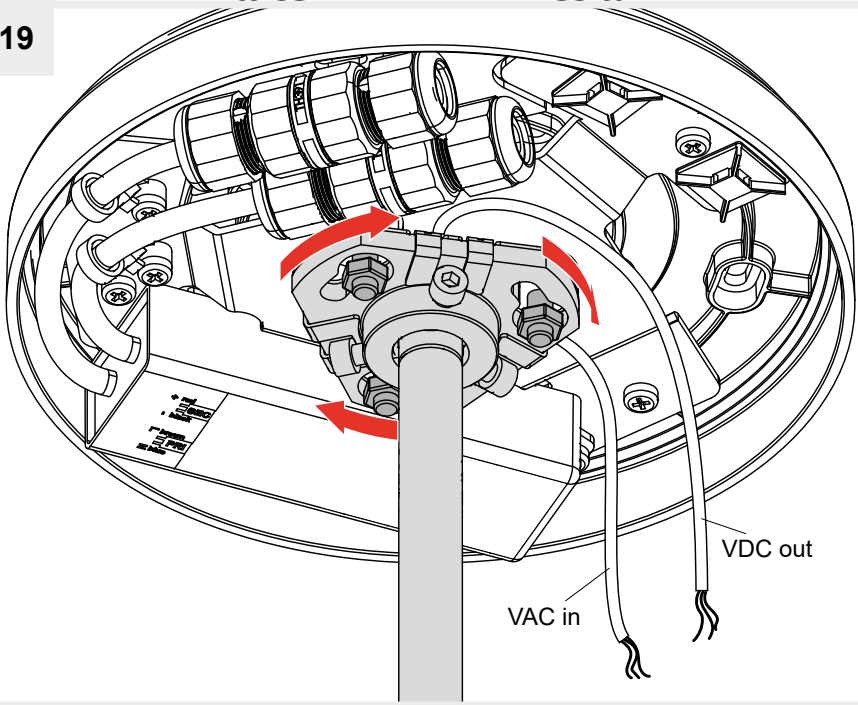


18

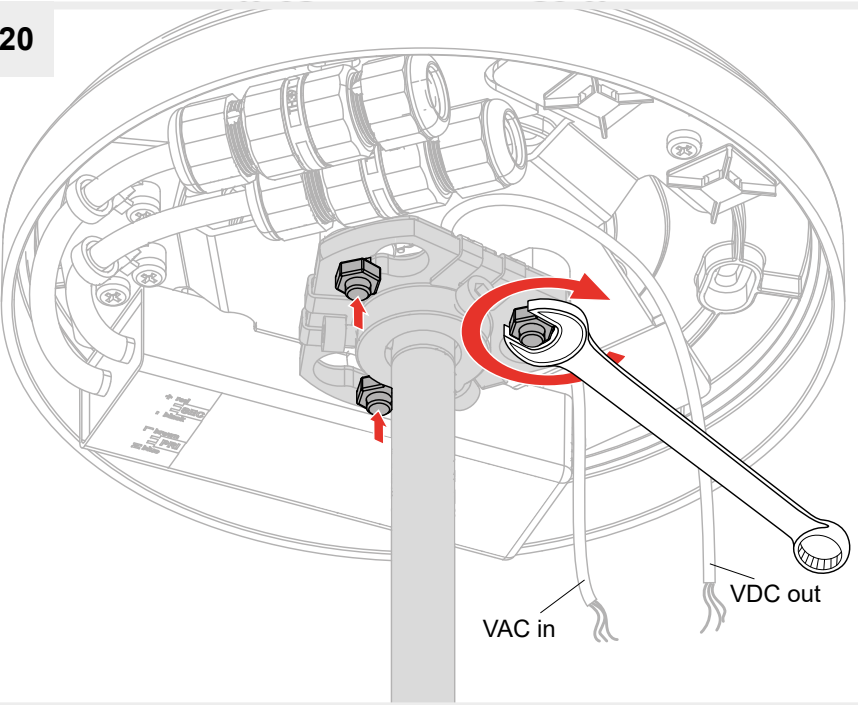




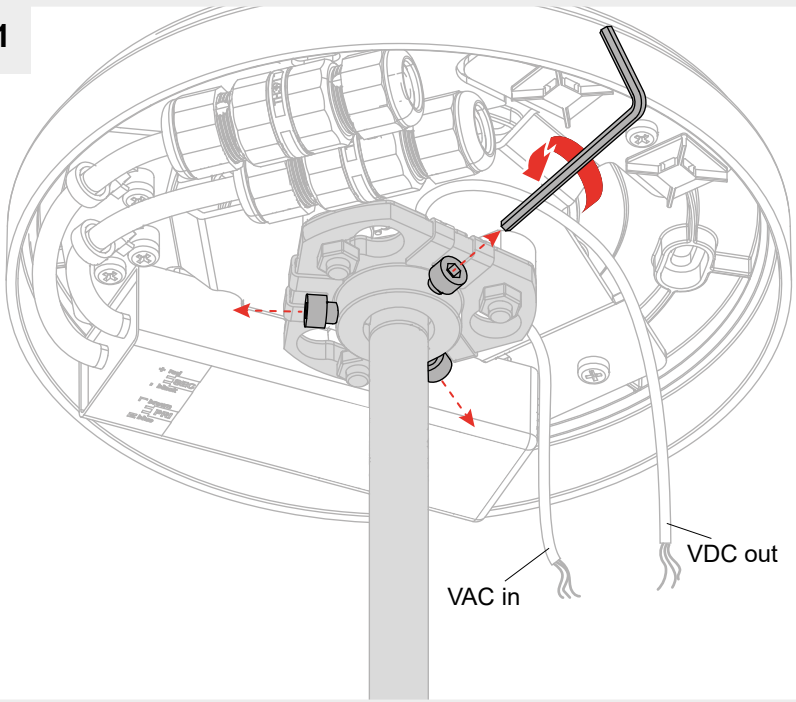
19



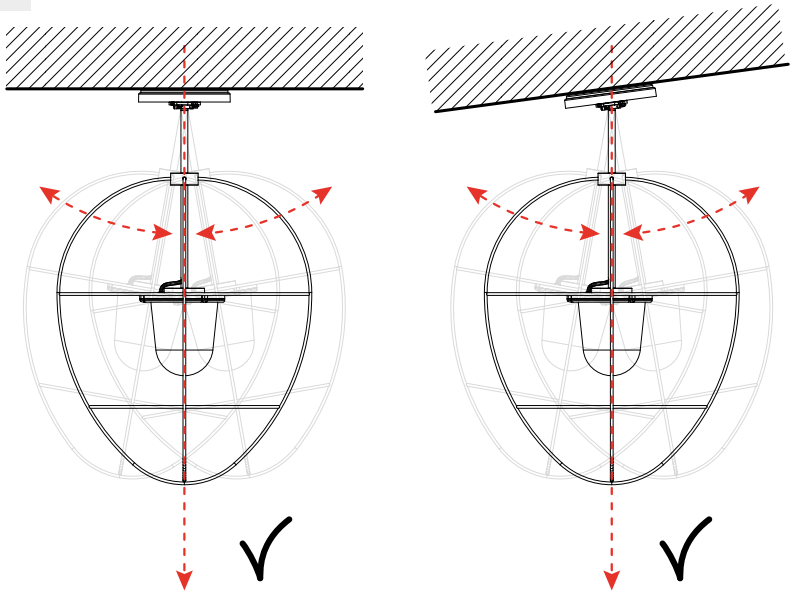
20



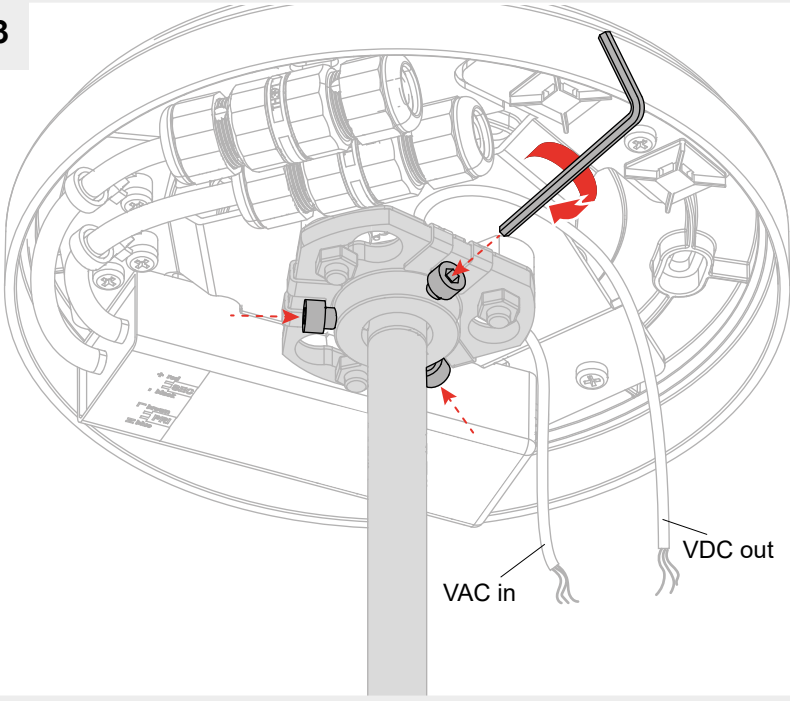
21



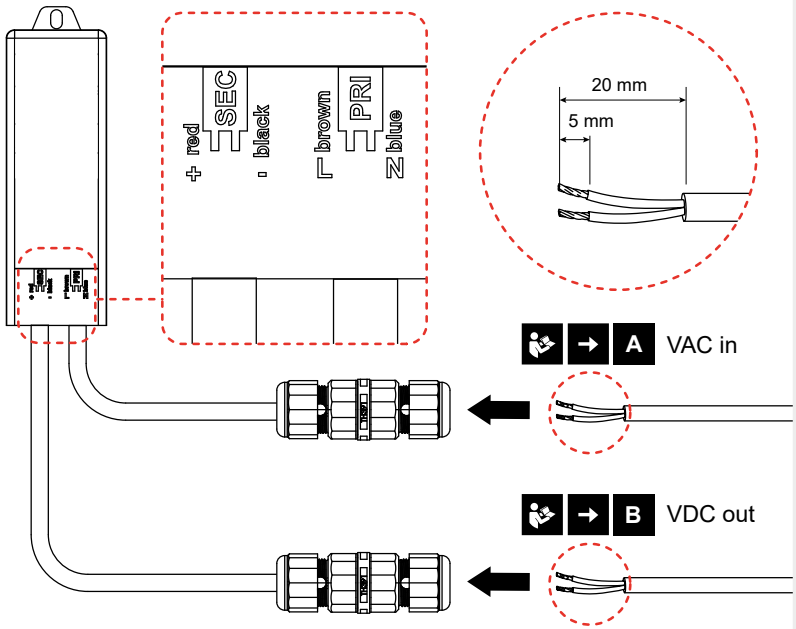
22

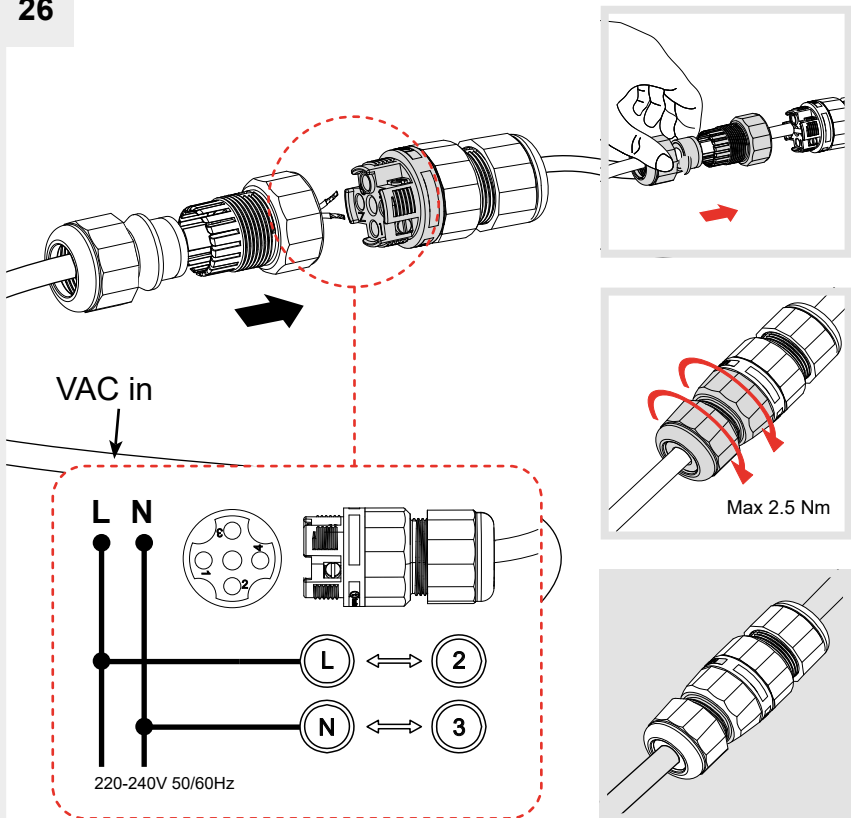
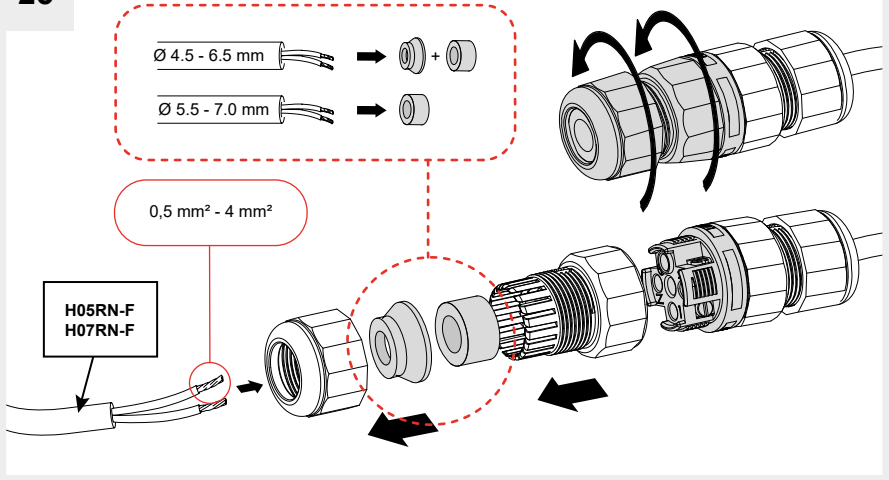


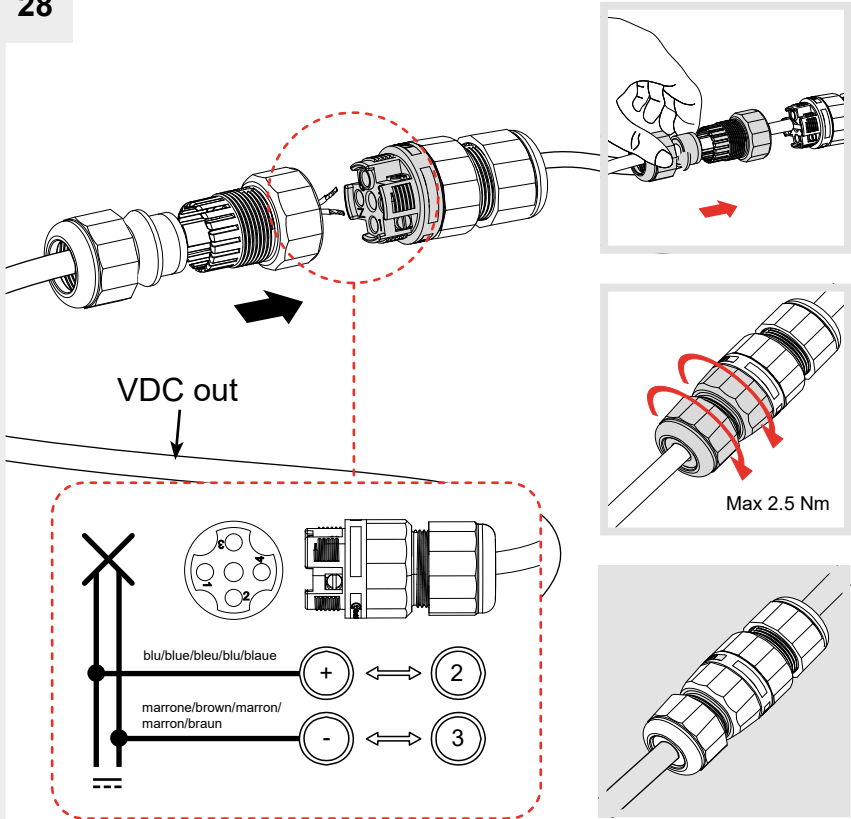
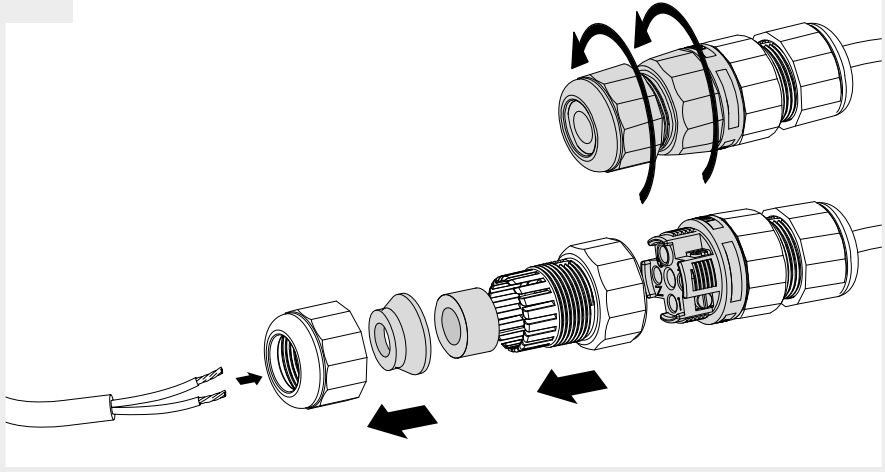
23



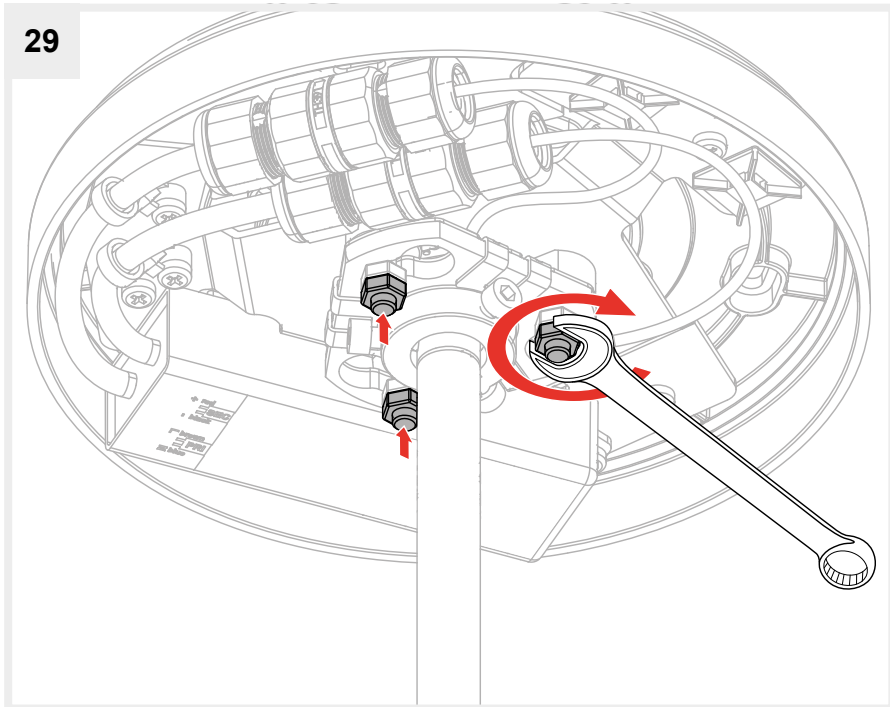
24



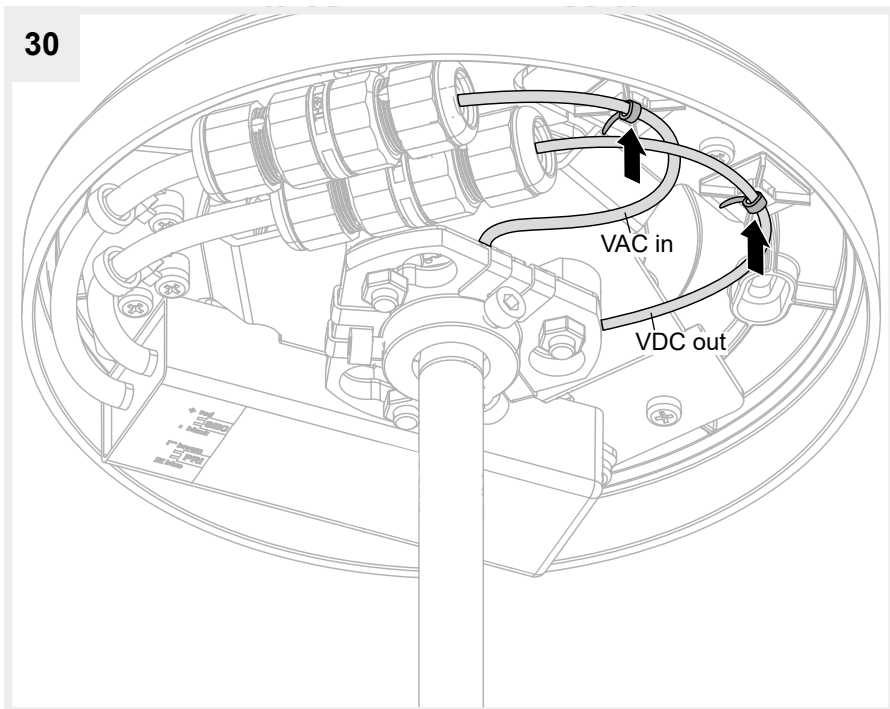




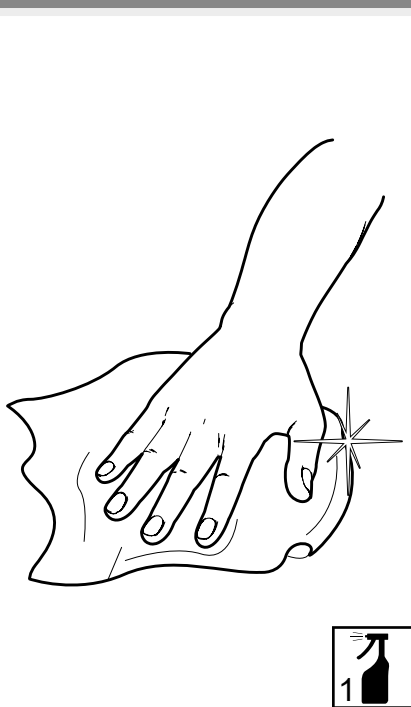
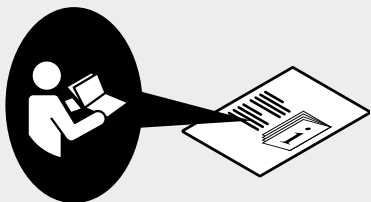
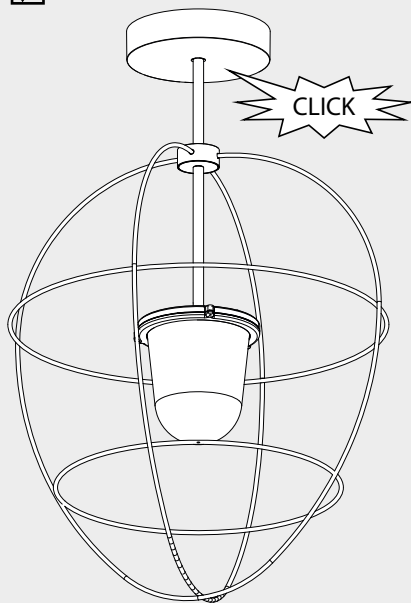
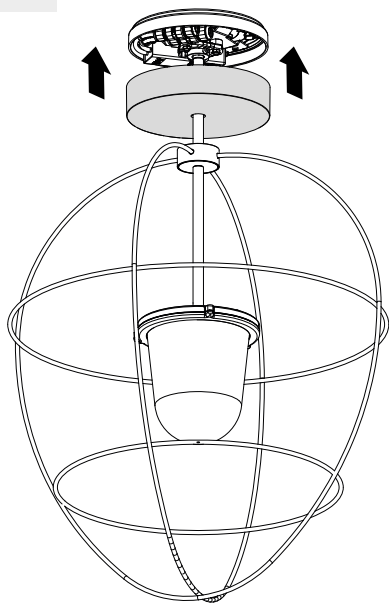
29



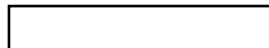
30



31



**Artemide®**



**Artemide**

via Bergamo, 18  
20010 Pregnana M.se (MI)  
ITALIA

tel. +39 02 935 181  
fax +39 02 935 90 254  
fax +39 02 935 90 496

[www.artemide.com](http://www.artemide.com)

VAT IT00846890150

cod. Y513001445A