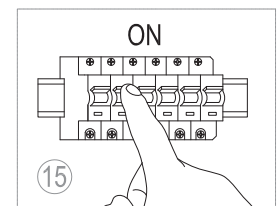
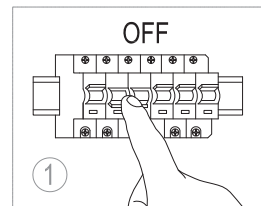
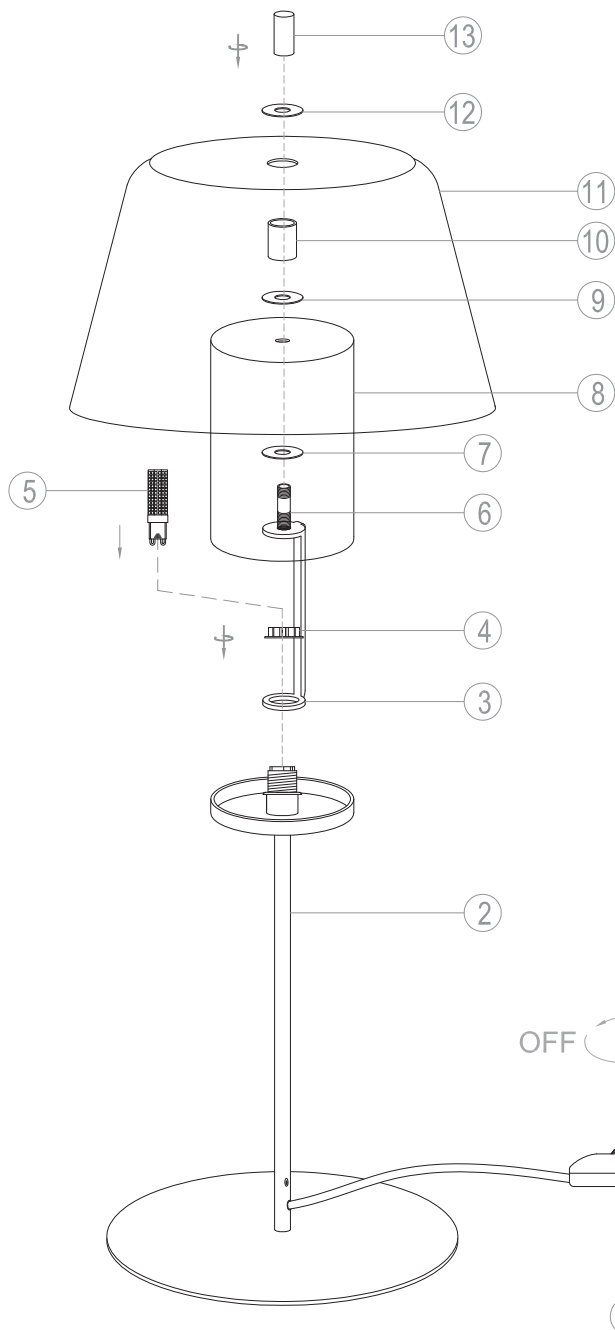


# miloox®

Model: 1744.313.BLUSKY  
 1744.313.SAND  
 1744.313.LIGHTGREEN



16

14

Imported from Miloox  
 a brand of Sforzin Illuminazione  
 Viale dell'industria, 21  
 20037 Paderno Dugnano-Milano-Italy  
 Made in China  
 Design Arch. Davide Negri



TYPE: **G9 LED**  
 1 x MAX 10W  
 LED  
 220~240V 50/60HZ  
 A max :  $\varnothing$  20 mm  
 B max : 80 mm  
[www.miloox.com](http://www.miloox.com)