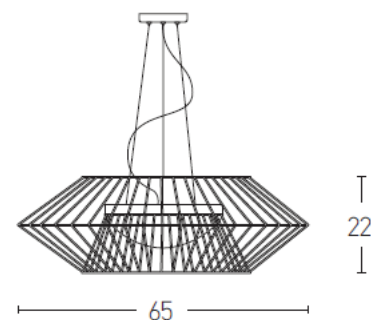


Indoor Lighting

1545 Pendant Light

Bulb:	3x E27 MAX 40W
Voltage:	220-240V
Operating Frequency:	50/60HZ
IP:	IP20
Class:	I
Color:	Black Matt
Material:	Metal - Opal Glass
Diameter:	65 cm
Height:	22 cm
Available Cable:	120 cm
Net Weight:	4.5kg



Description

Modern pendant light made by metal & Opal Glass in Black matt finish..

E27
LAMP



5213006843433



PRODUCT DATA SHEET