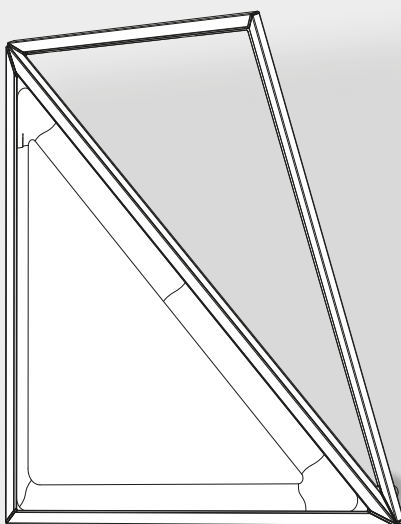
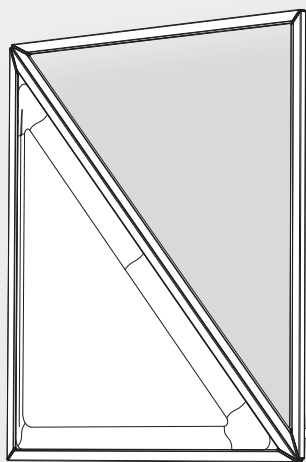


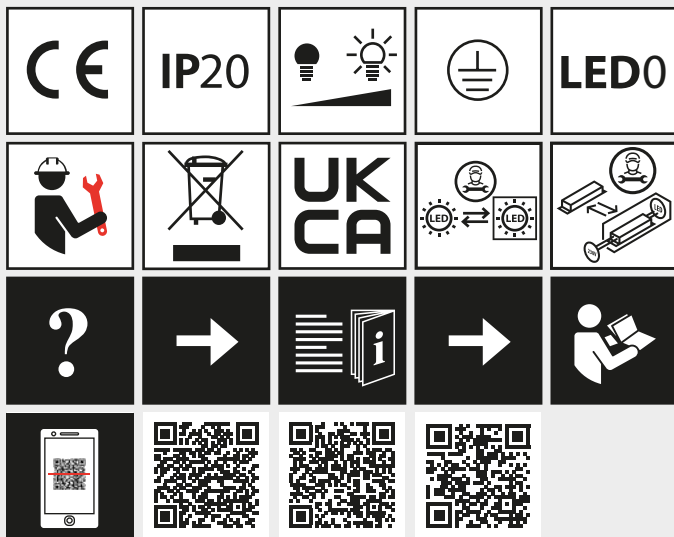
FLEXIA

design
Mario Cucinella

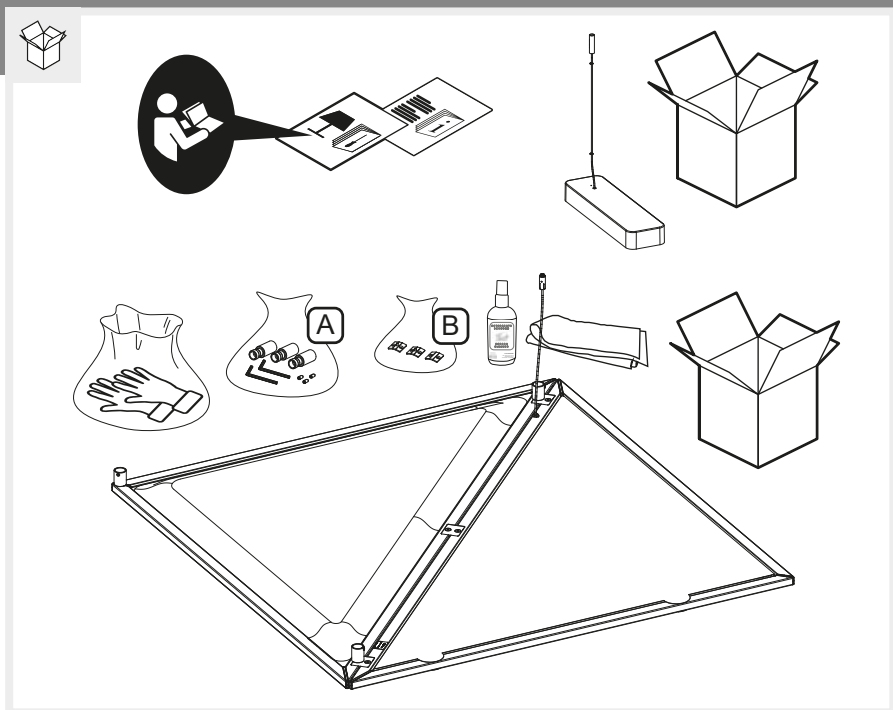


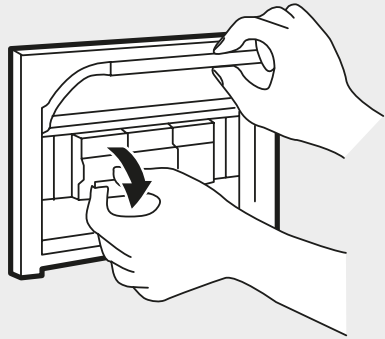
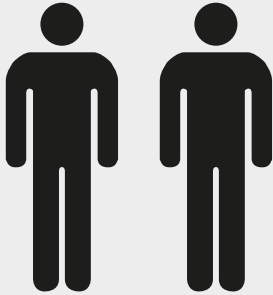


i



Artemide App
Quick Starting Guide





i

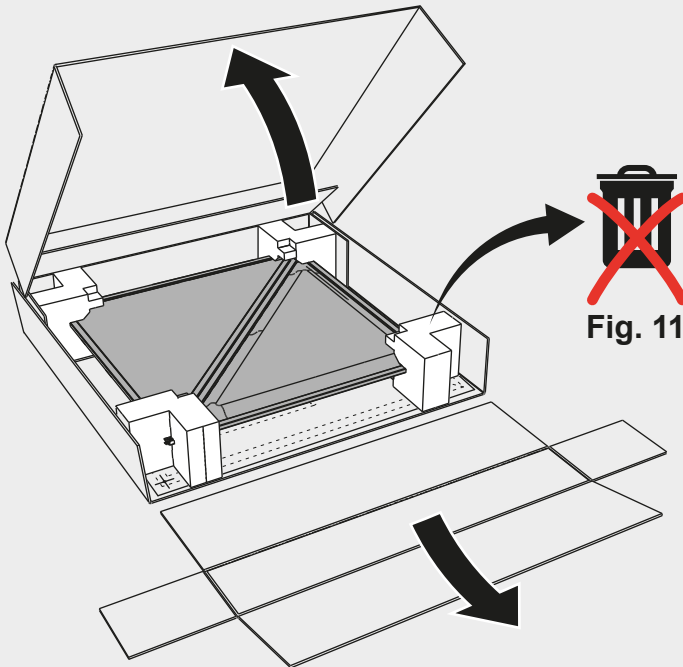
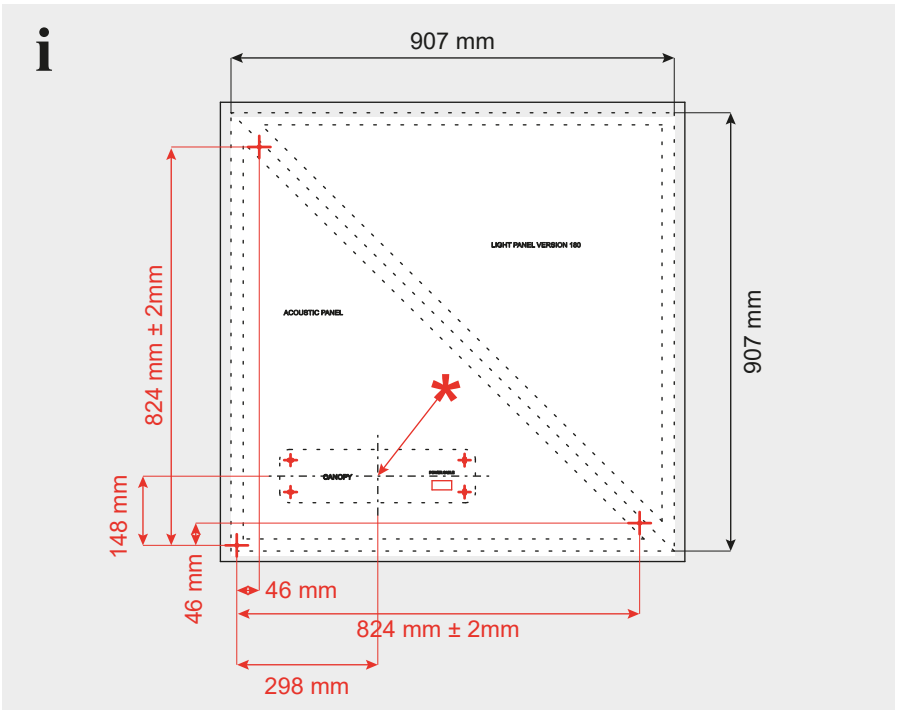
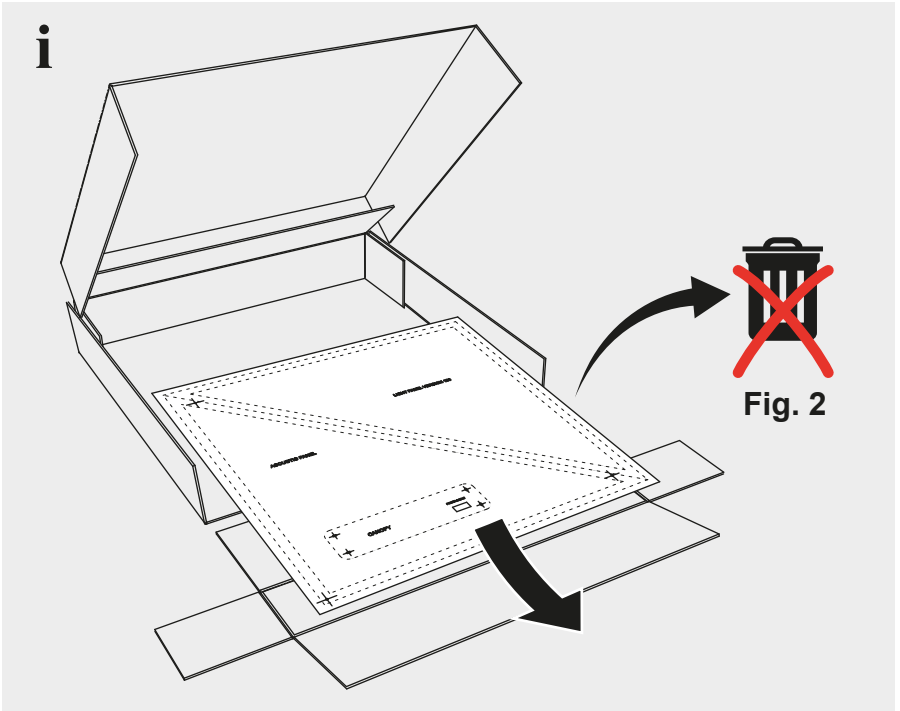
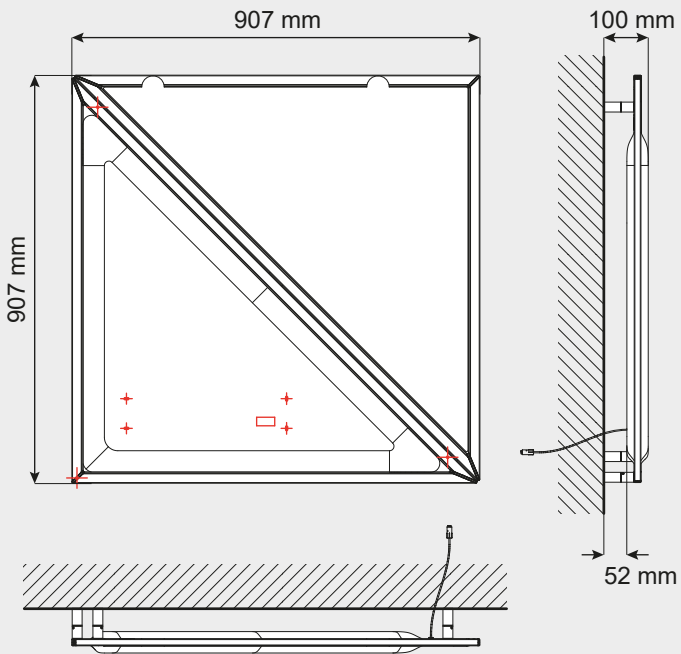
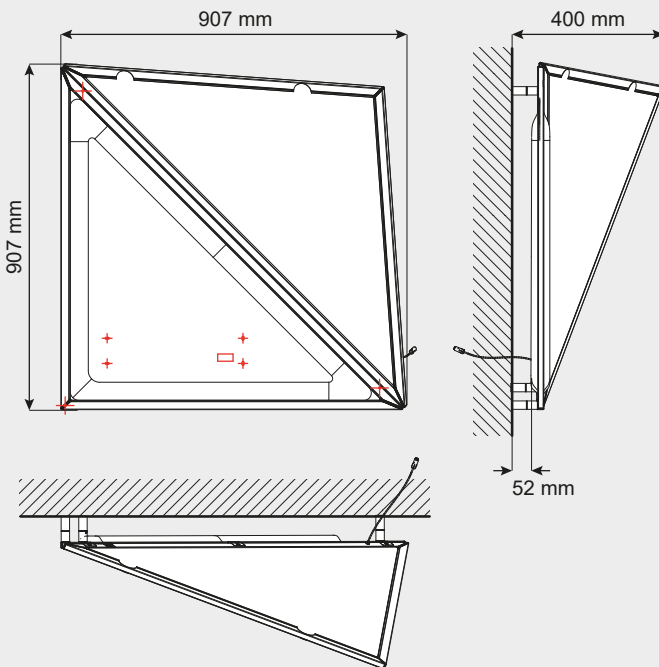
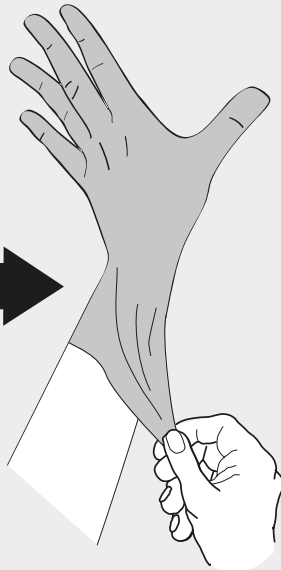
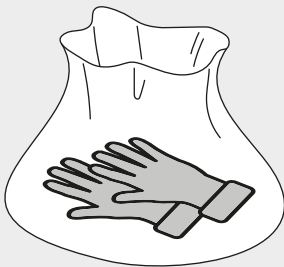
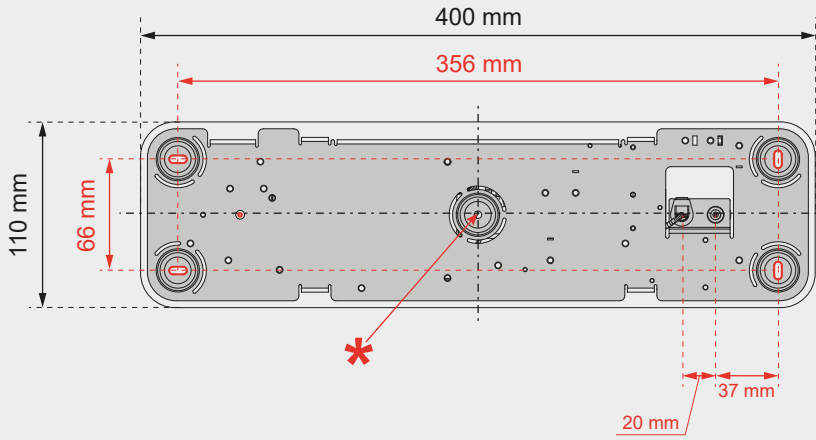


Fig. 11

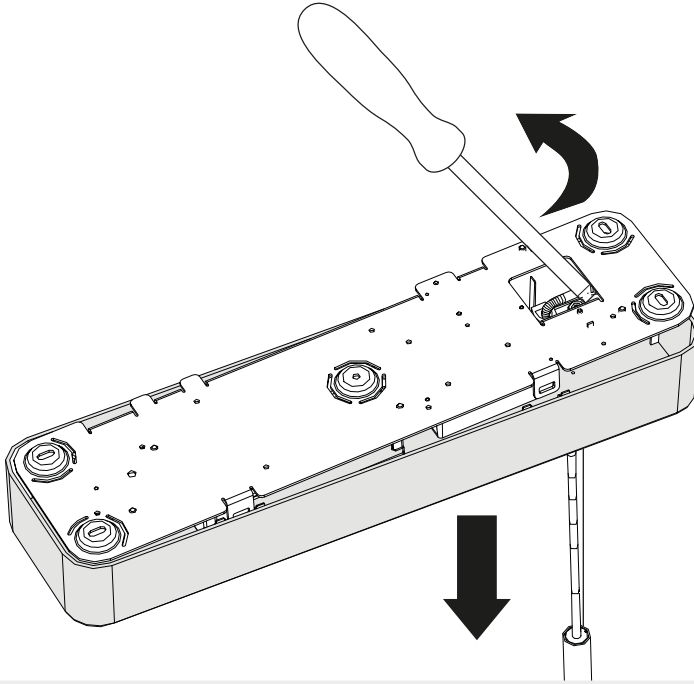


i**180°****i****150°**

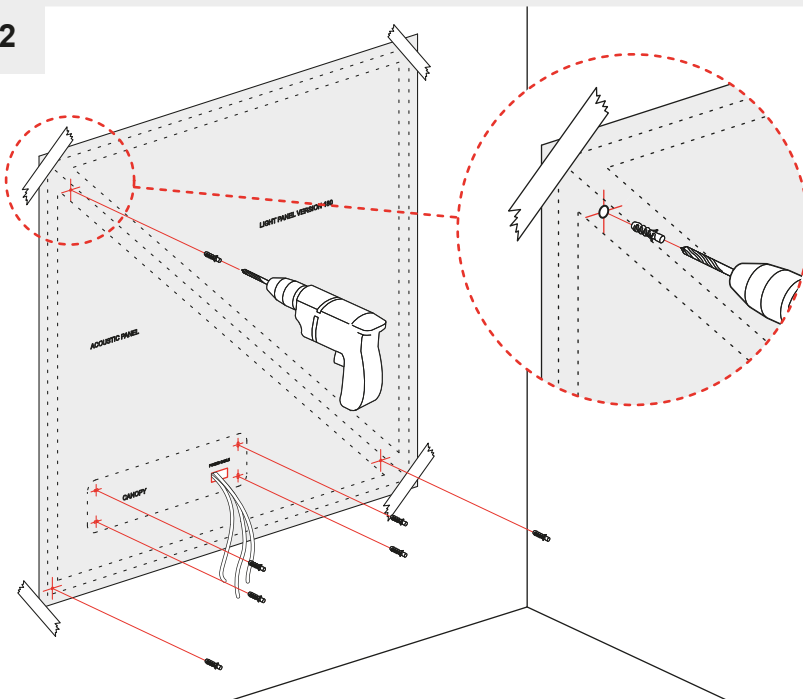
i



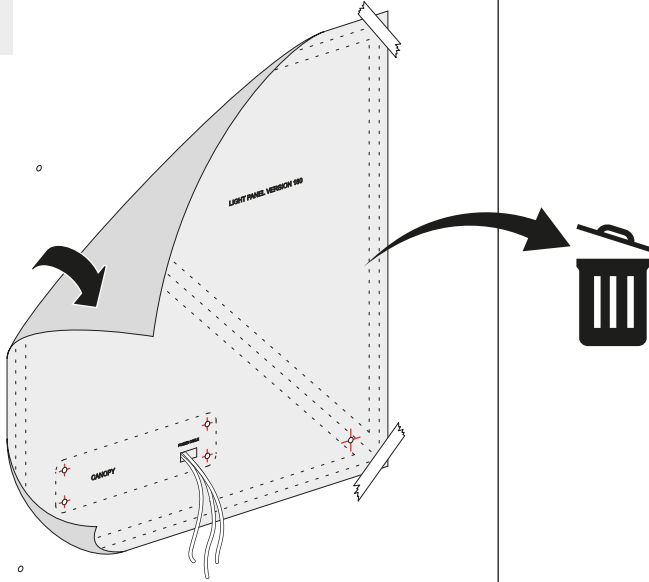
1



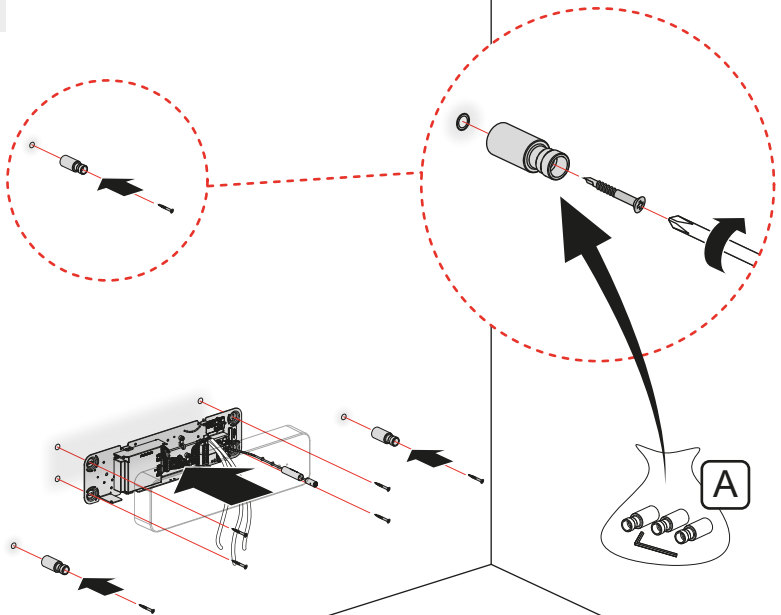
2

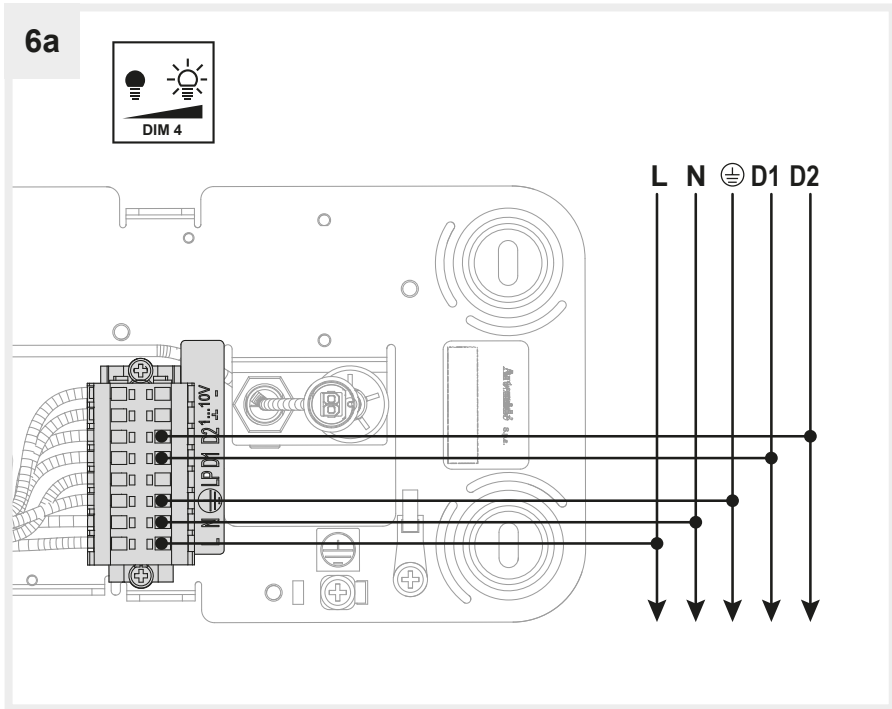
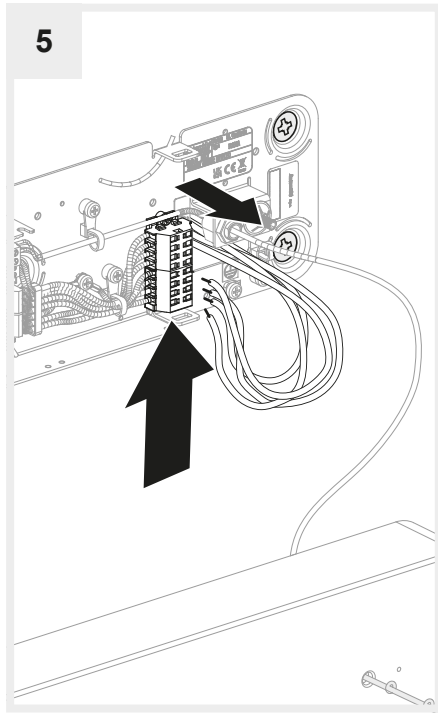
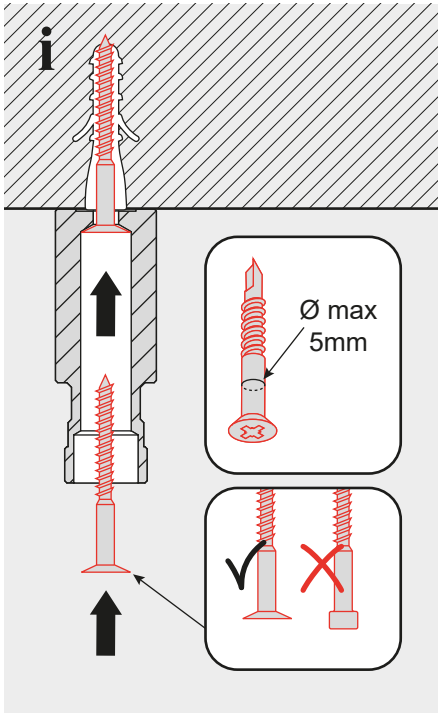


3

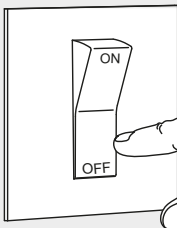
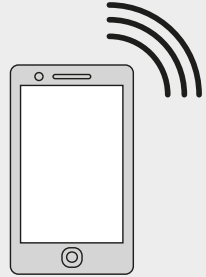
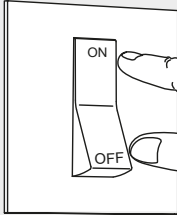
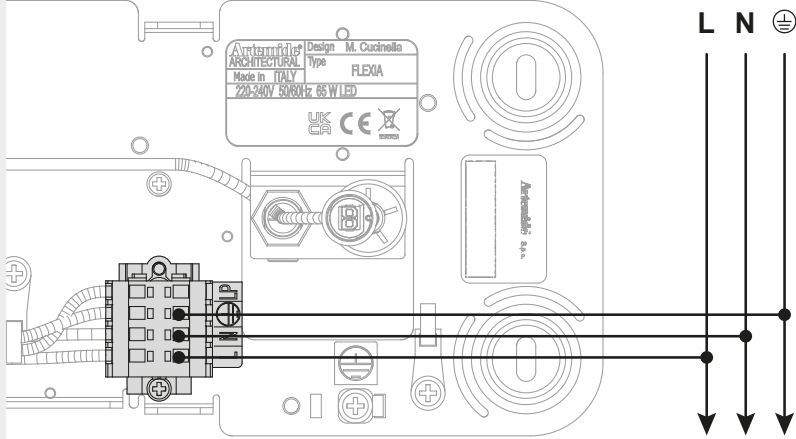


4

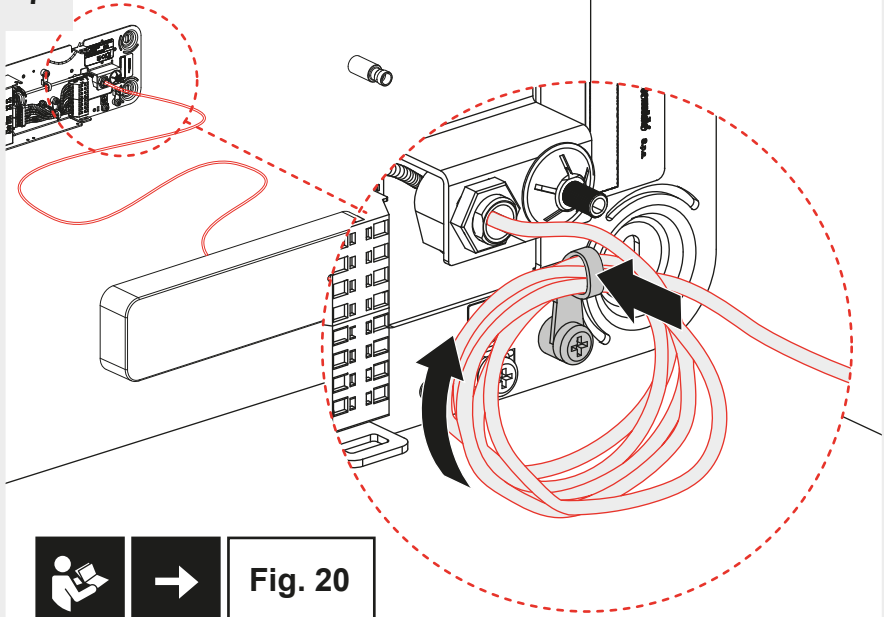




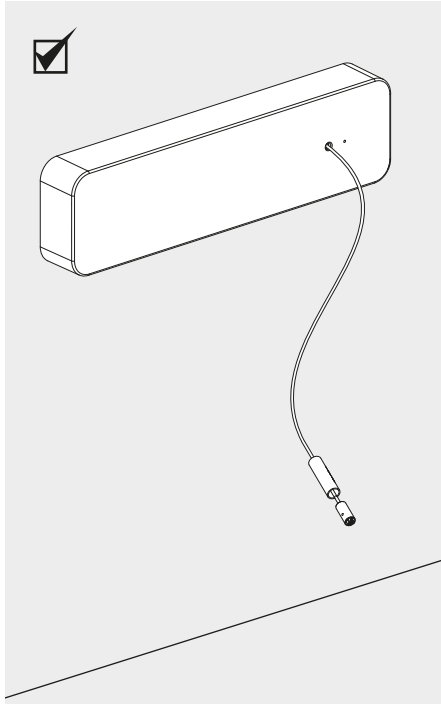
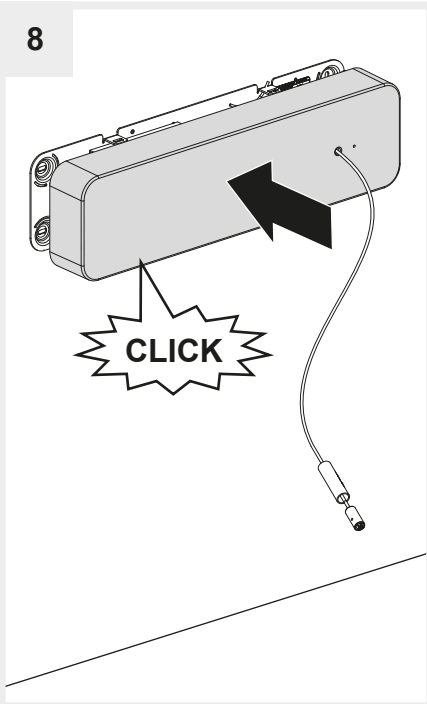
6b

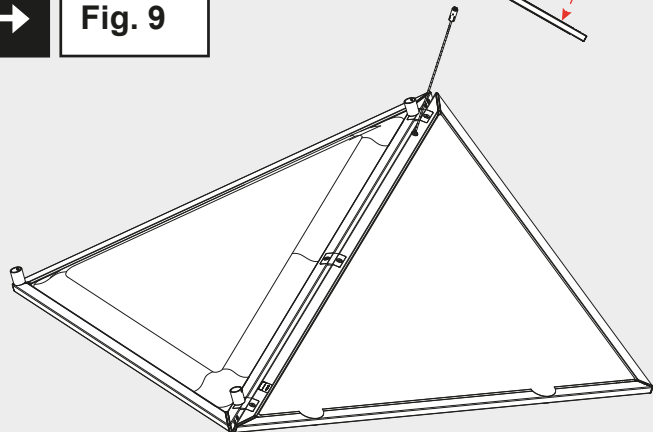
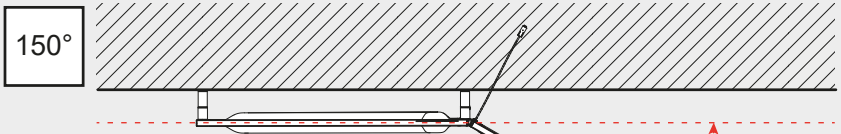
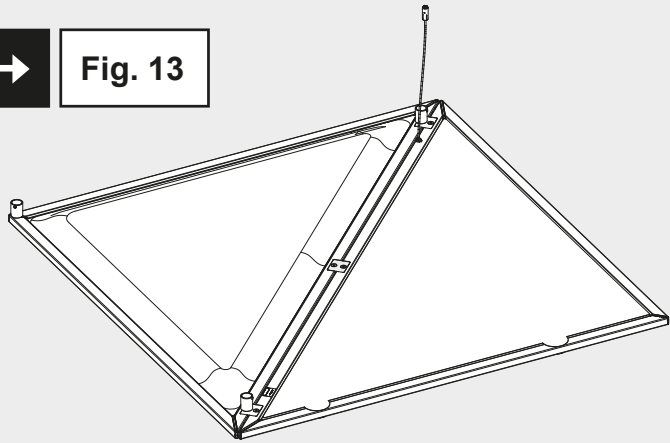
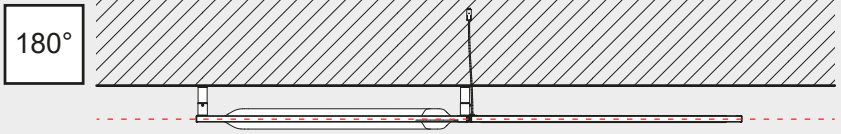


7



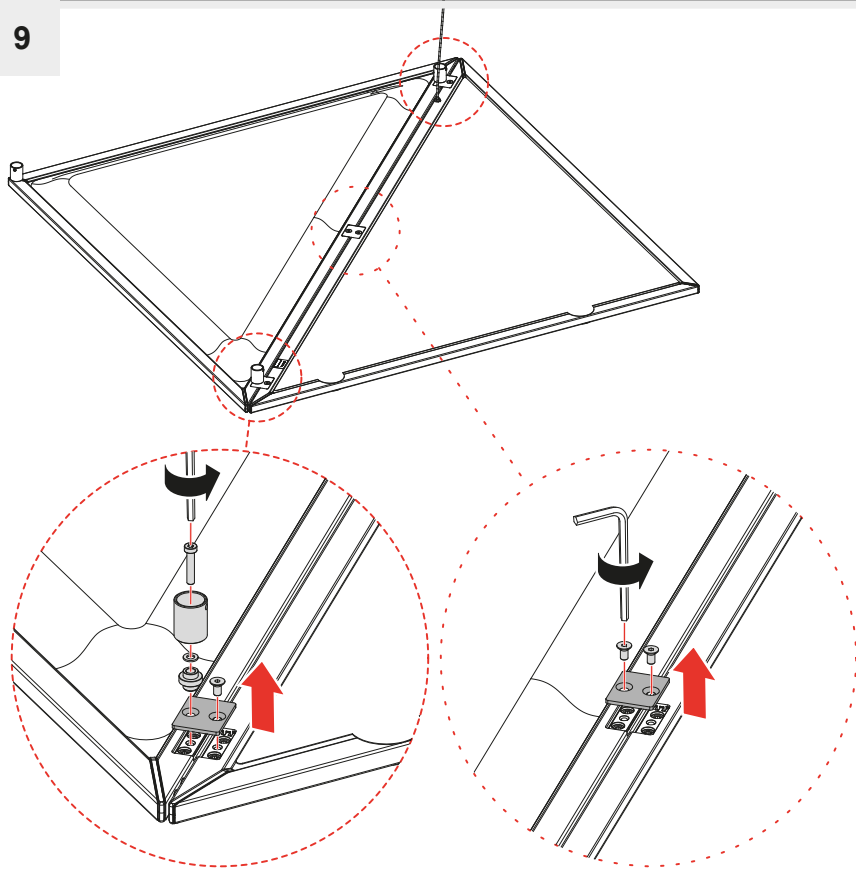
8



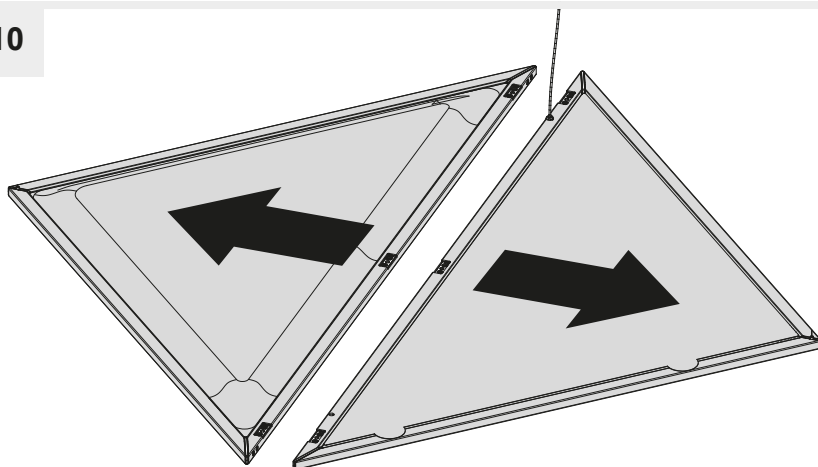


9

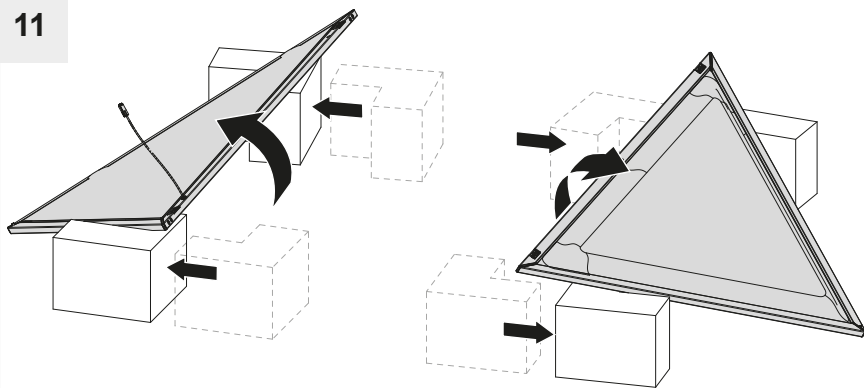
150°



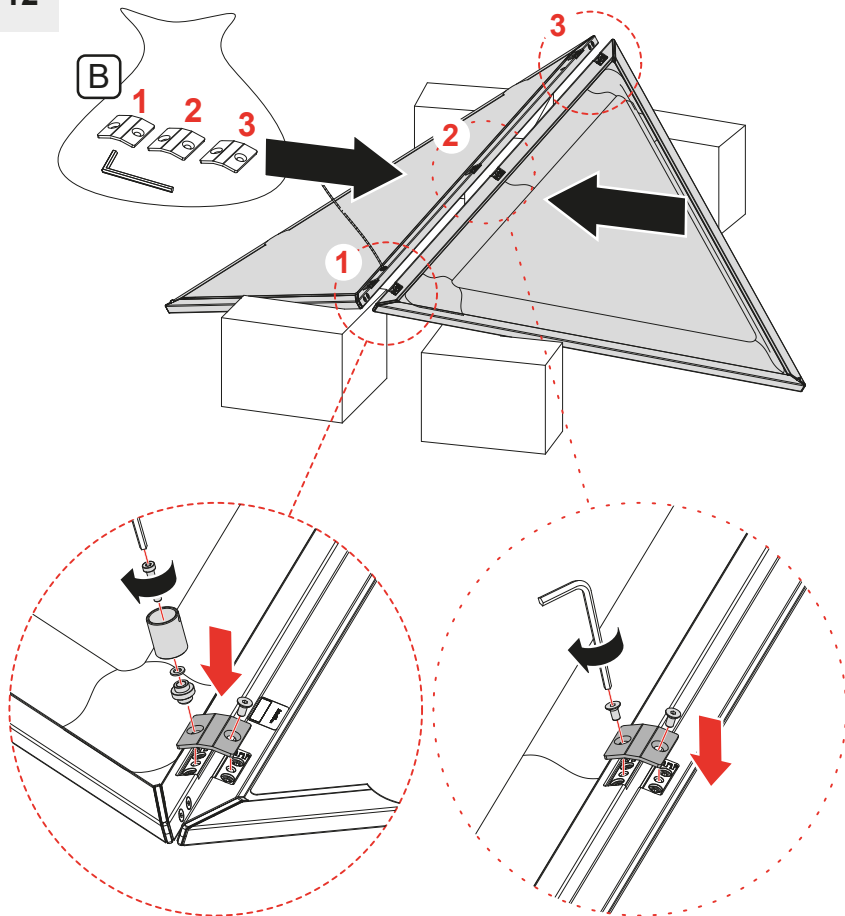
10



11



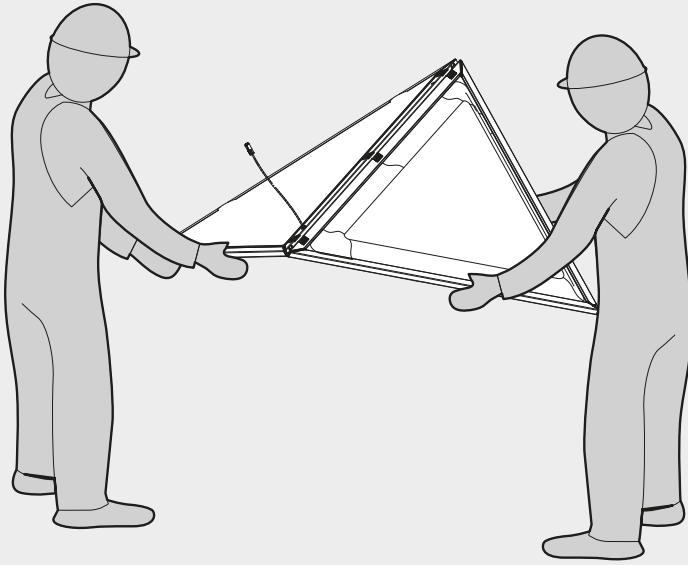
12



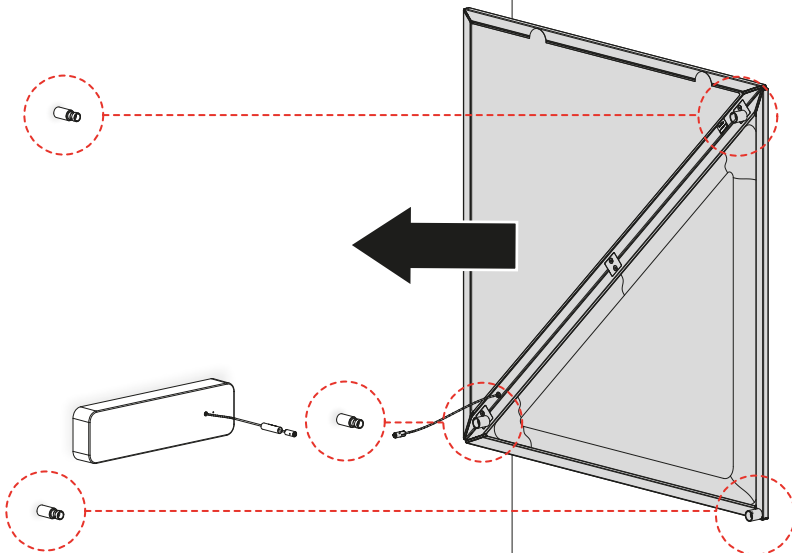


180°

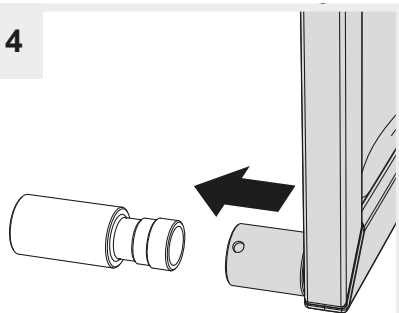
150°



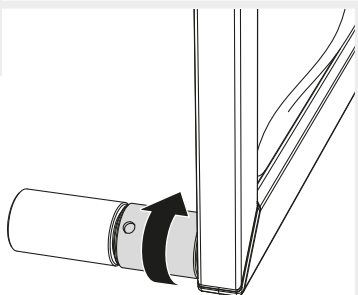
13



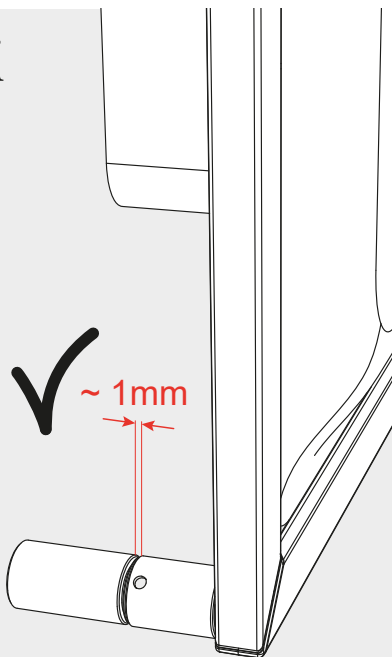
14



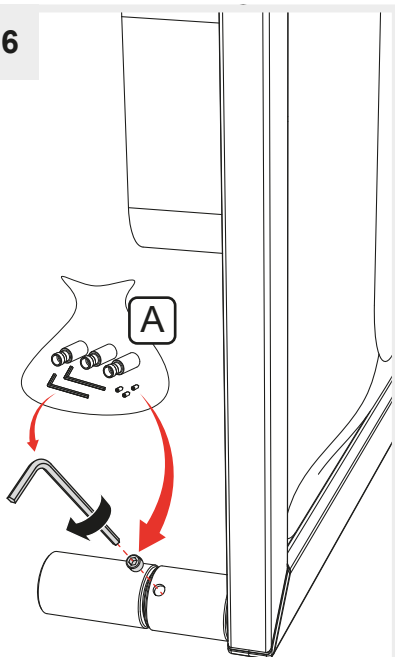
15



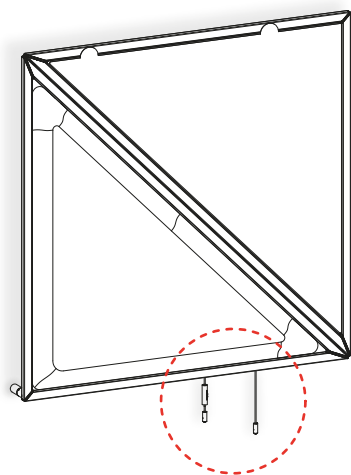
i



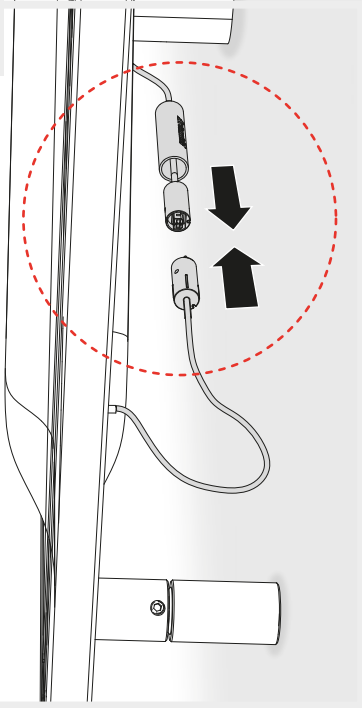
16



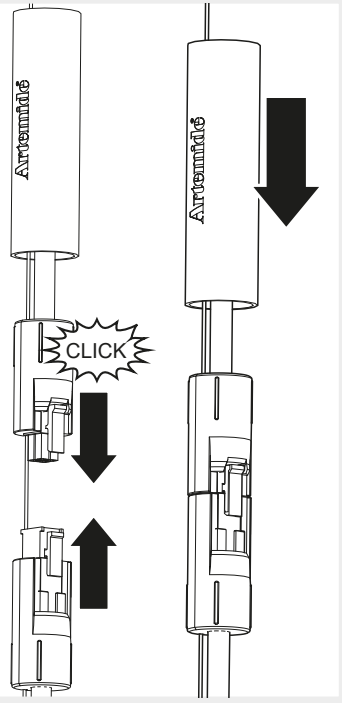
17



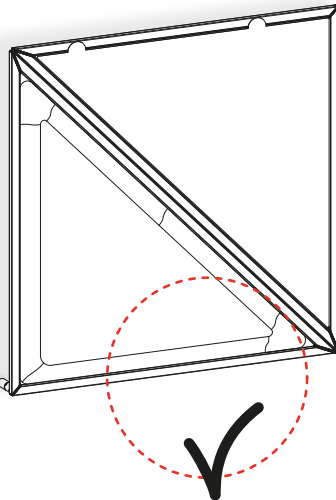
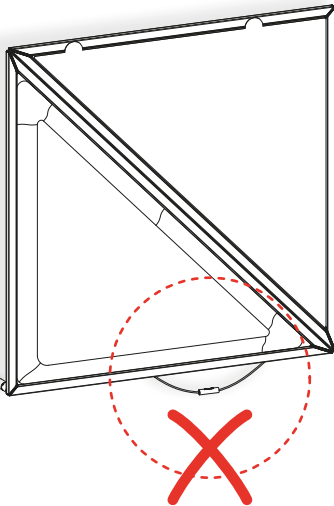
18



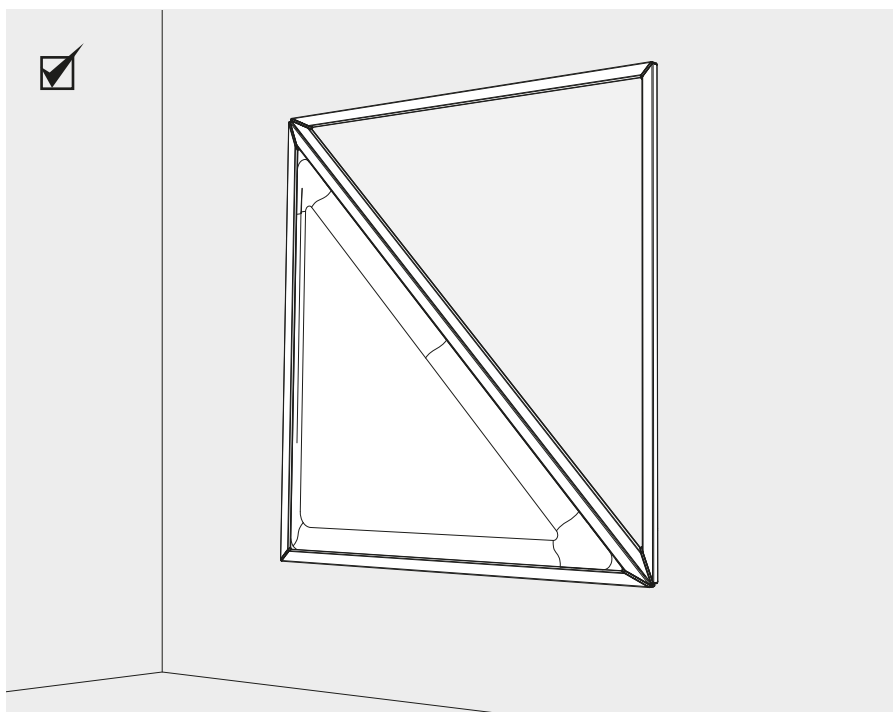
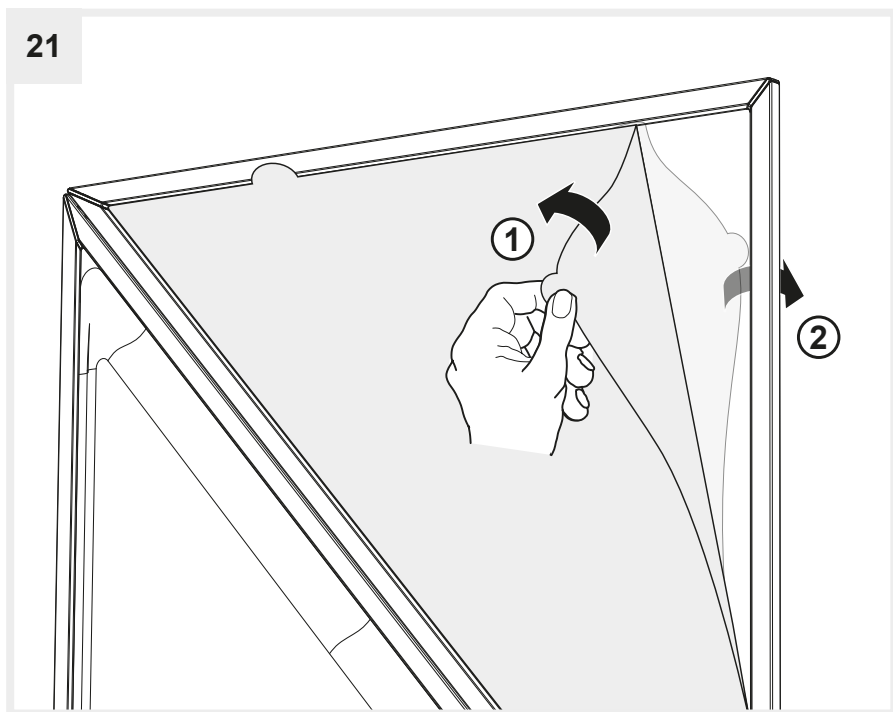
19

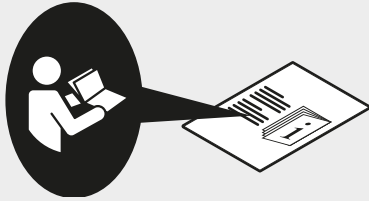


20

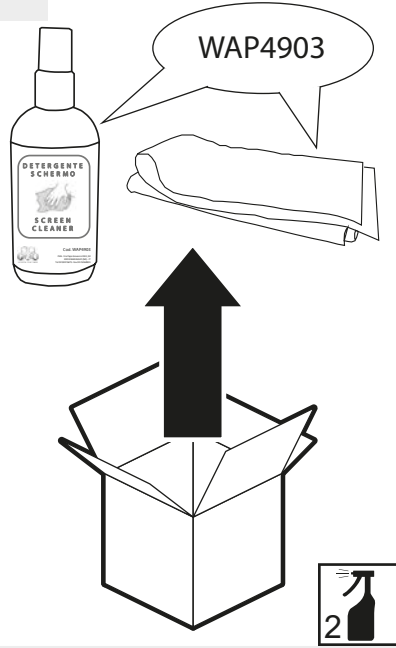


21

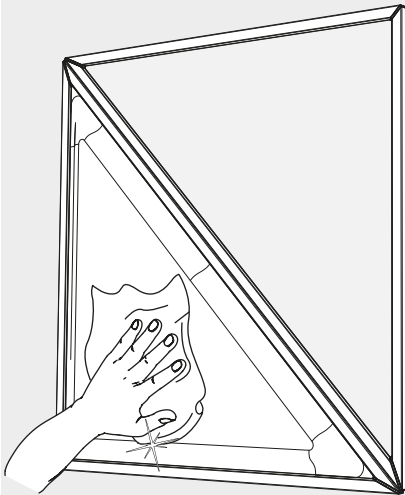




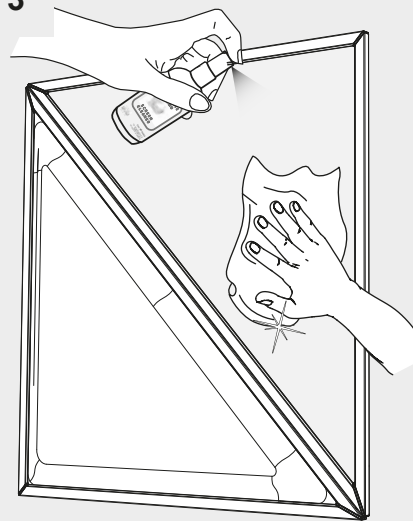
1

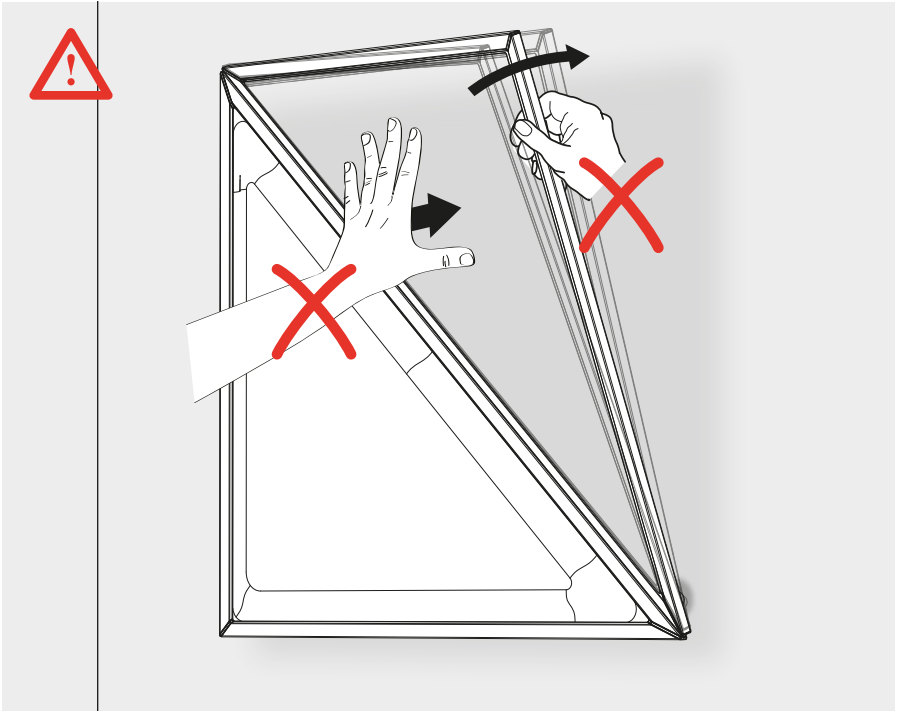


2

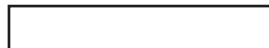


3





Artemide®



Artemide

via Bergamo, 18
20010 Pregnana M.se (MI)
ITALIA

tel. +39 02 935 181
fax +39 02 935 90 254
fax +39 02 935 90 496

www.artemide.com

VAT IT00846890150

cod. Y513001602