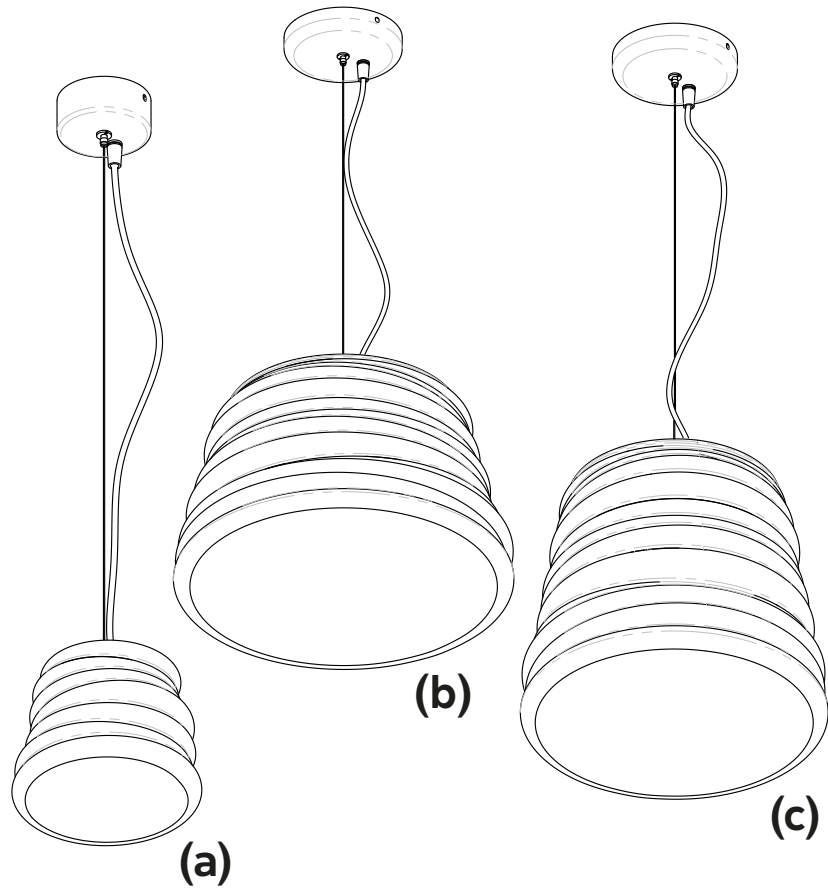


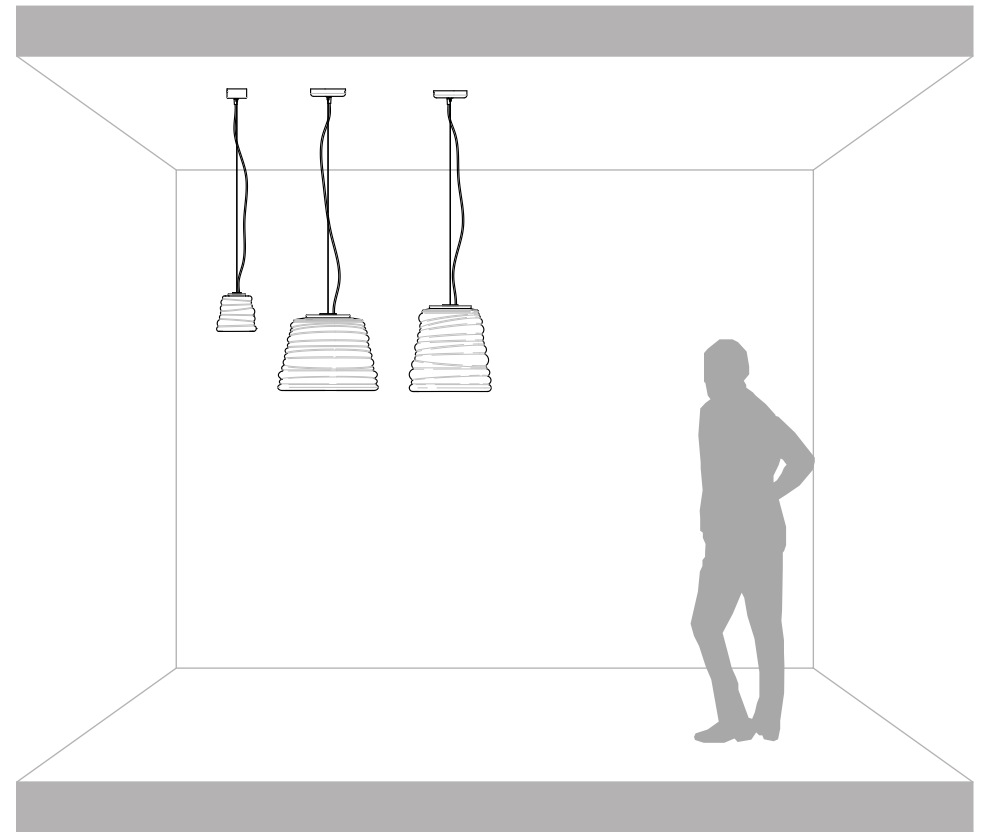
# Bibendum



(a) SE198 AT  
SE198 AD

(b) SE198 BT  
SE198 BD

(c) SE198 CT  
SE198 CD



Karman srl

Via A. Grandi, San Martino del piano, 61034 Fossombrone (PU), Italy  
p.iva 02175640412 tel +39 0721 71 5042 r.a fax +39 0721 716640 - [www.karmanitalia.it](http://www.karmanitalia.it)

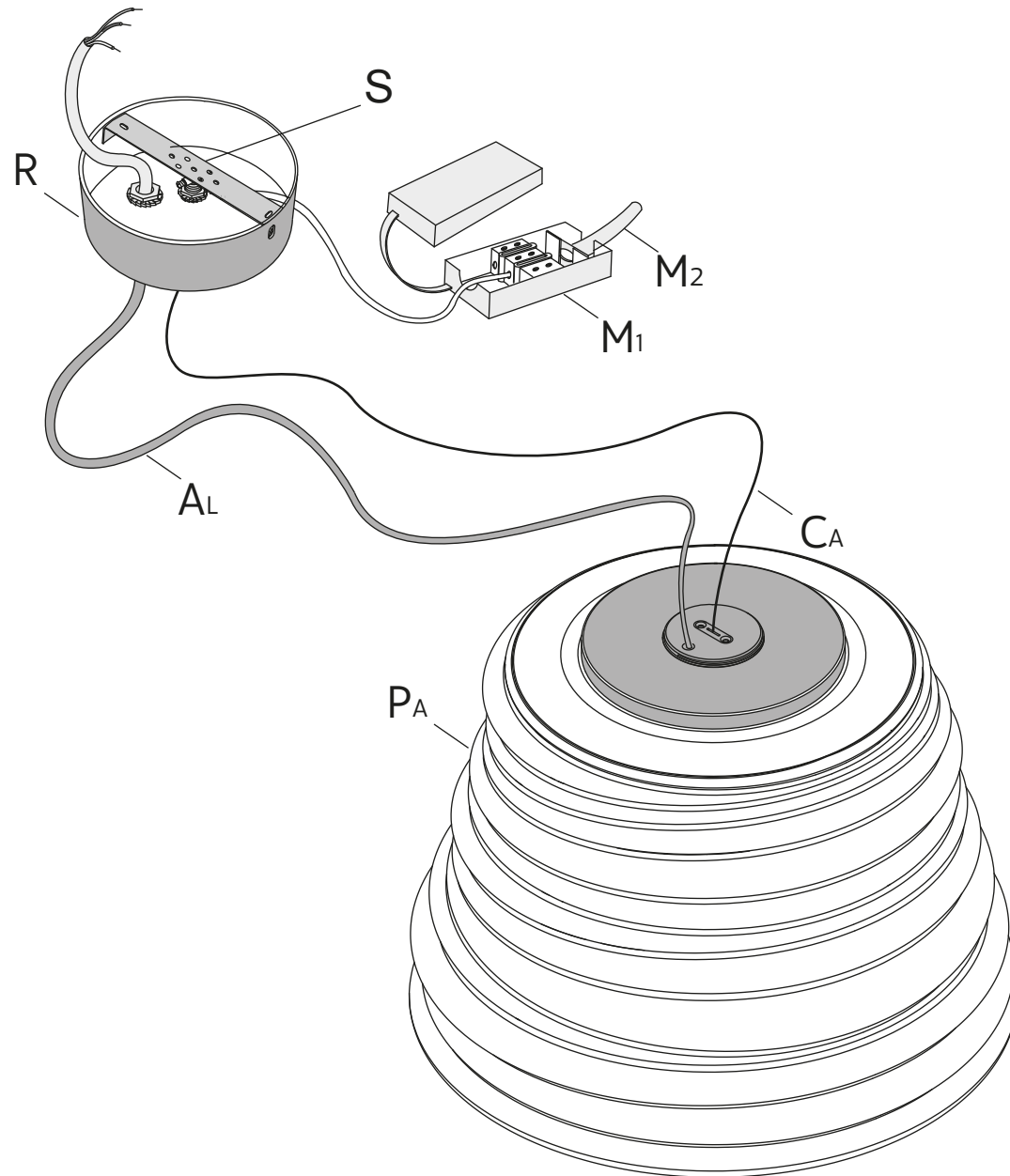
# KARMAN

220-240 V.  
scheda led 8W (a)  
scheda led 17W (b/c)

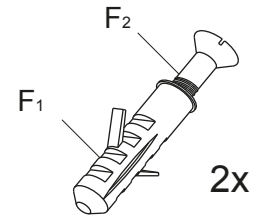


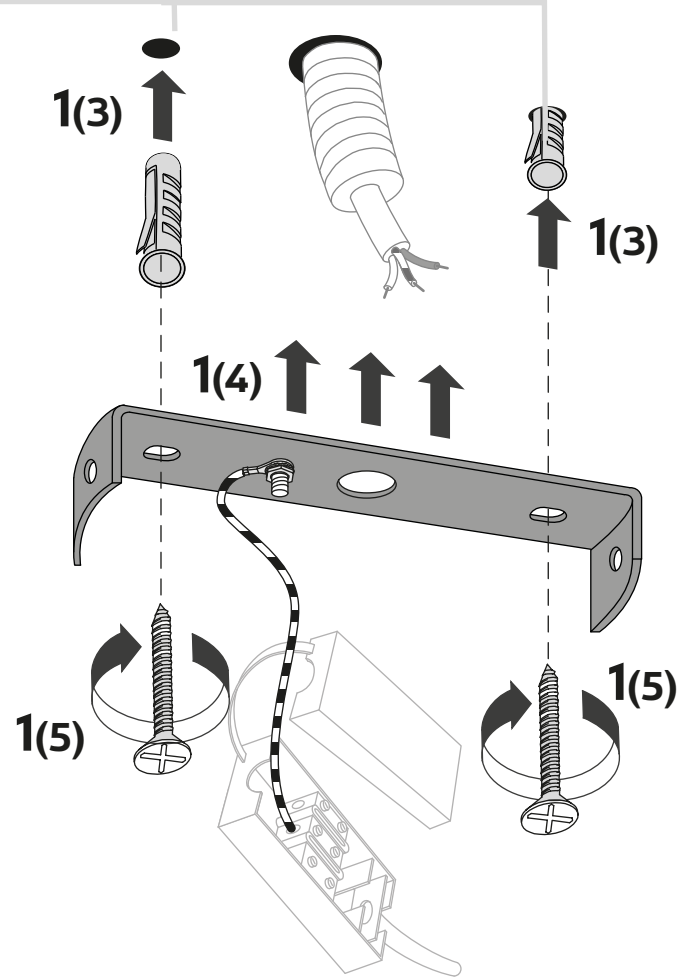
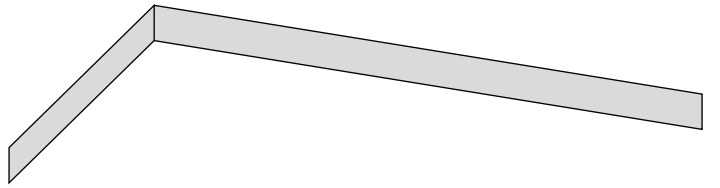
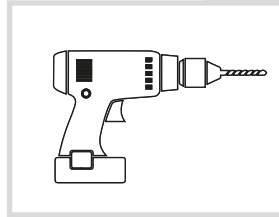
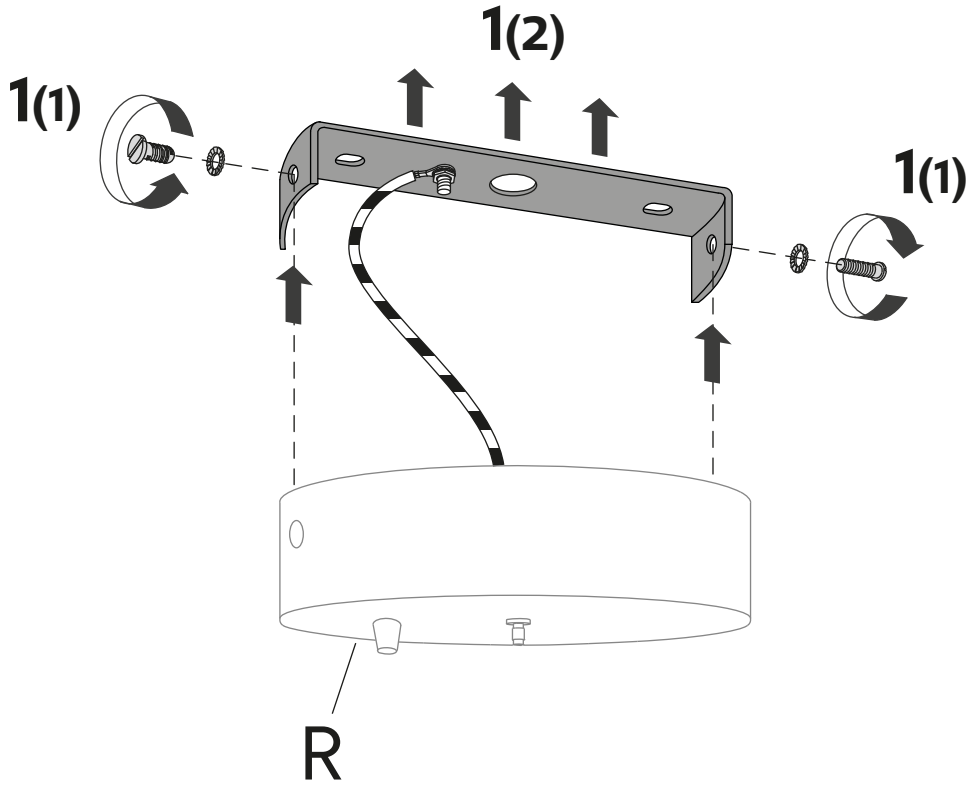
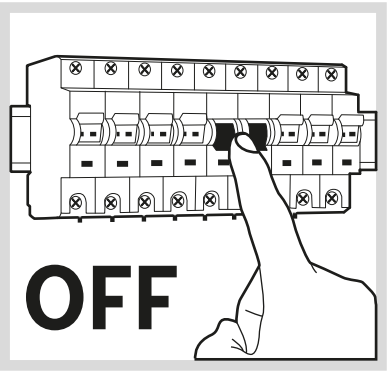


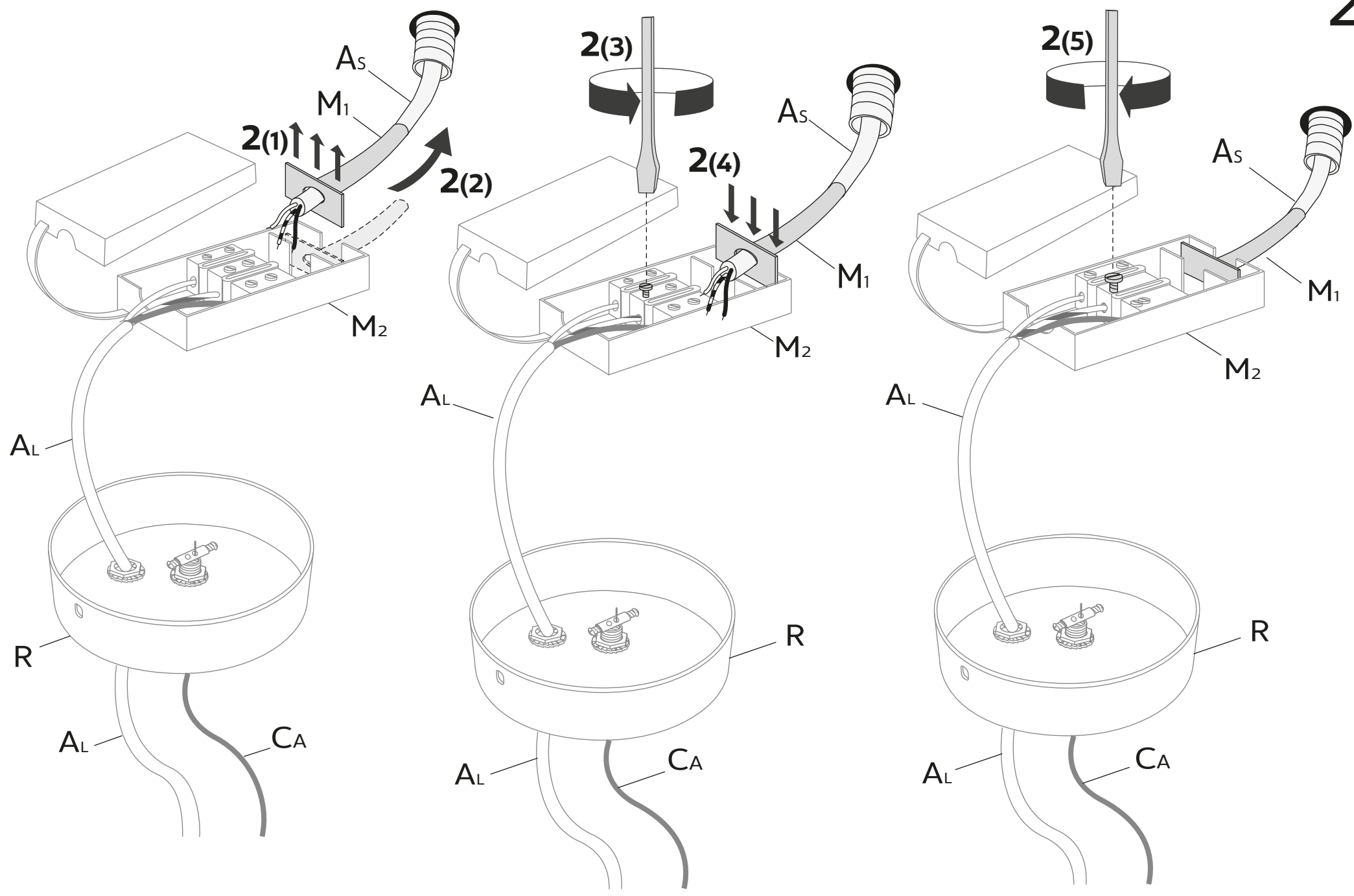
# C - 01

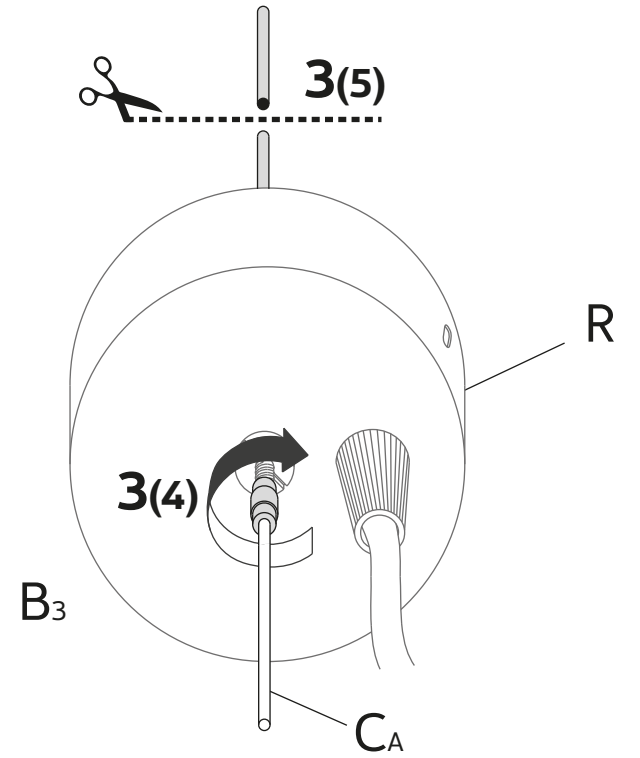
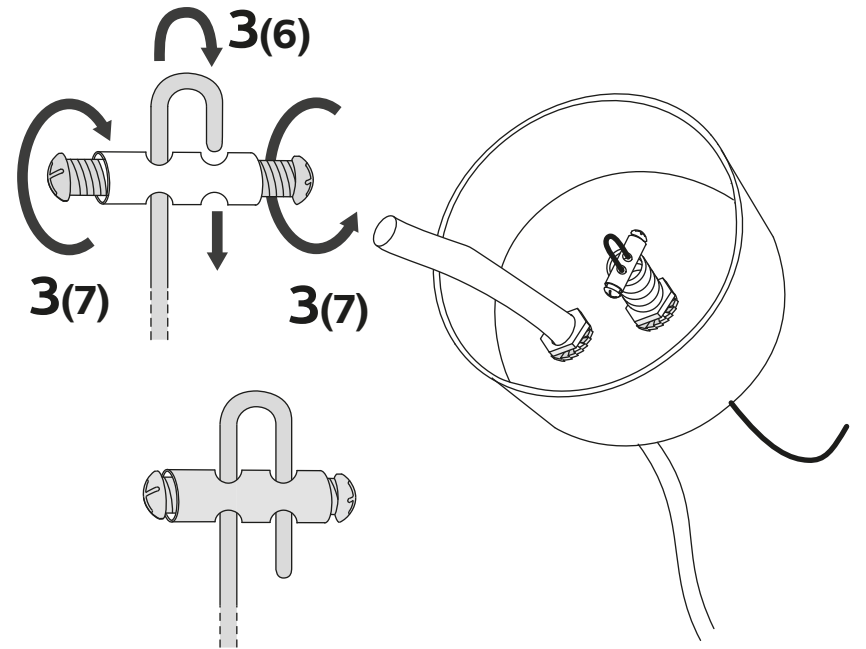
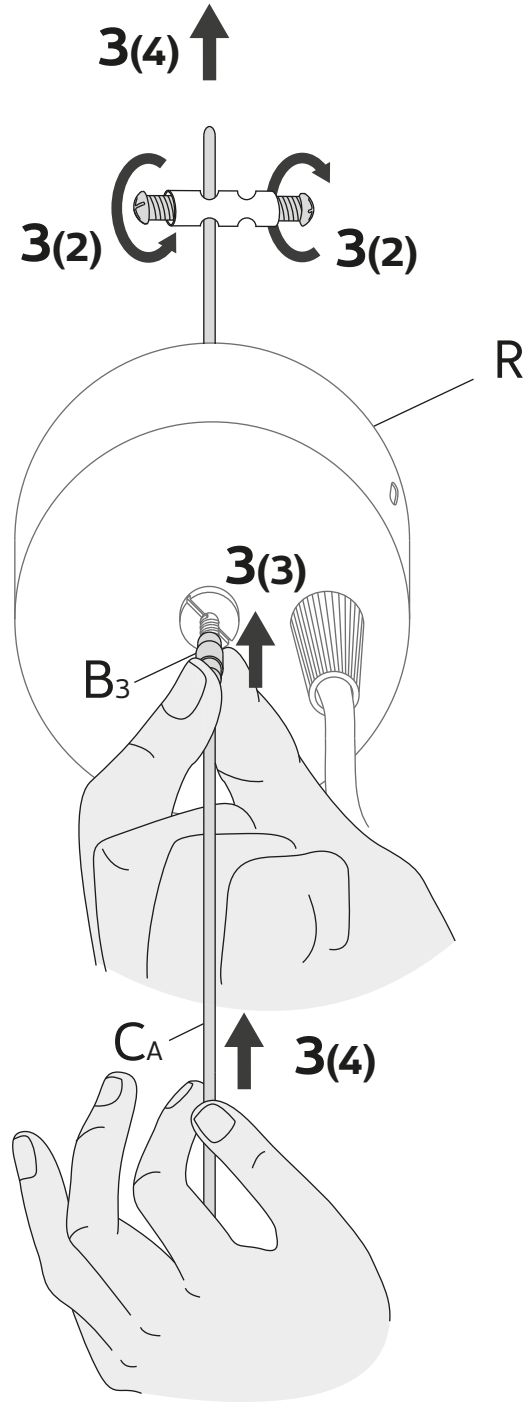
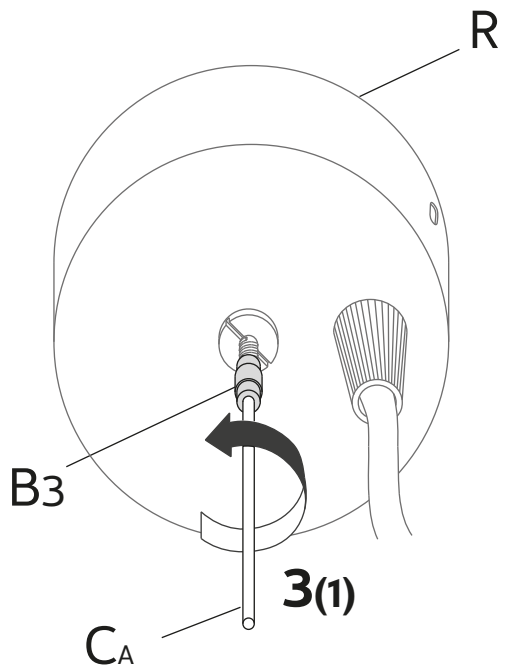
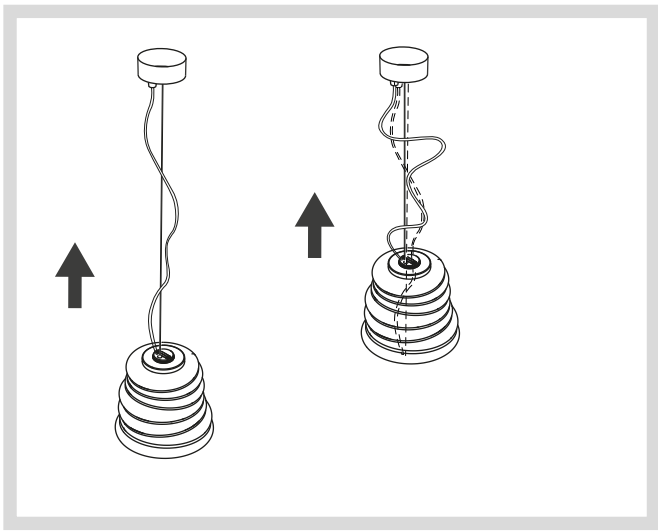


F



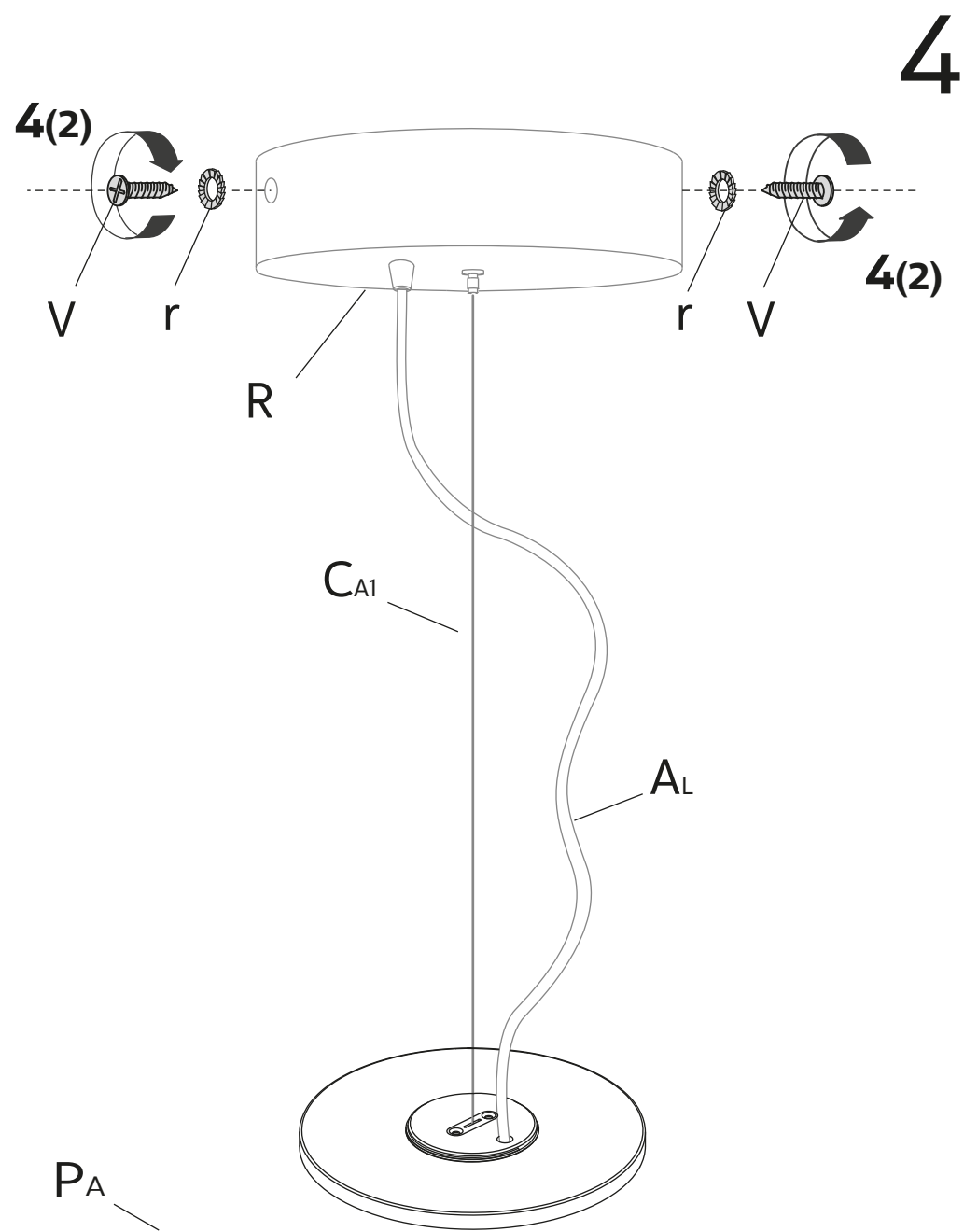
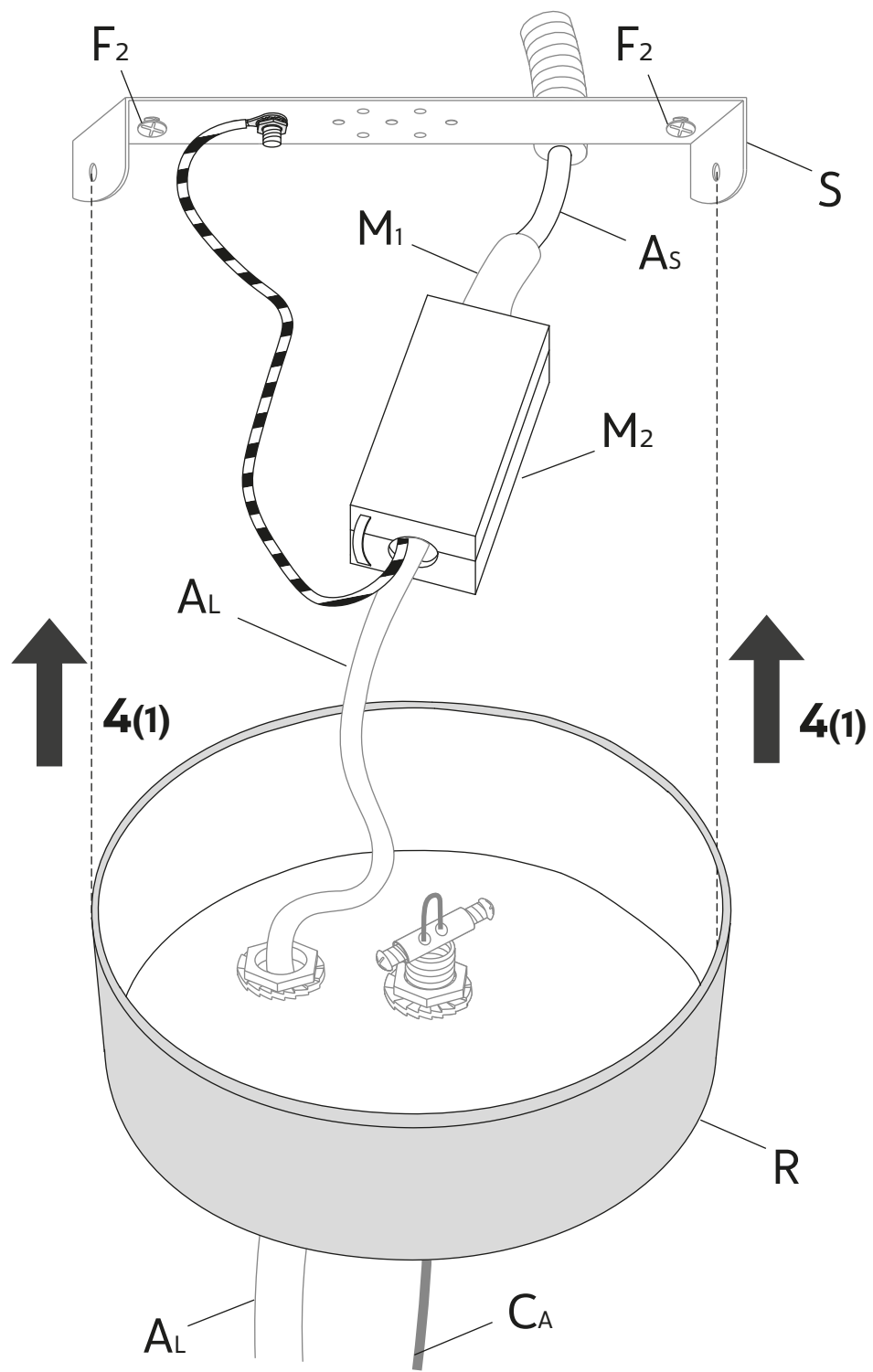


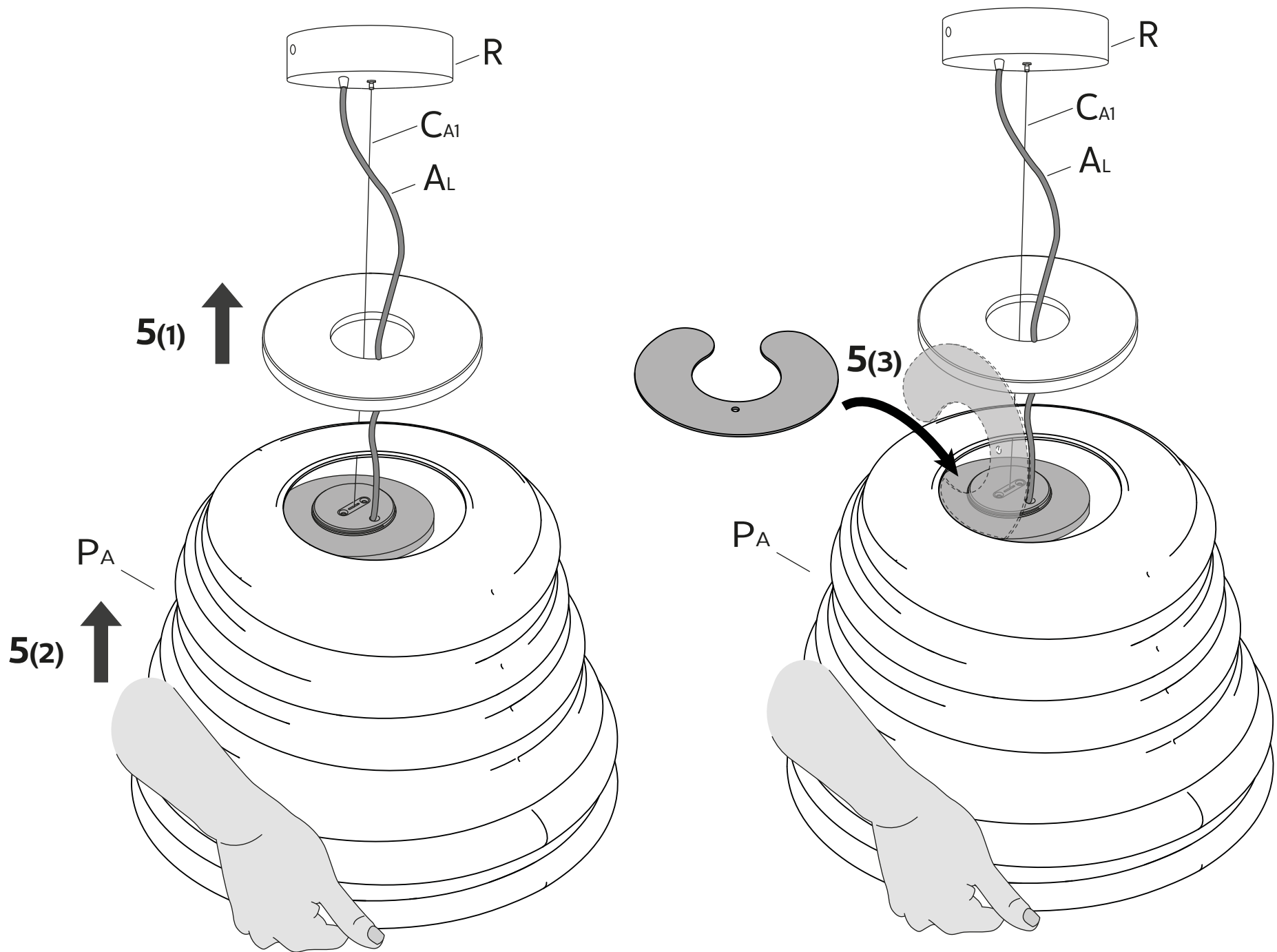




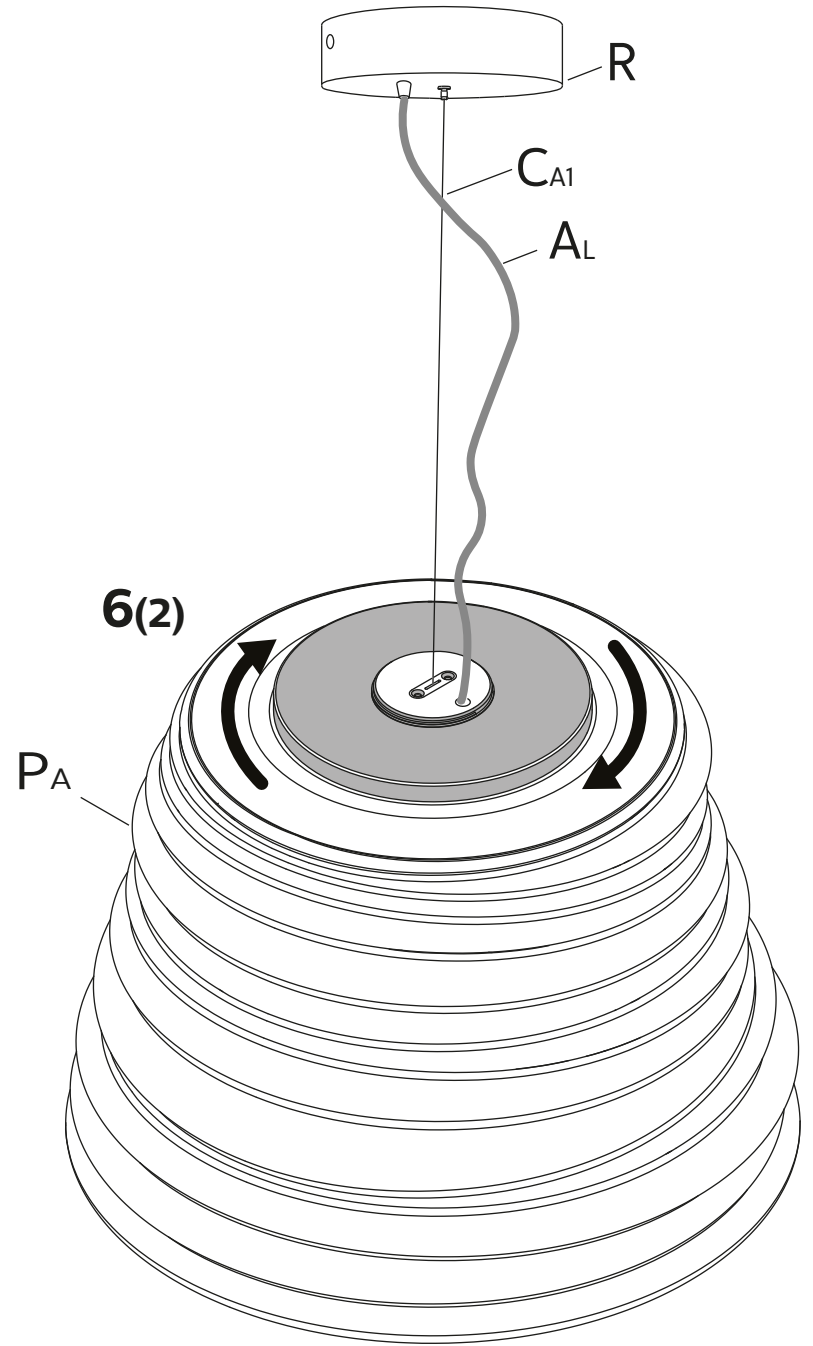
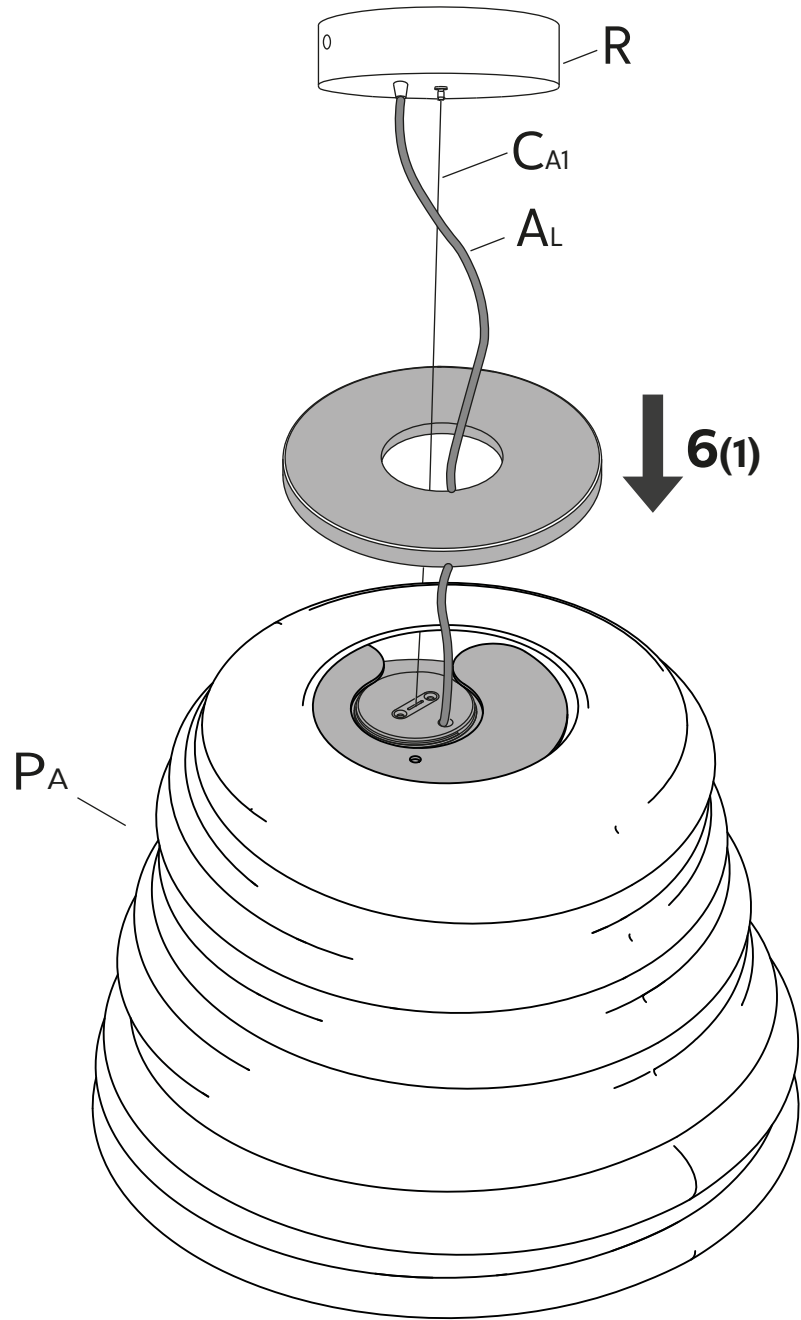
3

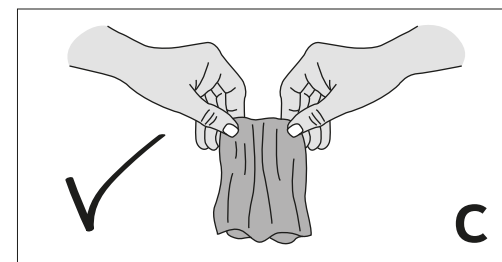
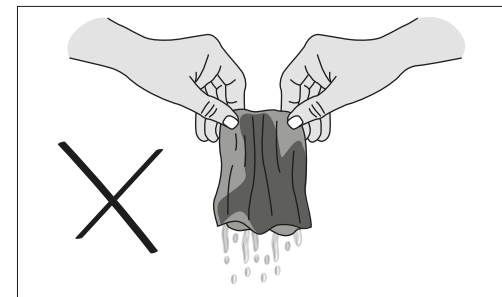
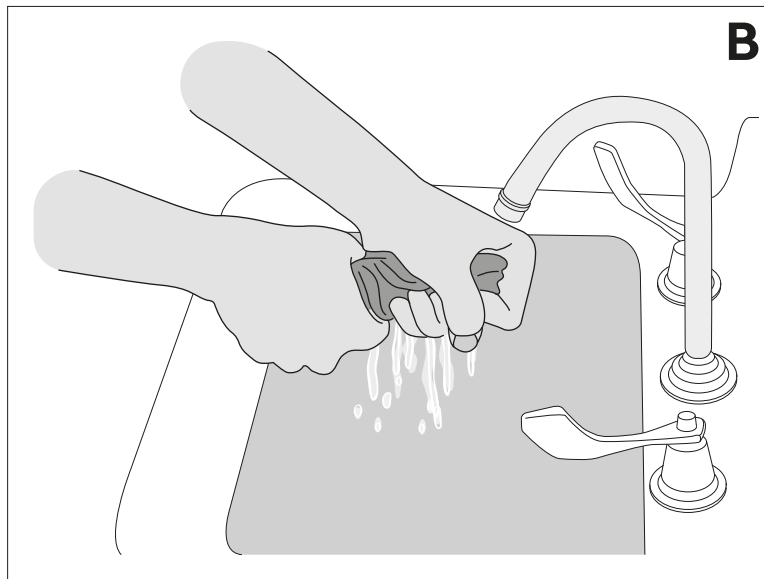
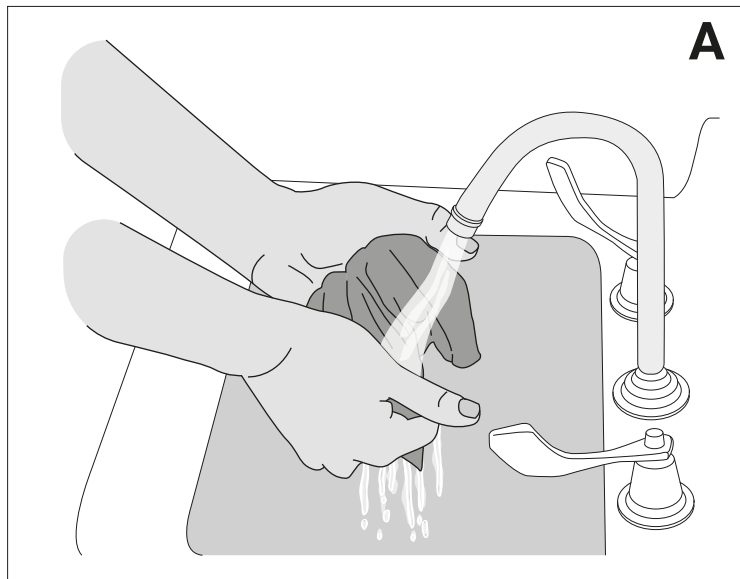












chemical agents



chemical agents



alcohol

