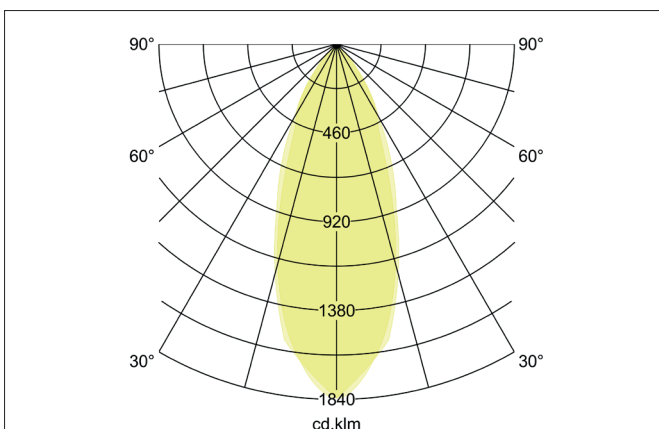
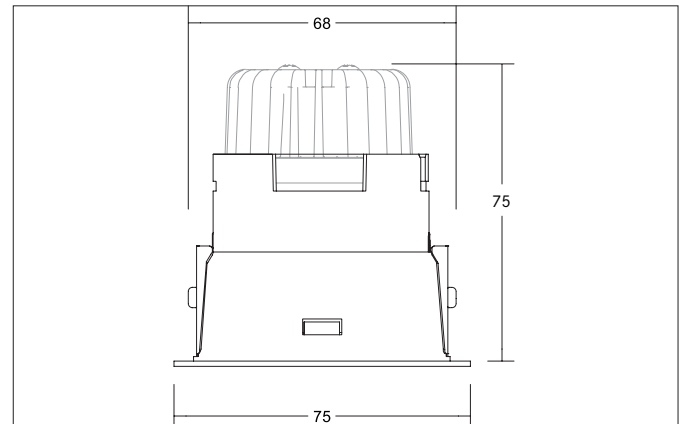


**BINATO LED recessed spot set, rotatable and pivoted, DALI dimmbar,  
incl. connection box**  
Article no. 41473173

Light.  
For Generations.



#### Tender

LED recessed spot set, rotatable and pivoted, DALI dimmbar, incl. connection box, Round. Toolless ceiling installation by leaf spring. Ceiling cut-out Ø 68 mm, Installation depth 75 mm, Outer diameter 75 mm, Weight 0,285 kg, Reflector silver with rotationssymmetrical, deep, wide distributed light intensity. optimal light distribution due to a glass transparent cover. Luminous flux 680 lm, Power 1 x 6 W, System Efficiency 113 lm/W, Light colour warm white, Correlated color temprature (CCT) 3.000 K, Colour rendering index CRI > 80, Housing material: Aluminium / Plastic, Colour: White structure, Permissible ambient temperature (ta): -20 °C - +25 °C, Protection class (EN 61140): III, Degree of protection (DIN EN 60529): IP20, .With electronic driver, DALI-2 dimmable.

| Article data       |  |
|--------------------|--|
| Article no.        | 41473173   |
| GTIN               | 4251433981916  |
| Series name        | BINATO   |
| Short description  | LED recessed spot set, rotatable and pivoted, DALI dimmbar, incl. connection box |
| Material           | Aluminium / Plastic  |
| Colour             | White  |
| Type of surface    | Structure  |
| Shape              | Round  |
| Outer diameter     | 75 mm  |
| Built-in diameter  | 68 mm  |
| Installation depth | 75 mm  |
| Height             | 2 mm   |
| Scope of delivery  | incl. leaf spring mounting, incl. junction box, 5-pole                           |
| Weight             | 0.285 kg   |

**BINATO LED recessed spot set, rotatable and pivoted, DALI dimmable,  
incl. connection box**  
Article no. 41473173

Light.  
For Generations.

| Lighting technology          |            |
|------------------------------|------------|
| Colour temperature           | 3.000 K    |
| Light output                 | Direct     |
| Luminous flux                | 680 lm     |
| System efficiency            | 113 lm/W   |
| Colour rendering             | CRI > 80   |
| Reflector                    | High-gloss |
| Reflektorfarbe               | silver     |
| Beam angle                   | 38°        |
| Light sharing                | Symmetric  |
| Adjustable color temperature | No         |

| Operating technology of the luminaire |  |
|---------------------------------------|--|
| System output                         | 6 W  |
| Voltage type                          | AC   |
| AC nominal voltage max                | 230 V  |
| Frequenz max.                         | 50 Hz  |
| Lamp                                  | LED  |
| Lamp holder                           | Without fitting  |
| Protection class                      | III  |
| Degree of protection                  | IP20   |
| Dimmable                              | Yes  |
| Control                               | DALI-2   |
| Bulb change possible                  | The light source of this luminaire may only be replaced by the manufacturer or a service technician commissioned by him or a similarly qualified person. |

| Mounting technology         |   |
|-----------------------------|---|
| Mounting method             | Recessed mounting                         |
| Place of installation       | Ceiling-mounted                           |
| Adjustability               | Rotatable and pivoted                     |
| Swivel angle                | 30°                                       |
| Rotation angle              | 355°                                      |
| Max. ceiling thickness      | 25 mm                                     |
| Further references          | No cover with thermal insulation material |
| Material cover              | Glass transparent                         |
| Circlip                     | Without circlip                           |
| Suitable for through-wiring | Yes                                       |

| Packing data            |   |
|-------------------------|---|
| Gross weight            | 0.361 kg  |
| Length of packaging     | 140 mm  |
| Packaging width         | 110 mm  |
| Packaging height        | 120 mm  |
| Disposal at end of life | This product must not be disposed of with household waste. You are obliged, to dispose of such electrical waste separately.<br>By disposing of electrical waste and other old or defective electronics separately, you support recycling or other forms of re-use. In that way you help to take care and to avoid that harmful substances get into the environment. |