

**LUCCI
ATLANTA
DC CEILING FAN**

- **INSTALLATION**
- **OPERATION**
- **MAINTENANCE**
- **WARRANTY INFORMATION**

CAUTION
**READ INSTRUCTIONS CAREFULLY FOR SAFE
INSTALLATION AND FAN OPERATION.**

CONTENTS

GB	Installation instruction manual	2
D	Installationsanleitung	14
F	Guide d'installation.....	27
E	Manual de instrucciones de instalación.....	41
I	Manuale delle istruzioni di installazione.....	54
NL	Installatiehandleiding.....	66
EL	Εγχειρίδιο οδηγιών εγκατάστασης	79

Contact:

Beacon International Ltd

Hong Kong Head Office: Room 05, 18/F, Kimberland Center, 55 Wing Hong Street, Cheung Sha Wan Kowloon, Hong Kong
Tel +852 34915904 Fax +852 34915917

China showroom / Office: 11/FI, Guzhen Lighting Building B, Mid Zhongxing Road, Guzhen, Zhongshan, GuangDong, China.
Tel: +86 760 8986 6388 Fax: +86 760 8986 6380

info@beaconinternational.com

www.beaconinternational.com

Beacon Lighting Europe GmbH

Campus Fichtenhain 42, 47807 Krefeld, Germany

TEL +49 (2151) 325 82 39 FAX +49 (2151) 325 70 65

sales@beaconlighting.eu

www.beaconlighting.eu





THANK YOU FOR PURCHASING

Thank you for purchasing the latest in energy saving ceiling fans. This fan runs on DC (direct current) power which gives it the benefit of being super energy efficient whilst still maintaining high volume air-movement and silent operation.

Energy saving - The DC motor is the latest technology in fan design. Its highly efficient motor saves up to 65% more energy than ceiling fans with traditional AC motors.

Silent operation – This DC fan motor is programmed with a stabilized current which efficiently reduces motor noise.

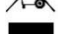
Low operating temperature – The DC power is managed effectively which brings down the motor operating temperature to less than 50°C. This results in a much cooler motor than a standard AC fan and increases the longevity of the motor.

6 speed remote control - Regular AC ceiling fans usually come with only 3 speeds, this DC fan comes complete with a 6 speed remote, which gives a greater choice of comfort levels.

SAFETY PRECAUTIONS

1. In Europe: This appliance can be used by children aged from 8 years and above and persons with reduced physical, sensory or mental capabilities or lack of experience and knowledge if they have been given supervision or instruction concerning the use of the appliance in a safe way and understand the hazards involved. Cleaning and maintenance shall not be undertaken by children without supervision.
2. Children should be supervised to ensure that they do not play with the appliance.
3. An all-pole disconnection switch must be incorporated into the fixed wiring, in accordance with local wiring rules.



4.  Do not dispose of electrical appliances as unsorted municipal waste, use separate collection facilities. Contact your local government for information regarding the collection systems available. If electrical appliances are disposed of in landfills or dumps, hazardous substances can leak into the ground water and get into the food chain, damaging your health and well-being.
5. The structure to which the fan is to be mounted must be capable of supporting a weight of 28kg.
6. The fan should be mounted so that the blades are at least 2.3 m above the floor in Europe or 2.1 m above the floor in Australia.
7. This fan is suitable for indoor and alfresco areas where the fan is fully undercover with a minimum of 2 walls. This fan is not waterproof. When installed in an alfresco area, the ceiling fan must be positioned in a location protected from water, wind, dust and salt. Exposure to these elements will void the warranty. Mounting the fan in a situation where it is subject to water or moisture is dangerous and may increase the risk of damage, injury or electrical shock.
8. Electrical installation should be performed by a qualified licensed electrician.
9. **WARNING:** If unusual wobbling or oscillating movement is observed, immediately stop using the ceiling fan and contact the manufacturer, its service agent or suitably qualified persons.
10. The replacement of parts of the safety suspension system device shall be performed by the manufacturer,



its service agent or suitably qualified persons.

11. The fixing means for attachment to the ceiling such as hooks or other devices shall be fixed with a sufficient strength to withstand 4 times the weight of the ceiling fan; that the mounting of the suspension system shall be performed by the manufacturer, its service agent or suitably qualified persons.

PARTS LIST

- Unpack your ceiling fan carefully. Remove all parts and hardware.
- Lay out all the components on a smooth surface and make sure there are no components missing before assembling. If parts are missing, return the complete product to the place of purchase for inspection or replacement.
- Check whether the ceiling fan has been damaged during transport. Do not operate/install any product which appears damaged in any way. Return the complete product to the place of purchase for inspection, repair or replacement.
- Examine all parts, you should have the following list and Fig.1:

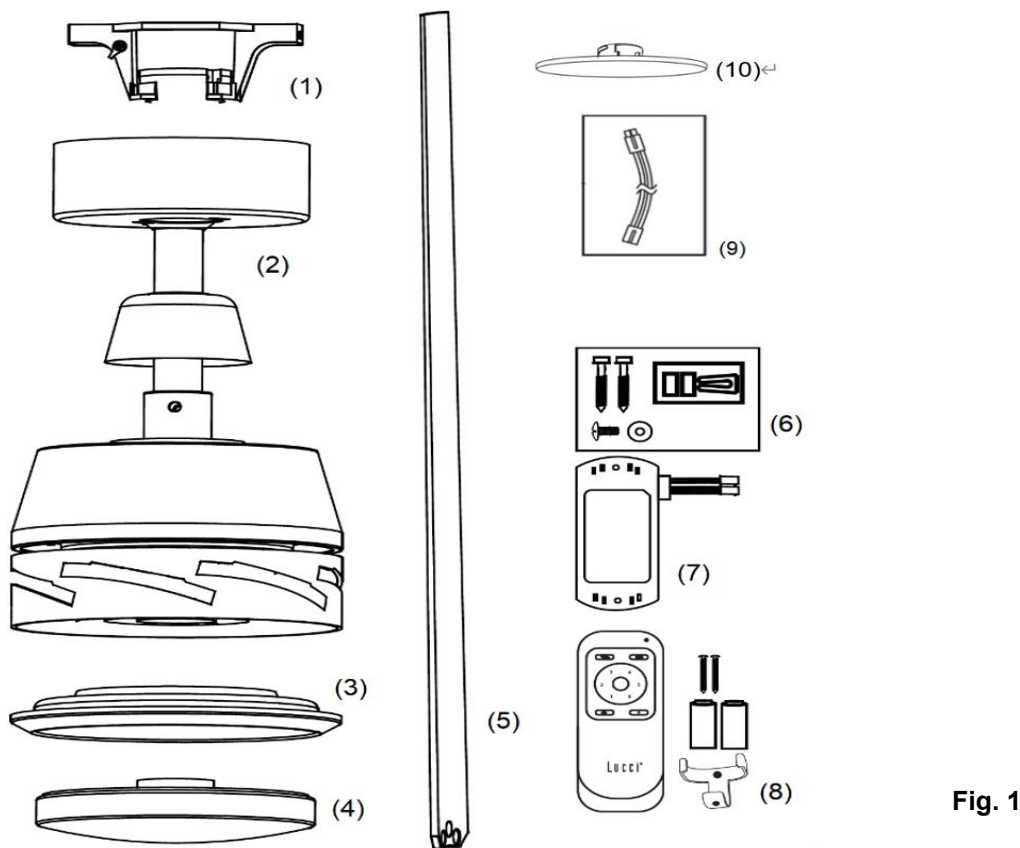


Fig. 1

1	Mounting bracket x 1	6	Installation screws and balancing kit x 1 set
2	Fan assembly x 1	7	Remote receiver x 1
3	Light kit bracket x 1	8	Remote controller, battery, holder x 1 set
4	GX53 lamp x 1	9	Light kit extension cable x 1
5	Blades x 7	10	Non-Light decoration plate



INSTALLING THE FAN

TOOLS REQUIRED:

- Phillips / flat head screwdriver
- Pair of pliers
- Adjustable spanner
- Step ladder
- Wire cutter
- Wiring, supply cable as required by local provincial and national wiring codes and regulations

INSTALLING THE MOUNTING BRACKET

- The ceiling fan must be installed in a location so that the blades are spaced 300mm from the tip of the blade to the nearest objects or walls.
- Install the hanging bracket to the ceiling joist or structure that is capable of carrying a load of at least 30kg, with two long screws provided. Ensure at least 30mm of the screw is threaded into the support. (Fig. 2)

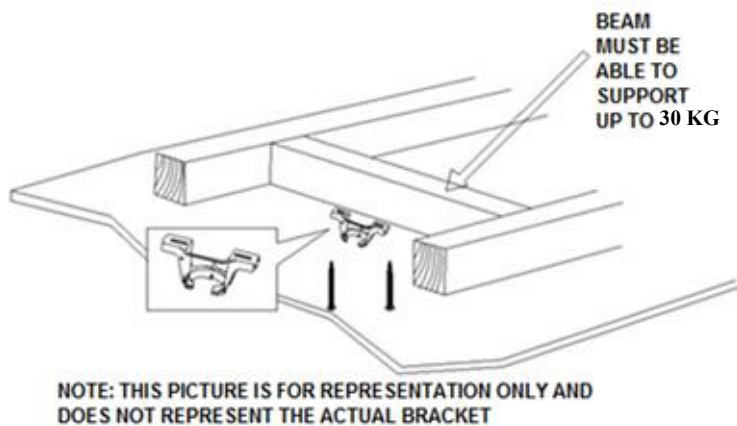


Fig. 2

NOTE: The bracket screws provided are for use with wooden structures only. For structures other than wood, the appropriate screw type **MUST** be used. Ensure the screws used are suitable for the mounting surface and the surrounding environment.



ANGLED CEILING INSTALLATION

This fan hanging system supports a maximum 9 degree angled ceiling installation. (Fig. 3)

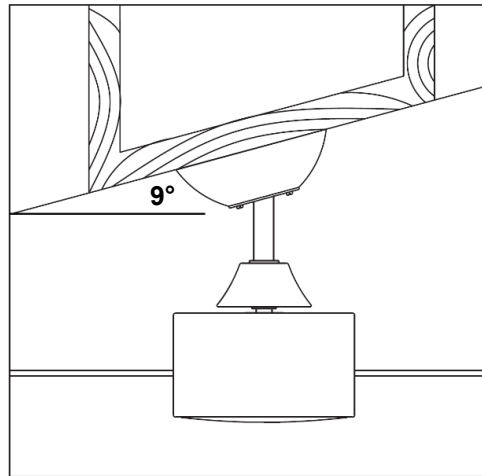


Fig. 3

INSTALLATION OF BLADE (Fig. 4)

1. Insert the blade into the slot of rotating member of fan motor assembly.
2. Align and engage the holes of the blade to the blade bracket.
3. Secure the blade to the fan motor assembly by tightening the 3 blade screws and washers.
Ensure all screws are tightened evenly to reduce the chance of warping or unbalancing.
Take care not to over tighten the screws, as this can damage the blades
4. Repeat the same process for the other blades.

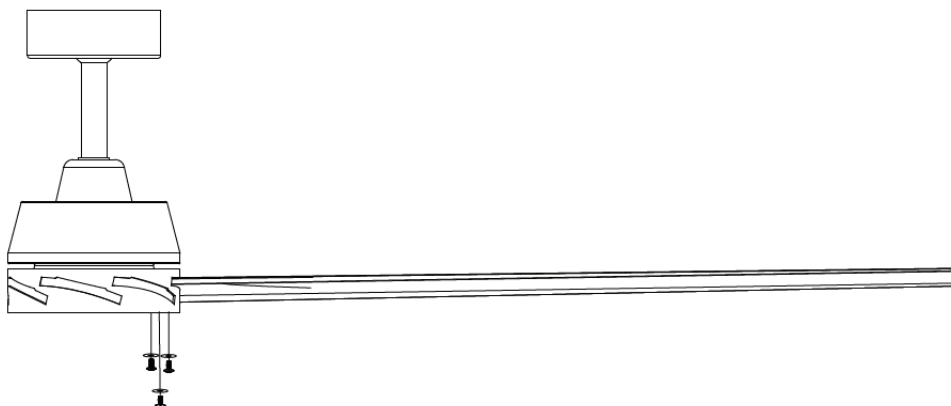


Fig. 4



INSTALLATION OF LIGHT KIT (Fig. 5)

- **NOTE:** The light kit must be installed by a licensed electrician.
- Align the two slot screws of the motor part with the keyhole slots of the light kit bracket (3).
- Turn the light kit bracket anticlockwise until the slot screws are firmly at the end of the slots.
- Tighten the screw (2) and the 2 slot screws to secure the light kit bracket.
- Install the lamp (4) to the GX53 lamp holder (5). Do not exceed the maximum power rating.

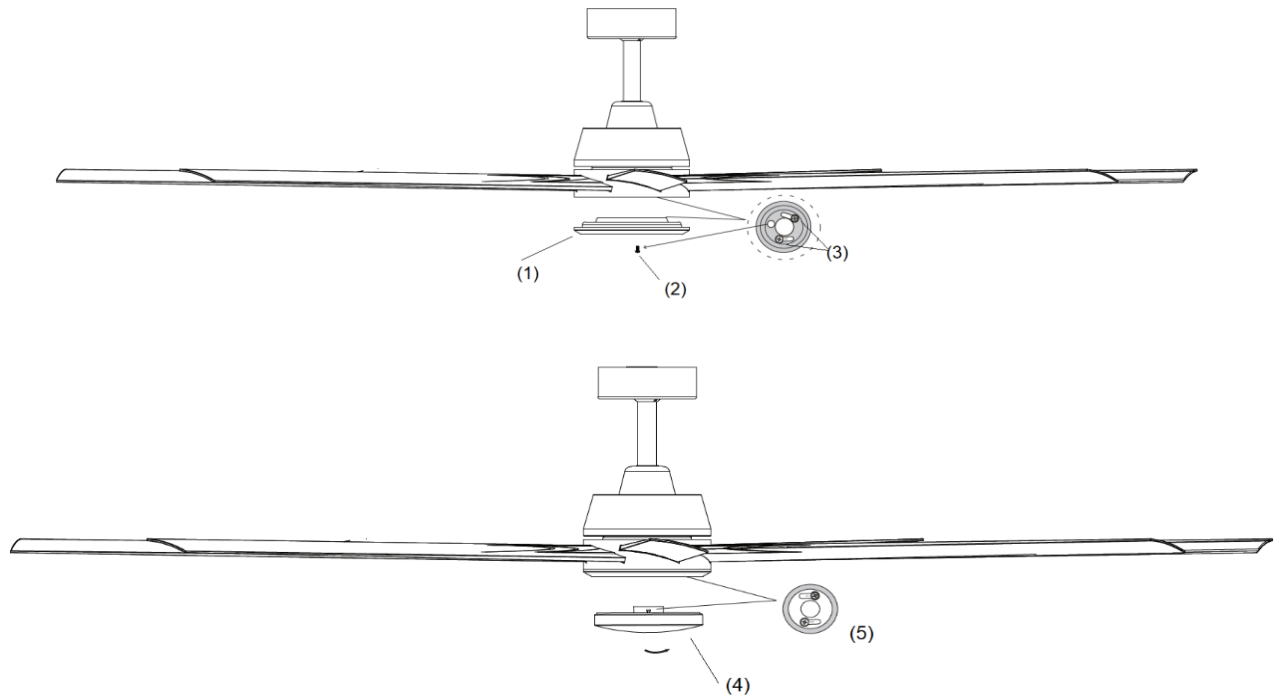
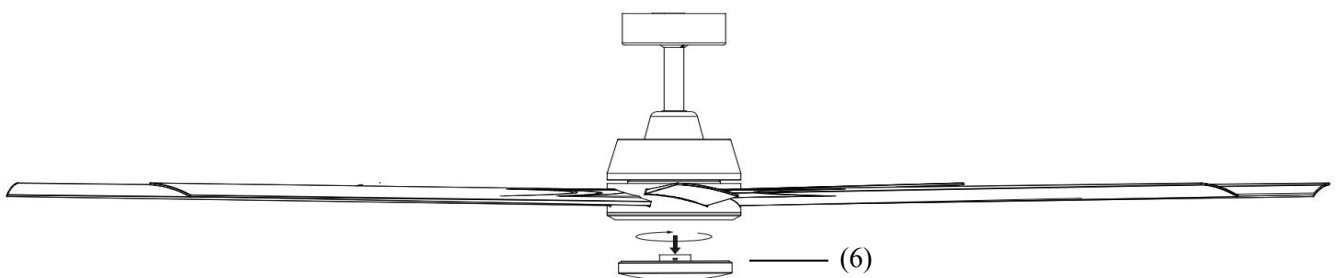


Fig. 5

INSTALLATION OF Non-Light decoration plate (Fig. 5 – 2)

- Remove the lamp (6) from the GX53 lamp holder



- Install the Non-Light decoration plate (7) on the light kit bracket .

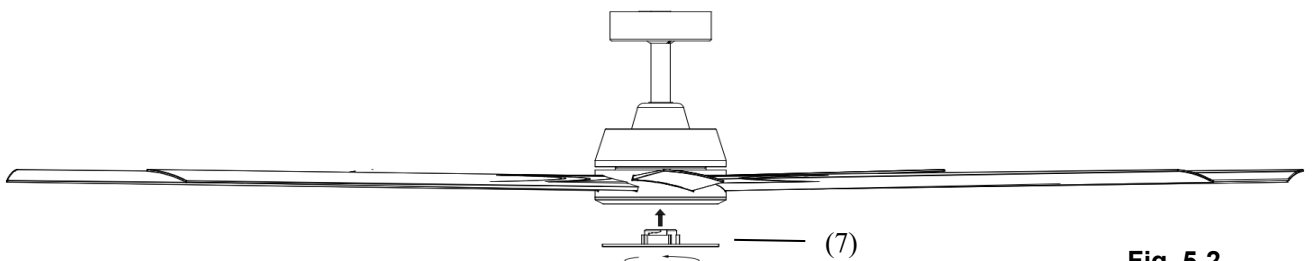


Fig. 5-2



HANGING THE FAN

Lift the fan assembly onto the mounting bracket. Ensure the key slot (A) of the hanger ball is positioned on the key pin (B) of the mounting bracket (C) to prevent the fan from rotating when in operation. (Fig. 6)

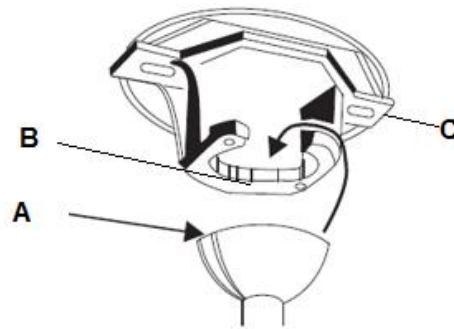


Fig. 6

ELECTRICAL WIRING DIAGRAM THE FAN

WARNING: FOR YOUR SAFETY ALL ELECTRICAL CONNECTIONS MUST BE UNDERTAKEN BY A LICENSED ELECTRICIAN.

NOTE: AN ADDITIONAL ALL POLE DISCONNECTION SWITCH MUST BE INCLUDED IN THE FIXED WIRING.

NOTE: IF THERE ARE TWO OR MORE DC CEILING FANS INSTALLED IN THE ONE LOCATION, AN ISOLATION SWITCH IS REQUIRED FOR EACH CEILING FAN. THIS IS REQUIRED WHEN PROGRAMMING THE REMOTE AND RECEIVER TO PAIR TOGETHER.

Note: If a down rod extension is used, the Light kit extension cable (item 9, of Fig.1) is required.

See Fig. 8 for instructions below to wire up the fan.

- Connect "LIVE" supply wire to the "L" of terminal block on the mounting bracket.
- Connect "NEUTRAL" supply wire to the "N" of terminal block on the mounting bracket.
- Connect "EARTH" wire to the "⊕" of terminal block on the mounting bracket.
- Hang the fan (Refer to "hanging the fan" Fig. 6, page 6).
- Plug connector from the supply wiring from the mounting bracket to the input of the DC motor driver/receiver.
- Plug the light connector and the fan connector from the DC motor driver/receiver to the input wires of the fan motor and the light kit.
- Carefully insert the Remote Receiver above the hanger ball in the remainder spacing in the mounting bracket. Take care not to damage or loosen any of the wiring. (Fig. 8).



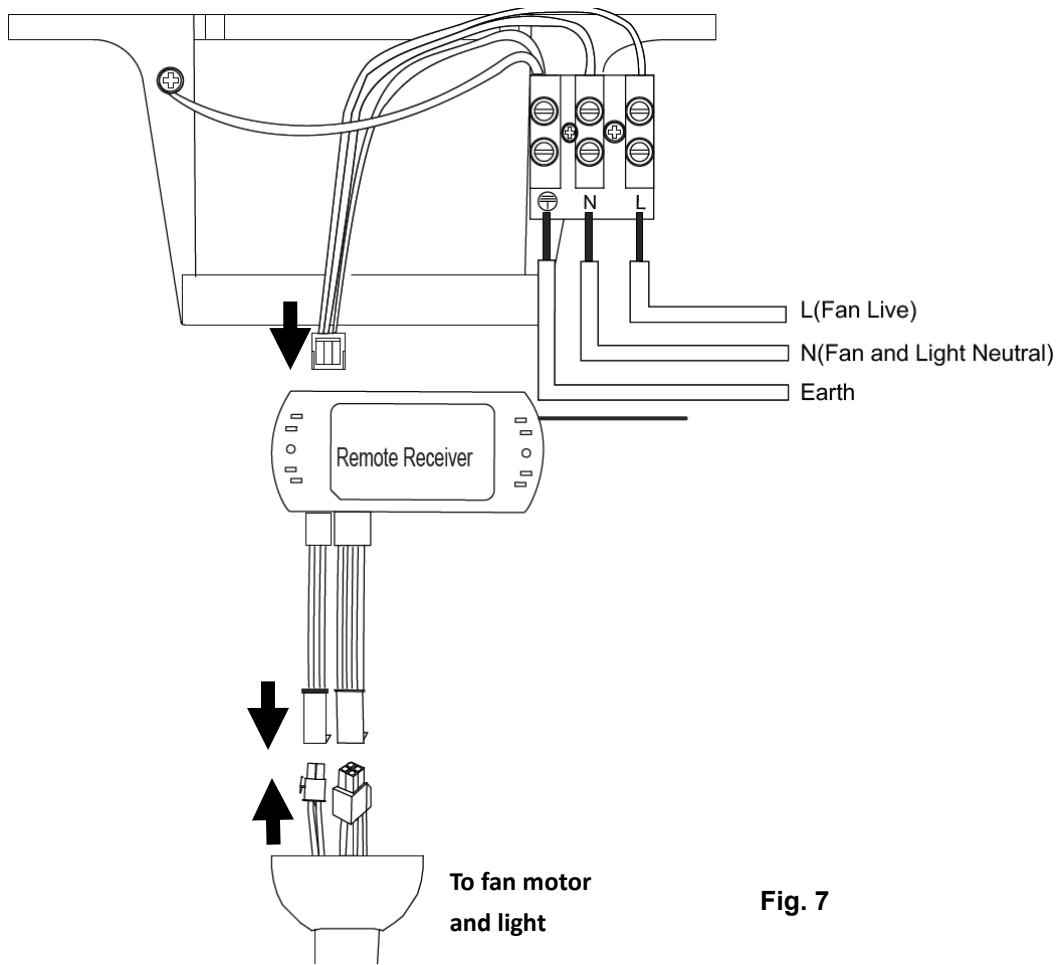


Fig. 7

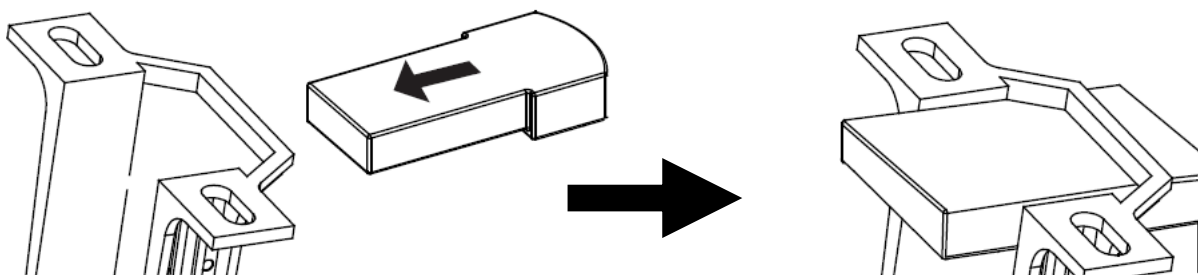


Fig. 8



This fan is suitable for indoor and alfresco areas where the fan is fully undercover with a minimum of 2 walls. This fan is not waterproof. When installed in an alfresco area, the ceiling fan must be positioned in a location protected from water, wind, dust and salt. Exposure to these elements will void the warranty. Mounting the fan in a situation where it is subject to water or moisture is dangerous.

FINISHING THE INSTALLATION

INSTALLATION OF THE CANOPY (Fig. 9)

1. Ensure the earth wiring is secure and correct, by performing an earthing continuity test from the fan's accessible metal body back to the earth terminal at the terminal block on the mounting bracket.
2. Loosen the 2 screws at the bottom of the mounting bracket.
3. Slide the canopy up to the mounting bracket and align the key holes on the canopy with the screws on the mounting bracket. Turn the canopy until it locks into place with the narrow section of the key holes and secure it by tightening the two screws. Avoid damaging the electrical wiring prepared previously.

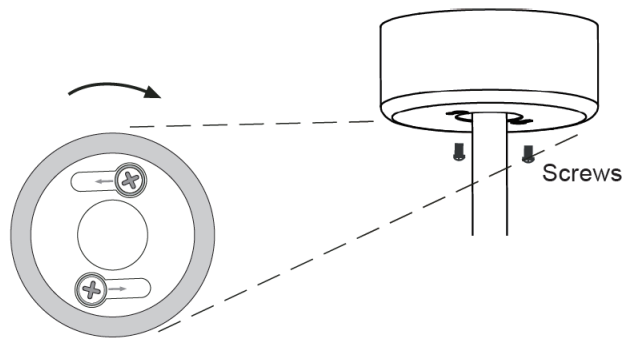


Fig. 9

INSTALLATION OF THE REMOTE CONTROL HOLDER (Fig. 10)

1. Locate a suitable wall to fix the remote control holder with the 2 screws. (Fig.10a).
2. Slide the remote into the holder. (Fig. 10b)

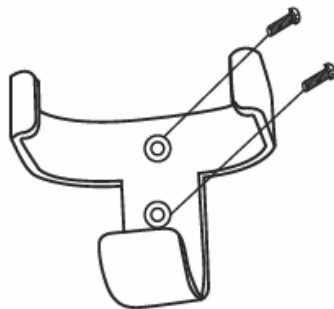


Fig. 10a

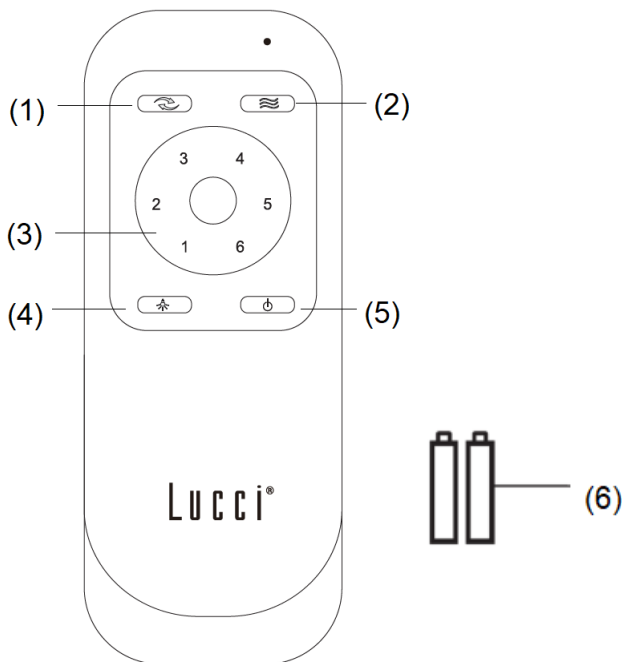


Fig. 10b



USING YOUR CEILING FAN

REMOTE CONTROL (Fig. 11)



- (1) Reverse control
- (2) Natural wind (The fan speed automatic cycle between 1 to 6 speed)
- (3) Speed control
- (4) Light On/Off
- (5) Fan On/Off
- (6) 1.5V AAA battery x 2 pcs (Included)

Fig. 11

LIGHT FUNCTION CONTROL (Fig. 11)

The GX53 LED lamp has a built-in 3 step dimming circuit.

- Initially turn ON the LED lamp with 100% brightness – press Light button (4) once on the remote.
- Press the Light button to switch OFF and then ON again, within 3 seconds for dimming to 50% brightness.
- Press the Light button to switch OFF and then ON again, within 3 seconds for dimming to 20% brightness. (If the ON/OFF toggle switching is not completed within 3 seconds, the lamp will reset to 100% brightness)

PAIRING REMOTE AND RECEIVER – WHEN 1 DC CEILING FAN IS INSTALLED IN ONE LOCATION

NOTE: Ensure that you have installed a single pole disconnection switch in the fixed wiring for the fan.

NOTE: Ensure power to the receiver is ON prior to pairing the remote with the receiver.

- Turn OFF the mains supply to the fan by on/off wall switch.
- Install the batteries into the remote. Please make sure the polarity of the battery is correct.
- Turn ON the power to the receiver.
- Press and hold the “⏻” button on the remote for 10 seconds within 30 seconds of switching the power ON to the receiver of the ceiling fan.
- There will be a notification ‘beep’ sound from the receiver to indicate that the pairing process is successful.
- Turn ON and change the speed of the ceiling fan via the remote to check the operation and successful pairing.




PAIRING REMOTE AND RECEIVER – WHEN 2 OR MORE DC CEILING FANS ARE INSTALLED IN ONE LOCATION

When two or more ceiling fans are located near each other, you may desire to have the remote/receiver for each fan paired so that the operation of one fan does not affect the operation of the other fans.


NOTE: Ensure that you have installed a single pole disconnection switch in the fixed wiring for each fan.

NOTE: Ensure power to the Receiver is **ON** prior to pairing the remote with the receiver.

Remote / Receiver pairing for ceiling fan 1:

- Turn OFF the mains supply to the receivers of both ceiling fans 1 and 2.
- Install the batteries into the remote. Please make sure the polarity of the battery is correct.
- Turn ON the power to receiver 1. Keep the power OFF to receiver 2. (Each ceiling fan must have its own isolation switch, so that only the ceiling fan that needs to be paired with the transmitter will be ON).
- Press and hold the “” button of **transmitter 1** for 10 seconds within 30 seconds of switching the power ON to the receiver of ceiling fan 1.
- There will be a notification ‘beep’ sound from the receiver to indicate that the pairing process is successful.
- Turn ON and change the speed of the ceiling fan 1 by the transmitter to check the operation and successful pairing.

Remote / Receiver pairing for Ceiling fan 2:

- Turn OFF the mains supply to the receivers of both ceiling fans 1 and 2.
- Install the batteries into the remote. Please make sure the polarity of the battery is correct.
- Turn ON the power to receiver 2. Keep the power OFF to receiver 1. (Each ceiling fan must have its own isolation switch, so that only the ceiling fan that needs to be paired with the transmitter will be ON).
- Press and hold the “” button of **transmitter 2** for 10 seconds within 30 seconds of switching the power ON to the receiver of ceiling fan 2.
- There will be a notification ‘beep’ sound from the receiver to indicate that the pairing process is successful.
- Turn ON and change the speed of ceiling fan 2 by the transmitter to check the operation and successful pairing.



REPAIRING THE FAN RECEIVER & REMOTE PAIRING

Should the remote and receiver lose control after installation or during use, the pairing of the remote and the receiver must be repaired. Below are the operating symptoms and method to repair the pairing of the DC ceiling fan remote and receiver.

Issues:

- Loss of control - Fan is only running at high speed after installation
- Loss of control - No reverse function after installation
- Loss of control - Remote cannot communicate with the receiver

Solution:

- Switch off the main power of ceiling fan.
- Switch on the main power of the ceiling fan. Follow the same process as described in the 'Pairing remote and receiver' section to repair your fan.
- Turn on and select the different speed of the ceiling fan to check the operation of the fan.

AFTER INSTALLATION

NOTE: Ceiling fans tend to move during operation due to the fact that they are mounted on a rubber grommet. If the fan was mounted rigidly to the ceiling it would cause excessive vibration. Movement of a few centimeters is quite acceptable and DOES NOT suggest any problem.

TO REDUCE THE FAN WOBBLE: Please check that all screws which fix the mounting bracket and down rod are secure.

BALANCING KIT: A balancing kit is provided to balance the ceiling fan on initial installation. Please refer to the instruction on how to use the balancing kit. The balancing kit can be used to assist re-balancing should the ceiling fan become un-balanced again. Store your balancing kit away after installation for future use if required.

NOISE:

When it is quiet (especially at night) you may hear occasional small noises. Slight power fluctuations and frequency signals superimposed in the electricity for off-peak hot water control, may cause a change in fan motor noise. This is normal. Please allow a 24-hour "settling-in" period, most noises associated with a new fan disappear during this time.

The manufacturer's warranty covers actual faults that may develop and NOT minor complaints such as hearing the motor run – All electric motors are audible to some extent.



CARE & CLEANING

NOTE: Always turn OFF the power at the mains switch before performing any maintenance or attempting to clean your fan.

- Every 6 months periodic cleaning of your ceiling fan is the only maintenance required. Use a soft brush or lint free cloth to avoid scratching the paint finish. Please turn off electricity power when you do so.
- Do not soak or immerse your ceiling fan in the water or other liquids. It could damage the motor or the blades and create the possibility of an electrical shock.
- Ensure that the fan does not come in contact with any organic solvents or cleaners.
- To clean the fan blade, wipe with only a damp clean cloth with NO organic solvents or cleaners.
- The motor has a permanently lubricated ball bearing so there is no need to oil.

SAFETY PRECAUTIONS FOR BATTERY

- **WARNING** – Keep new and used batteries away from children.
- **CAUTION** – Do not ingest battery—Chemical burn hazard.
- Always use 2 x AAA battery type with this ceiling fan remote controller.
- Ensure the batteries are inserted with the correct polarity.
- To prevent false operation during battery insertion or replacement, this ceiling fan must be disconnected from the supply mains.
- Remove batteries from the product when not in use for long periods of time.
- Batteries must be removed from the remote transmitter before it is discarded.
- Dispose of exhausted batteries immediately and safely (so they cannot be retrieved by children). Batteries can still be dangerous. Contact your local council to safely dispose of the battery.
- Regularly check the product and make sure the battery box lid is correctly secured. If the battery compartment does not close securely, stop using the product and keep it away from children.
- If you think batteries might have been swallowed or placed inside any part of the body, seek immediate medical attention.

TECHNICAL INFORMATION

Fan	56" fan – Atlanta
Fan Models / SKU#	LD-56" ATL / SKU# 213182, 213183
Rated Voltage	220-240V~ 50Hz
Rated Wattage (Motor)	42W
LED Lamp Specifications (Included with fan)	Type: GX53, Power: Max.12W; Dimming type: 3-Step switched; CCT: 3000K; Performance brightness: 100% - 1100lm, 50% - 550lm, 20% - 220lm; Gx53 LED lamp SKU# 121354
Battery for remote	2 x AAA (Included)
Weight	6.8kg
Canopy Dimensions	H:51mm Dia:140mm

WARRANTY INFORMATION

IN EUROPE – If you are a European customer please contact the retail outlet where the fan was purchased for warranty service.



This fan is suitable for indoor and alfresco areas where the fan is fully undercover with a minimum of 2 walls. This fan is not waterproof. When installed in an alfresco area, the ceiling fan must be positioned in a location protected from water, wind, dust and salt. Exposure to these elements will void the warranty. Mounting the fan in a situation where it is subject to water or moisture is dangerous.

D

VIELEN DANK FÜR IHREN KAUF

Vielen Dank, dass Sie sich für einen der neuesten energiesparenden Deckenventilatoren entschieden haben. Dieser Ventilator wird mit Gleichspannung (DC) betrieben. Dadurch ist er nicht nur äußerst energieeffizient, sondern er sorgt auch für ein hohes Maß an Luftumwälzung bei leisem Betrieb.

Energieeinsparung – Der DC-Motorbetrieb ist die neueste Ventilator-technik. Der hocheffiziente Motor spart bis zu 65 % mehr Energie als Deckenventilatoren mit herkömmlichen Wechselstrommotoren.

Geräuscharmer Betrieb – Dieser Gleichstrom-Ventilator-Motor wurde mit stabilisiertem Strom programmiert, wodurch das Motorgeräusch effizient reduziert wird.

Niedrige Betriebstemperatur – Durch das effiziente Energiemanagement des DC-Antriebs wird die Betriebstemperatur des Motors unter 50 °C gehalten. Der Motor bleibt dadurch viel kühler als ein Standard-Wechselstromantrieb und er hält länger.

Fernbedienung mit 6 Stufen – Normale Wechselstrom-Deckenventilatoren haben nur 3 Stufen. Dieser Gleichstromventilator wird mit einer Fernbedienung mit 6 Stufen ausgeliefert, wodurch eine größere Auswahl an Komfortstufen vorhanden ist.

SICHERHEITSVORKEHRUNGEN

1. In Europa: Dieses Gerät kann von Kindern ab 8 Jahren sowie Personen mit eingeschränkten physischen, sensorischen oder geistigen Fähigkeiten oder Mangel an Erfahrung und Wissen im Umgang mit dem Gerät verwendet werden, wenn sie beaufsichtigt oder bezüglich des sicheren Gebrauchs unterwiesen wurden und die daraus resultierenden Gefahren kennen. Die Reinigung und Wartung dürfen nicht durch Kinder ohne Aufsicht erfolgen.
2. Kinder müssen beaufsichtigt werden, um sicherzustellen, dass sie nicht mit dem Gerät spielen.
3. In die feste Verkabelung muss ein allpoliger Trennschalter gemäß den örtlichen Verkabelungsvorschriften eingebaut werden.



4. Entsorgen Sie elektrische Geräte nicht als unsortierten Siedlungsabfall, nutzen Sie separate Sammelstellen. Wenden Sie sich an Ihre Gemeindeverwaltung, um Informationen über die verfügbaren Sammelsysteme zu erhalten. Wenn Elektrogeräte auf Deponien entsorgt werden, können Gefahrstoffe in das Grundwasser sickern und in die Nahrungskette gelangen, was Ihrer Gesundheit und Ihrem Wohlbefinden schadet.
5. Das Gefüge, an dem der Ventilator montiert werden soll, muss ein Gewicht von 28 kg tragen können.
6. Der Ventilator sollte so montiert werden, dass sich die Rotorblätter in Europa mindestens 2,3 m über dem Boden und in Australien 2,1 m über dem Boden befinden.
7. Dieser Ventilator ist für Innen- und Außenbereiche geeignet, sofern er sich vollständig unter einem Dach befindet und von mindestens 2 Wänden umgeben ist. Dieser Ventilator ist nicht wasserfest. Im Freien muss der Deckenventilator an einem Ort installiert werden, der vor Wasser, Wind, Staub und Salz geschützt ist. Andernfalls erlischt die Garantie. Die Montage des Ventilators unter Bedingungen, unter



denen er Wasser oder Feuchtigkeit ausgesetzt ist, ist gefährlich und kann das Risiko von Schäden, Verletzungen oder Stromschlägen erhöhen.

8. Elektroinstallationsarbeiten müssen von einem ausgebildeten Elektriker ausgeführt werden.
9. **WARNUNG:** Bei ungewöhnlichen Unwucht- oder Schwenkbewegungen ist der Deckenventilator sofort außer Betrieb zu nehmen und der Hersteller, sein Servicepartner oder entsprechend qualifizierte Personen zu kontaktieren.
10. Teile der Sicherheitsaufhängung müssen vom Hersteller, seinem Servicepartner oder entsprechend qualifizierten Personen ausgetauscht werden.
11. Die Befestigungsmittel für die Deckenmontage, wie z. B. Haken oder andere Vorrichtungen, müssen so fest montiert werden, dass sie das 4-fache Gewicht des Deckenventilators halten können. Die Montage des Aufhängungssystems muss vom Hersteller, seinem Servicepartner oder entsprechend qualifizierten Personen ausgeführt werden.

TEILELISTE

- Packen Sie Ihren Deckenventilator vorsichtig aus. Entnehmen Sie alle Teile und Befestigungsmittel.
- Breiten Sie alle Bauteile auf einer glatten Fläche aus und vergewissern Sie sich vor der Montage, dass keine Teile fehlen. Falls Teile fehlen, bringen Sie das komplette Produkt zwecks Überprüfung oder Austausch zu der Verkaufsstelle zurück.
- Prüfen Sie, ob der Deckenventilator während des Transports beschädigt wurde. Produkte, die einen beschädigten Eindruck machen, dürfen nicht in Betrieb gesetzt/installiert werden. Bringen Sie das komplette Produkt zwecks Überprüfung, Reparatur oder Austausch zu der Verkaufsstelle zurück.
- Überprüfen Sie alle Teile. Sie sollten die folgende Liste und Abb. 1 beachten:

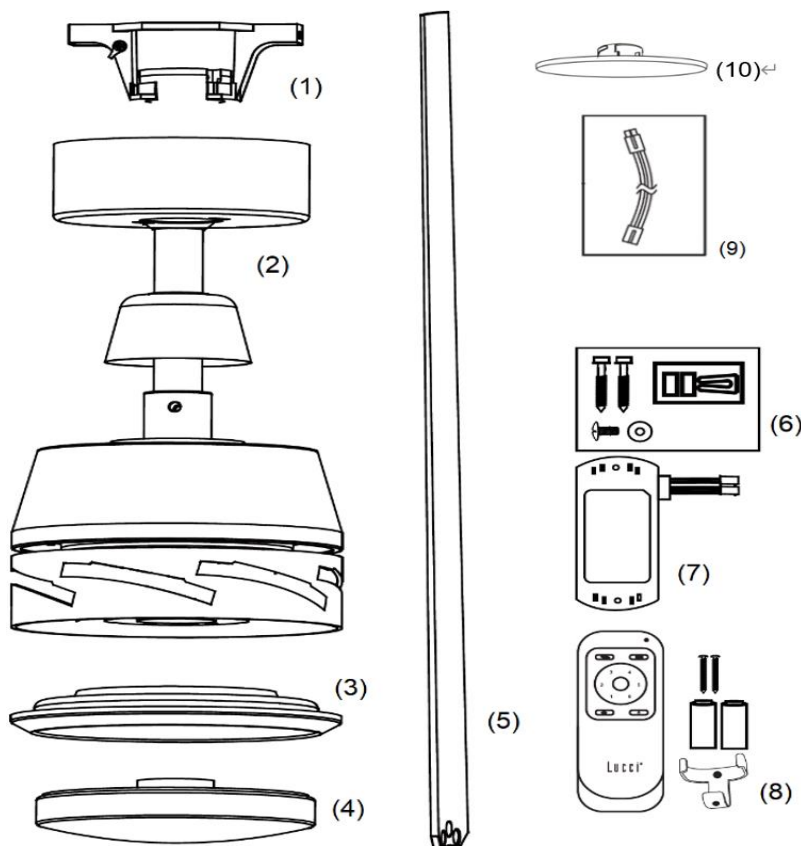


Abb. 1



1	1 x Halterung	6	1 Satz Montageschrauben und Auswuchtkit
2	1 Ventilatorbaugruppe	7	1 x Fernbedienungsempfänger
3	1 Lampenfassung	8	1 Satz Fernbedienung, Batterie, Halter
4	1 Leuchtmittel GX53	9	1 Verlängerungskabel für Beleuchtungssatz
5	7 Flügel	10	Dekorative Blende bei Nichtbenutzung des Beleuchtungssatzes

MONTAGE DES VENTILATORS

BENÖTIGTE WERKZEUGE:

- Kreuzschlitz-/ Schlitz-Schraubendreher
- Zange
- Einstellbarer Schraubenschlüssel
- Trittleiter
- Seitenschneider
- Bei der Verdrahtung und dem Anschluss an das Versorgungsnetz müssen die örtlichen, regionalen und nationalen Vorschriften und Normen eingehalten werden

MONTAGE DER HALTERUNG

- Der Deckenventilator muss an einer Stelle montiert werden, an dem die Rotorblattspitzen einen Mindestabstand von 300 mm zu den nächsten Gegenständen oder Wänden haben.
- Fixieren Sie mithilfe der zwei mitgelieferten langen Schrauben die Halterung mit dem Baldachin an einem Deckenbalken oder einem Deckenträger, der mindestens eine Last von 30 kg tragen kann. Stellen Sie sicher, dass mindestens 30 mm der Schraube in die Halterung eingeschraubt sind. (Abb. 2)

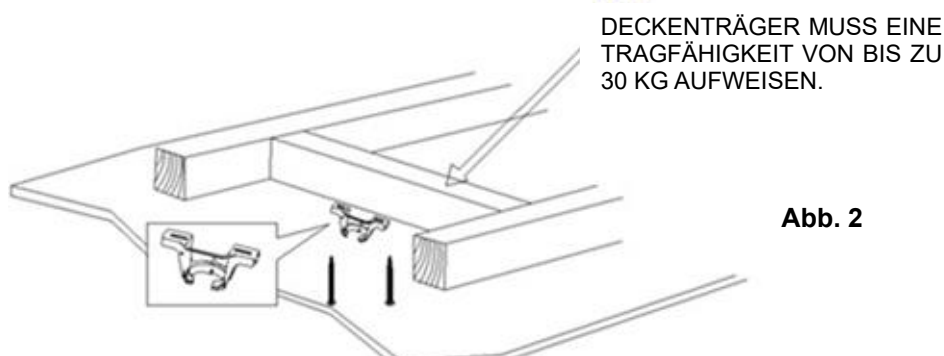


Abb. 2

HINWEIS: DIESES BILD DIENT NUR ZUR VERANSCHAULICHUNG UND ZEIGT NICHT DIE TATSÄCHLICHE HALTERUNG.

HINWEIS: Die mitgelieferten Befestigungsschrauben sind nur für Holzkonstruktionen geeignet. Für andere Konstruktionen als Holz MUSS der entsprechende Schraubentyp verwendet werden. Stellen Sie sicher, dass die verwendeten Schrauben für die Montagefläche und die Umgebung geeignet sind.



MONTAGE AN EINER SCHRÄGDECKE

Dieses Ventilator-Aufhängungssystem unterstützt die Montage des Ventilators an einer Schräge von maximal 9 Grad. (Abb. 3)

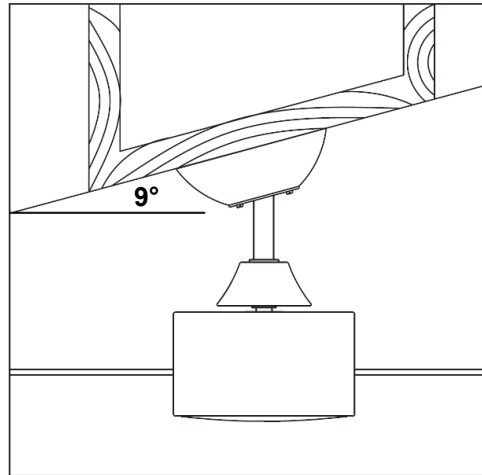


Abb. 3

ROTORBLATTMONTAGE (Abb. 4)

1. Stecken Sie das Rotorblatt in die Aufnahme am Antriebselement des Ventilators.
2. Achten Sie darauf, dass die Rotorblattbohrungen mit der Rotorblatthalterung fluchten.
3. Befestigen Sie das Rotorblatt an der Rotorblatthalterung, indem Sie die 3 Rotorblattschrauben und -unterlegscheiben festziehen.

Stellen Sie sicher, dass alle Schrauben gleichmäßig angezogen sind, um das Risiko zu verringern, dass der Ventilator sich verzieht oder aus dem Gleichgewicht gerät.

Achten Sie darauf, die Schrauben nicht übermäßig fest anzuziehen, da die Rotorblätter sonst beschädigt werden könnten.

4. Wiederholen Sie den Vorgang bei den übrigen Rotorblättern.

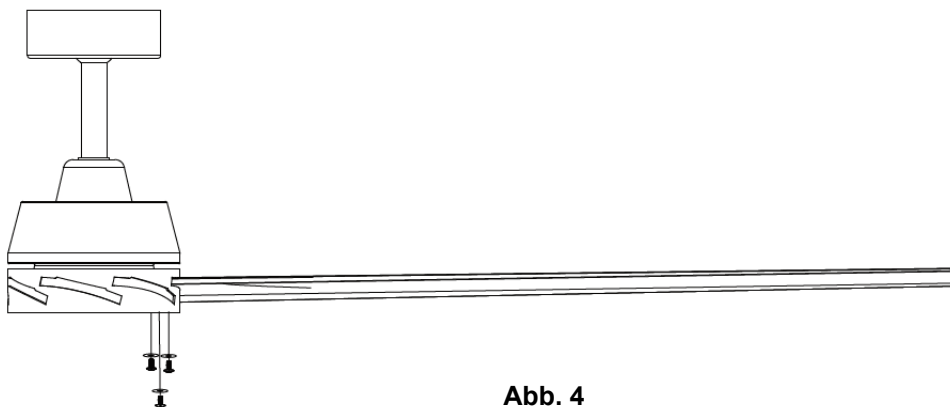


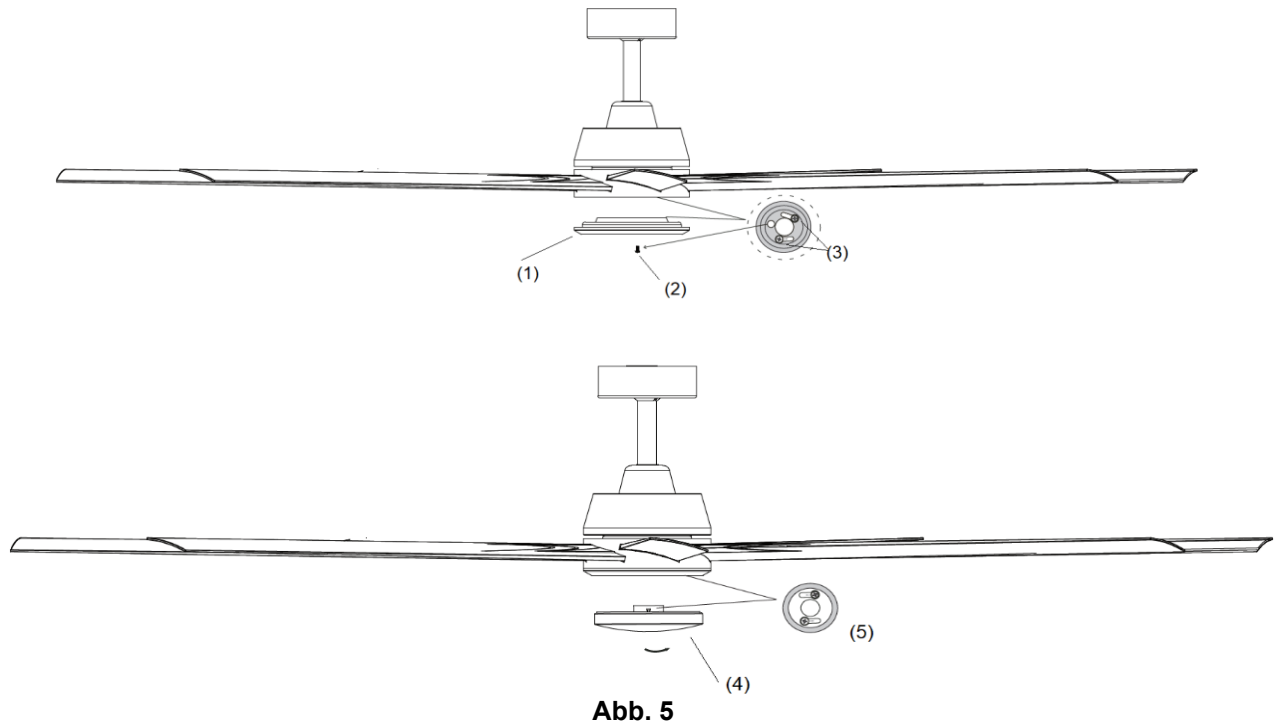
Abb. 4

INSTALLATION DES BELEUCHTUNGSSETS (Abb. 5)

- **HINWEIS:** Das Beleuchtungsset muss von einem geprüften Elektriker installiert werden.
- Richten Sie die zwei Schlitzschrauben des Motorteils an den Schlüssellochsclitzen (3) der Leuchtenhalterung aus.
- Drehen Sie die Leuchtenhalterung entgegen dem Uhrzeigersinn, bis die Schlitzschrauben fest am Ende der Schlitz sitzen.

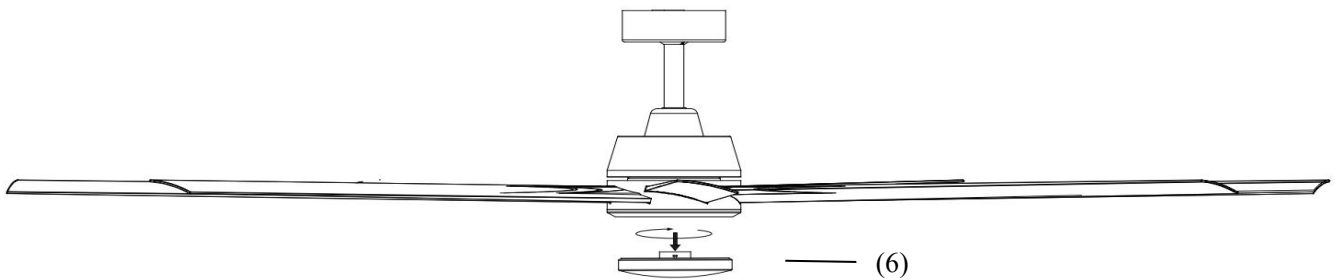


- Ziehen Sie die Schraube (2) und die beiden Schlitzschrauben an, um die Halterung des Beleuchtungskits zu befestigen.
- Montieren Sie das Leuchtmittel (4) in der GX53-Lampenfassung (5). Die maximale Nennleistung darf nicht überschritten werden.

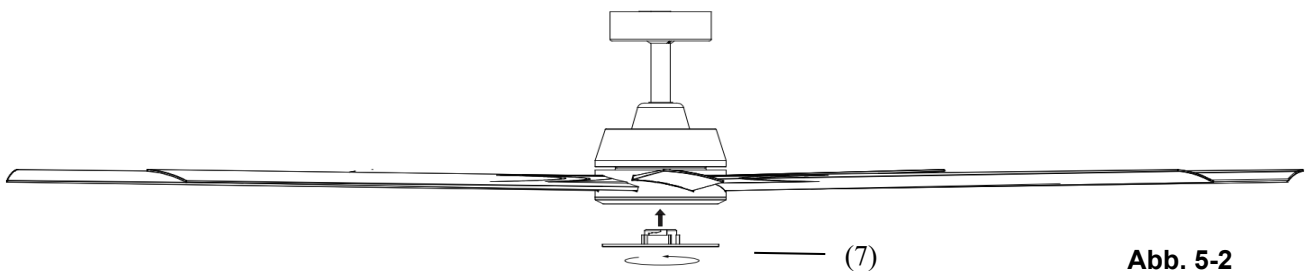


MONTAGE einer Dekorblende (Abb. 5 - 2)

- Entfernen Sie das Leuchtmittel (6) aus der GX53-Lampenfassung.



- Wenn das Beleuchtungskit nicht verwendet werden soll, montieren Sie die Dekorblende (7) über der Leuchtenhalterung an.



AUFHÄNGEN DES VENTILATORS

Setzen Sie den kompletten Ventilator in die Halterung ein. Die Sicherungsnut (A) der Kugelaufhängung muss in den Anschlag (B) der Halterung (C) greifen, um ein Verdrehen des Ventilators im Betrieb zu verhindern. (Abb. 6)

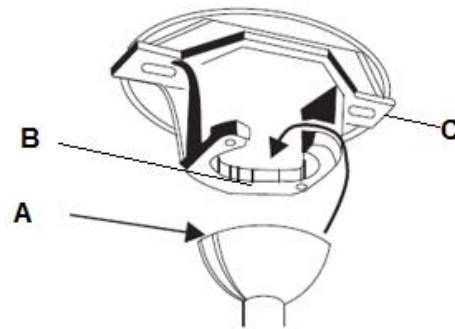


Abb. 6

SCHALTBILD DES VENTILATORS

WARNUNG: ZUR EIGENEN SICHERHEIT SOLLTEN ALLE ELEKTRISCHEN ANSCHLÜSSE VON EINEM GEPRÜFTEN ELEKTRIKER HERGESTELLT WERDEN.

HINWEIS: IN DER FESTVERDRAHTUNG SOLLTE EIN ZUSÄTZLICHER TRENNSCHALTER FÜR ALLE PHASEN VORGESEHEN WERDEN.

HINWEIS: WENN AN EINEM ORT MEHRERE DECKENVENTILATOREN MIT WECHSELSTROMANTRIEB ANGESCHLOSSEN SIND, IST FÜR JEDEN VENTILATOR EIN TRENNSCHALTER NOTWENDIG. DIES IST ZUM KOPPELN DER FERNBEDIENUNGEN UND EMPFÄNGER NOTWENDIG.

Hinweis: Wenn eine Verlängerung der Deckenstange verwendet wird, ist das Verlängerungskabel des Beleuchtungssatzes (Punkt 9 in Abb.1) erforderlich.

Beachten Sie zu den nachfolgenden Anweisungen zur Verdrahtung des Ventilators Abb. 8.

- Verbinden Sie den „LIVE“-Leiter (stromführender Leiter) mit der Klemme „L“ am Klemmenblock der Halterung.
- Verbinden Sie den NEUTRAL“-Leiter (Nullleiter) mit der Klemme „N“ am Klemmenblock der Halterung.
- Verbinden Sie den „EARTH“-Leiter (Schutzleiter) mit der Klemme „⊕“ am Klemmenblock der Halterung.
- Hängen Sie den Ventilator auf (siehe „Aufhängen des Ventilators“ Abb. 6 auf Seite 6).
- Schließen Sie den Stecker des Versorgungskabels von der Halterung an den Eingang des DC-Motortreibers/Empfängers an.
- Schließen Sie die Beleuchtungskupplung und die Ventilatorcupplung vom DC-Motortreiber/Empfänger an die Eingangsleitungen des Ventilatormotors und des Beleuchtungssatzes an.
- Stecken Sie den Fernbedienungsempfänger oberhalb der Kugelaufhängung vorsichtig in den Spalt an der Halterung. Achten Sie darauf, keines der Kabel zu beschädigen oder zu lösen. (Abb. 8)



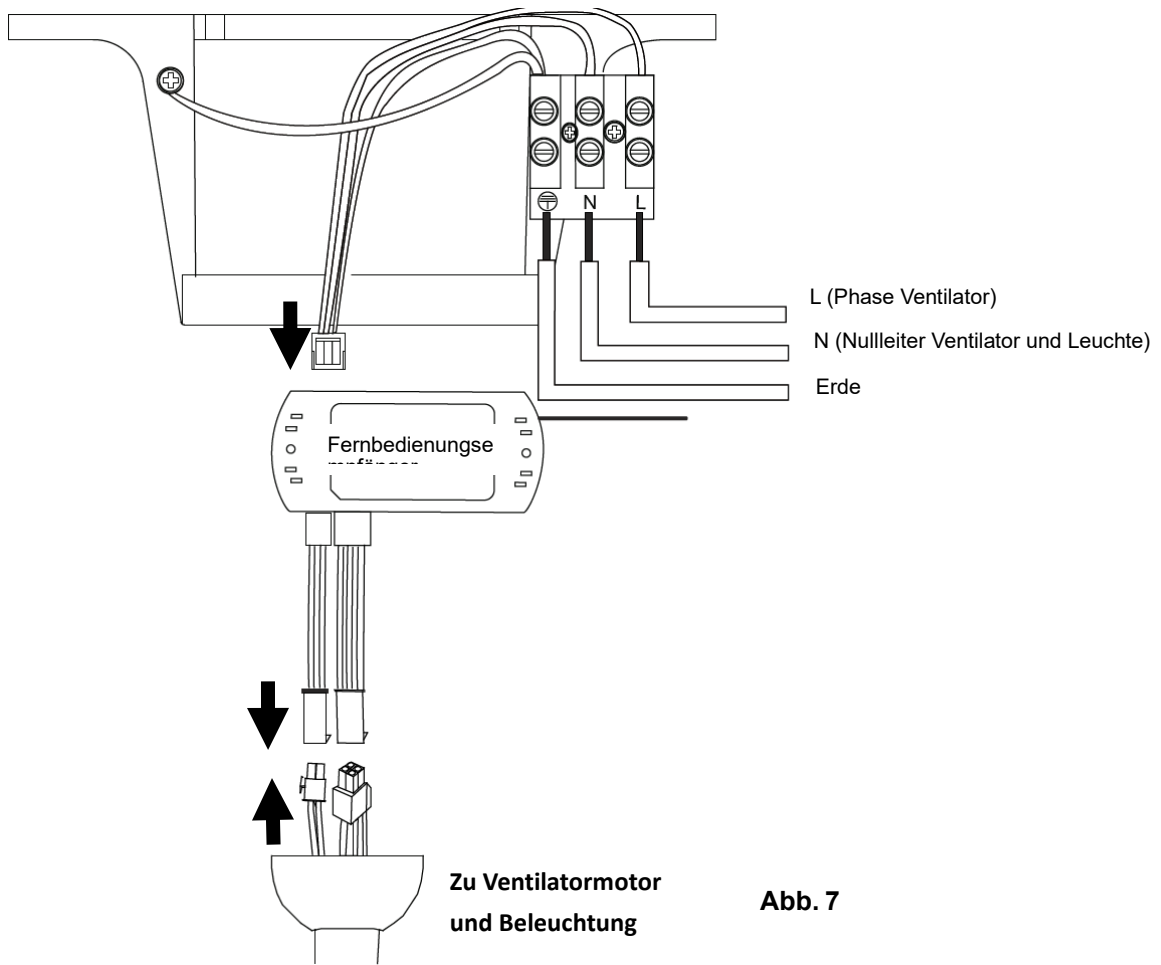


Abb. 7

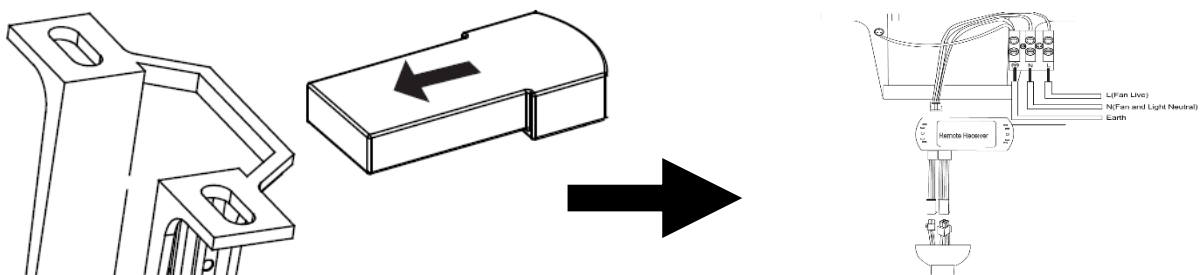


Abb. 8



This fan is suitable for indoor and alfresco areas where the fan is fully undercover with a minimum of 2 walls. This fan is not waterproof. When installed in an alfresco area, the ceiling fan must be positioned in a location protected from water, wind, dust and salt. Exposure to these elements will void the warranty. Mounting the fan in a situation where it is subject to water or moisture is dangerous.

ABSCHLUSS DER INSTALLATION

MONTAGE DER KONSOLE (Abb. 9)

1. Vergewissern Sie sich, dass die Erdungsleitung korrekt und fest angeschlossen ist. Testen Sie dazu die Erdungsleitung zwischen einem zugänglichen Teil des Metallkörpers am Ventilator und dem Masseanschluss an der Klemmleiste der Montagehalterung auf Durchgang.
2. Lösen Sie die 2 Schrauben unten an der Halterung.
3. Schieben Sie die Konsole hoch bis zur Halterung und lassen Sie die Löcher in der Konsole mit den Schrauben an der Halterung fluchten. Drehen Sie die Konsole, bis sie in den Verjüngungen der Langlöcher einrastet und schrauben Sie zur Sicherung die beiden Schrauben fest. Gehen Sie vorsichtig vor, um die zuvor angeschlossenen Elektrokabel nicht zu beschädigen.

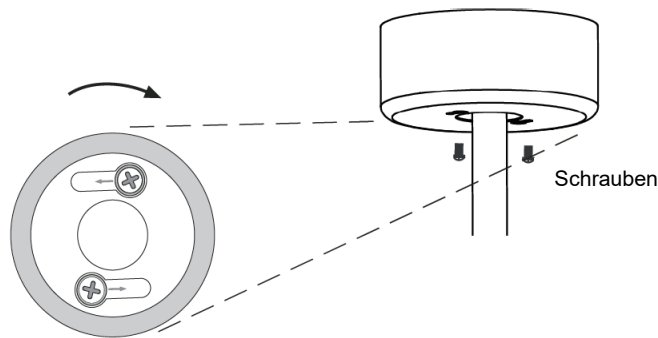


Abb. 9

MONTAGE DER FERNBEDIENUNGSHALTERUNG (Abb. 10)

1. Suchen Sie eine geeignete Wand, um dort die Wandhalterung der Fernbedienung mit 2 Schrauben anzubringen. (Abb. 10a)
2. Setzen Sie die Fernbedienung in die Halterung. (Abb. 10b)

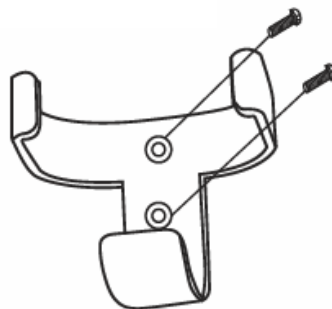


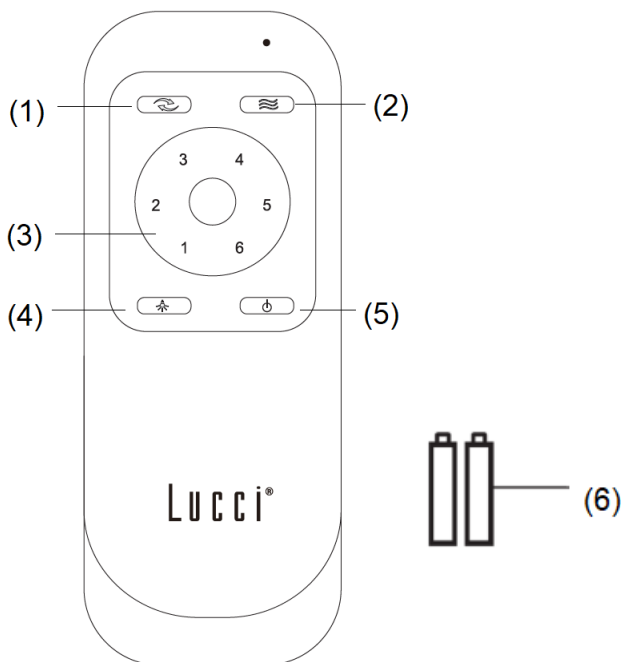
Abb. 10a



Abb. 10b

BENUTZUNG DES DECKENVENTILATORS

FERNBEDIENUNG (Abb. 11)



- (1) Linkslauf
- (2) Natürlicher Wind (der Ventilator schaltet der Reihe nach zwischen den Stufen 1 bis 6 um)
- (3) Geschwindigkeitssteuerung
- (4) Licht ein/aus
- (5) Ventilator ein/aus
- (6) 2x 1,5 V AAA-Batterien (im Lieferumfang enthalten)

Abb. 11

STEUERUNG DER LICHTFUNKTION (Abb. 11)

Die GX53 LED-Lampe verfügt über eine eingebaute 3-stufige Dimmung.

- Schalten Sie die LED-Lampe zunächst mit 100 % Helligkeit ein - drücken Sie einmal die Licht-Taste (4) auf der Fernbedienung.
 - Drücken Sie die Licht-Taste, um innerhalb von 3 Sekunden ein- und dann wieder auszuschalten und so die Helligkeit auf 50 % zu dimmen.
 - Drücken Sie die Licht-Taste, um innerhalb von 3 Sekunden ein- und dann wieder auszuschalten und so die Helligkeit auf 20 % zu dimmen.
- (Wenn innerhalb von 3 Sekunden nicht aus- und eingeschaltet wird, stellt die Beleuchtung wieder auf 100 % Helligkeit um.)


KOPPLUNG VON FERNBEDIENUNG UND EMPFÄNGER - BEI 1 DC-DECKENVENTILATOR AN EINEM ORT

HINWEIS: Stellen Sie sicher, dass ein einpoliger Trennschalter in die feste Verkabelung des Ventilators eingebaut wurde.

HINWEIS: Stellen Sie sicher, dass die Stromversorgung des Empfängers eingeschaltet ist, bevor Sie die Fernbedienung mit dem Empfänger koppeln.

- Schalten Sie die Spannungsversorgung des Ventilators mit dem Wandschalter aus.
- Legen Sie die Batterien in die Fernbedienung ein. Achten Sie auf die richtige Polarität der Batterien.



- Schalten Sie den Empfänger ein.
- Schalten Sie den Empfänger am Ventilator ein und halten Sie innerhalb von 30 Sekunden nach dem Einschalten die Taste „“ auf der Fernbedienung 10 Sekunden lang gedrückt.
- Mit einem Signalton meldet der Empfänger anschließend die erfolgreiche Kopplung.
- Schalten Sie den Deckenventilator über die Fernbedienung ein und probieren Sie mehrere Geschwindigkeiten aus, um den Betrieb und die korrekte Kopplung zu testen.


KOPPLUNG VON FERNBEDIENUNG UND EMPFÄNGER - BEI 2 ODER MEHR DC-VENTILATOREN AN EINEM ORT

Wenn zwei oder mehr Deckenventilatoren in nächster Nähe betrieben werden, möchten Sie vielleicht jedes Sender- und Empfängerpaar separat koppeln, damit die Ventilatoren unabhängig voneinander bedient werden können.


HINWEIS: Stellen Sie sicher, dass Sie für jeden Ventilator einen einpoligen Trennschalter in der festen Verkabelung installiert haben.

HINWEIS: Stellen Sie sicher, dass der Empfänger **eingeschaltet** ist, bevor Sie die Fernbedienung mit dem Empfänger koppeln.

Koppelung von Fernbedienung und Empfänger des Deckenventilators 1:

- Schalten Sie die Empfänger beider Deckenventilatoren 1 und 2 aus.
- Legen Sie die Batterien in die Fernbedienung ein. Achten Sie auf die richtige Polarität der Batterien.
- Schalten Sie Empfänger 1 ein. Lassen Sie Empfänger 2 ausgeschaltet. (Jeder Deckenventilator muss über einen eigenen Trennschalter verfügen, sodass nur der Deckenventilator eingeschaltet ist, der mit dem Sender gekoppelt werden soll.)
- Halten Sie innerhalb von 30 Sekunden nach dem Einschalten des Empfängers von Ventilator 1 an **Sender 1** die Taste „“ 10 Sekunden lang gedrückt.
- Mit einem Signalton meldet der Empfänger anschließend die erfolgreiche Kopplung.
- Schalten Sie Deckenventilator 1 über die Fernsteuerung ein und ändern Sie die Drehzahl, um seine korrekte Funktion und die erfolgreiche Kopplung zu testen.

Koppelung von Fernbedienung/Empfänger des Deckenventilators 2:

- Schalten Sie die Empfänger beider Deckenventilatoren 1 und 2 aus.
- Legen Sie die Batterien in die Fernbedienung ein. Achten Sie auf die richtige Polarität der Batterien.
- Schalten Sie Empfänger 2 ein. Lassen Sie Empfänger 1 ausgeschaltet. (Jeder Deckenventilator muss über einen eigenen Trennschalter verfügen, sodass nur der Deckenventilator eingeschaltet ist, der mit dem Sender gekoppelt werden soll.)
- Halten Sie innerhalb von 30 Sekunden nach dem Einschalten des Empfängers von Ventilator 2 am **Sender 2** die Taste „“ 10 Sekunden lang gedrückt.



- Mit einem Signalton meldet der Empfänger anschließend die erfolgreiche Kopplung.
- Schalten Sie Deckenventilator 2 über die Fernbedienung ein und ändern Sie die Drehzahl, um seine korrekte Funktion und die erfolgreiche Kopplung zu testen.

KOPPLUNG ZWISCHEN EMPFÄNGER UND SENDER WIEDERHERSTELLEN

Falls nach der Installation oder während des Gebrauchs die Ansteuerung zwischen Fernbedienung und Empfänger verloren geht, müssen beide Komponenten wieder gekoppelt werden. Die folgenden Hinweise beschreiben Störungen während des Betriebs und Abhilfemaßnahmen, mit denen die Kopplung zwischen Empfänger und Sender wieder hergestellt werden kann.

Probleme:

- Ansteuerungsproblem – Ventilator läuft nach der Installation nur mit hoher Geschwindigkeit
- Ansteuerungsproblem – Kein Linkslauf nach der Installation
- Ansteuerungsproblem – Fernbedienung kommuniziert mit dem Empfänger nicht

Lösung:

- Deckenventilator ausschalten.
- Deckenventilator einschalten. Gehen Sie vor wie im Abschnitt „Kopplung von Fernbedienung und Empfänger“ beschrieben, um die Kopplung wieder herzustellen.
- Schalten Sie das Gerät ein und stellen Sie eine andere Drehzahl ein, um die Funktion des Ventilators zu überprüfen.

NACH DER INSTALLATION

HINWEIS: Deckenventilatoren neigen dazu, während des Betriebs unruhig zu laufen, da sie auf einer Gummidichtung montiert sind. Wenn der Ventilator fest an der Decke montiert wäre, würden übermäßige Vibrationen entstehen. Eine Pendelbewegung von wenigen Zentimetern ist akzeptabel und weist NICHT auf ein Problem hin.

VENTILATORUNWUCHT VERRINGERN: Prüfen Sie, ob alle Befestigungsschrauben an der Halterung und Deckenstange fest angezogen sind.

AUSGLEICHSGWICHTE: Im Lieferumfang enthalten ist ein Gewichteset zum Auswuchten des Deckenventilators bei der Erstmontage. Beachten Sie die Anweisungen zur Benutzung der Gewichte. Sollte der Deckenventilator über das normale Maß hinaus unruhig laufen, kann er mithilfe der Gewichte erneut ausgewuchtet werden. Bewahren Sie die Gewichte nach der Montage für spätere Zwecke gut auf.

GERÄUSCHE:

In einer ruhigen Umgebung (insbesondere nachts) hören Sie gelegentlich vielleicht leise Geräusche. Leichte Stromschwankungen und Frequenzsignale, die zwecks Warmwasserregulierung außerhalb der Hauptlastzeiten auf das Leitungsnetz übersprechen, können sich auf die Geräusentwicklung des Ventilatormotors auswirken. Dies ist normal. Bitte haben Sie Geduld. Nach einer „Einlaufzeit“ von 24 Stunden,



verschwinden die meisten durch einen neuen Ventilator erzeugten Geräusche.

Die Herstellergarantie deckt reale Mängel ab, die auftreten können, jedoch KEINE geringfügigen Beanstandungen, wie zum Beispiel ein hörbar laufender Motor – alle Elektromotoren geben gewisse Geräusche ab.

PFLEGE UND REINIGUNG

HINWEIS: Schalten Sie vor Reinigungs- und Pflegearbeiten am Ventilator immer die Stromversorgung am Hauptschalter aus.

- Die regelmäßige halbjährliche Reinigung Ihres Deckenventilators ist die einzige Wartung, die erforderlich ist. Benutzen Sie eine weiche Bürste oder ein fusselfreies Tuch, um zu verhindern, dass die Lackierung zerkratzt wird. Bitte schalten Sie die Stromversorgung aus, wenn Sie das Gerät reinigen.
- Tauchen Sie den Deckenventilator NICHT in Wasser oder andere Flüssigkeiten ein. Dadurch könnten der Motor oder die Rotorblätter beschädigt und möglicherweise ein Stromschlag verursacht werden.
- Achten Sie darauf, dass der Ventilator nicht mit organischen Lösungsmitteln oder Reinigungsmitteln in Berührung kommt.
- Wischen Sie die Rotorblätter nur mit einem feuchten Tuch OHNE organische Lösungsmittel oder Reinigungsmittel sauber.
- Der Motor ist mit einem dauergeschmierten Kugellager versehen. Er muss also nicht geschmiert werden.

SICHERHEITSVORKEHRUNGEN FÜR BATTERIEN

- **WARNUNG** – Halten Sie neue und gebrauchte Batterien von Kindern fern.
- **VORSICHT** - Batterie nicht verschlucken – Verätzungsgefahr.
- Verwenden Sie mit dieser Deckenventilator-Fernbedienung immer 2x AAA-Batterien.
- Achten Sie darauf, dass die Batterien mit der richtigen Polarität eingelegt sind.
- Um Fehler beim Einsetzen oder Auswechseln der Batterien zu vermeiden, muss der Deckenventilator vom Stromnetz getrennt werden.
- Entfernen Sie die Batterien aus dem Gerät, wenn Sie es über einen längeren Zeitraum nicht benutzen.
- Die Batterien müssen aus der Fernbedienung entfernt werden, bevor sie entsorgt wird.
- Entsorgen Sie verbrauchte Batterien sofort und sicher (sodass sie von Kindern nicht gefunden werden können). Leere Batterien können weiterhin gefährlich sein. Wenden Sie sich an Ihre örtliche Gemeindeverwaltung, um die Batterie sicher zu entsorgen.
- Überprüfen Sie das Produkt regelmäßig und vergewissern Sie sich, dass der Deckel des Batteriefachs richtig befestigt ist. Wenn sich das Batteriefach nicht korrekt schließen lässt, stellen Sie den Gebrauch des Gerätes ein und halten Sie es von Kindern fern.
- Wenn Sie glauben, dass Batterien verschluckt wurden oder in einen Teil des Körpers eingeführt wurden, suchen Sie sofort einen Arzt auf.



TECHNISCHE DATEN

Ventilator	140-cm-Ventilator – Atlanta
Ventilatormodell/Artikelnummer	LD-140-cm ATL / Artikelnr. 213182, 213183
Nennspannung	220 - 240 VAC, 50 Hz
Nennleistung (Motor)	42 W
Technische Daten der LED-Lampe (Im Lieferumfang des Ventilators enthalten)	Typ: GX53, Stromversorgung: Max. 12 W; Art der Dimmung: 3-stufig geschaltet; CCT: 3000 K; Helligkeit: 100 % - 1100 lm, 50 % - 550 lm, 20 % - 220 lm; Gx53 LED-Lampe Artikelnummer 121354
Batterie für Fernbedienung	2 AAA-Batterien (im Lieferumfang enthalten)
Gewicht	6,8 kg
Maße des Baldachins	H: 51 mm Durchmesser: 140 mm

GARANTIEINFORMATIONEN

IN EUROPA – Kunden in Europa sollten sich an das Geschäft wenden, in dem der Ventilator gekauft wurde, um Garantieleistungen in Anspruch zu nehmen.



This fan is suitable for indoor and alfresco areas where the fan is fully undercover with a minimum of 2 walls. This fan is not waterproof. When installed in an alfresco area, the ceiling fan must be positioned in a location protected from water, wind, dust and salt. Exposure to these elements will void the warranty. Mounting the fan in a situation where it is subject to water or moisture is dangerous.



MERCI POUR VOTRE ACHAT

Nous vous remercions d'avoir acheté le dernier des ventilateurs de plafond à économie d'énergie. Ce ventilateur fonctionne sur une alimentation CC (courant continu), ce qui lui donne l'avantage d'être très économe en énergie tout en maintenant un mouvement d'air à volume élevé et un fonctionnement silencieux.

Économie d'énergie - Le moteur à courant continu est la toute dernière technologie en matière de conception de ventilateurs. Son moteur très efficace permet d'économiser jusqu'à plus de 65% d'énergie par rapport aux ventilateurs de plafond équipés de moteurs à courant alternatif classiques.

Fonctionnement silencieux – Ce moteur de ventilateur à courant continu est programmé avec un courant stabilisé qui réduit efficacement le bruit du moteur.


Faible température de fonctionnement - L'alimentation en courant continu est gérée efficacement, ce qui permet de réduire la température de fonctionnement du moteur à moins de 50°C. Il en résulte un moteur bien plus froid que celui d'un ventilateur classique alimenté en courant alternatif. Cela augmente la durée de vie du moteur.

Télécommande à 6 vitesses - Les ventilateurs de plafond à courant alternatif ne comportent généralement que 3 vitesses. Ce ventilateur à courant continu est fourni avec une télécommande à 6 vitesses, ce qui offre un plus grand choix de niveaux de confort.

CONSIGNES DE SÉCURITÉ

1. En Europe : Cet appareil peut être utilisé par des enfants âgés de plus de 8 ans et des personnes ayant des capacités physiques, sensorielles et mentales réduites ou un manque d'expérience et de connaissances sauf si elles sont surveillées ou si elles ont reçu des instructions concernant l'utilisation de l'appareil en toute sécurité et si elles comprennent les dangers encourus. Le nettoyage et l'entretien ne doivent pas être effectués par des enfants sans surveillance.
2. Il convient de surveiller les enfants pour s'assurer qu'ils ne jouent pas avec l'appareil.
3. Un interrupteur de déconnexion omnipolaire doit être incorporé dans le câblage fixe, conformément aux règles de câblage locales.



4.  Ne jetez pas les appareils électriques avec les déchets municipaux non triés, utilisez des installations de collecte séparées. Contactez les autorités locales pour obtenir des informations sur les systèmes de collecte disponibles. Si les appareils électriques sont éliminés dans des décharges ou des dépotoirs, des substances dangereuses peuvent s'infiltrer dans la nappe phréatique et entrer dans la chaîne alimentaire, ce qui nuit à votre santé et à votre bien-être.
5. La structure sur laquelle le ventilateur est fixé doit être capable de supporter un poids de 28 kg.
6. Le ventilateur doit être fixé de sorte que les pales soient à au moins 2,3 m au-dessus du sol en Europe ou 2,1 m au-dessus du sol en Australie.
7. Ce ventilateur convient pour une utilisation en intérieur et en plein air, à condition d'être dans un emplacement entièrement couvert avec 2 murs minimum. Ce ventilateur n'est pas étanche. Lorsqu'il est



installé en plein air, le ventilateur de plafond doit être placé dans un endroit protégé de l'eau, du vent, de la poussière et du sel. L'exposition aux éléments susmentionnés entraîne l'annulation de la garantie. Le montage du ventilateur dans une situation où il est soumis à l'eau ou à l'humidité est dangereux et peut augmenter le risque de dommages, de blessures ou d'électrocution.

8. L'installation électrique doit être effectuée par un électricien agréé.
9. **AVERTISSEMENT** : Si vous observez des tremblements ou des oscillations inhabituels, arrêtez immédiatement d'utiliser le ventilateur de plafond et contactez le fabricant, son agent de maintenance ou une personne dûment qualifiée.
10. Le remplacement des pièces du dispositif de suspension de sécurité doit être effectué par le fabricant, son agent de maintenance ou des personnes dûment qualifiées.
11. Les moyens de fixation du ventilateur au plafond, tels que les crochets ou autres dispositifs, doivent être fixés avec une résistance suffisante pour supporter 4 fois le poids du ventilateur de plafond ; le montage du système de suspension doit être effectué par le fabricant, son agent d'entretien ou des personnes dûment qualifiées.



LISTE DES PIÈCES

- Déballez soigneusement votre ventilateur de plafond. Retirez toutes les pièces et le matériel.
- Disposez tous les éléments sur une surface lisse et assurez-vous qu'aucun élément ne manque avant de procéder à l'assemblage. Si des pièces manquent, retournez le produit complet au lieu d'achat afin qu'il soit inspecté ou remplacé.
- Vérifiez si le ventilateur de plafond a été endommagé pendant le transport. N'utilisez/n'installez pas un produit présentant des dommages de quelque nature que ce soit. Ramenez le produit dans son intégralité au lieu d'achat afin qu'il soit inspecté, réparé ou remplacé.
- Examinez l'ensemble des pièces, vous devez avoir les pièces indiquées dans la liste suivante et sur la figure 1 :

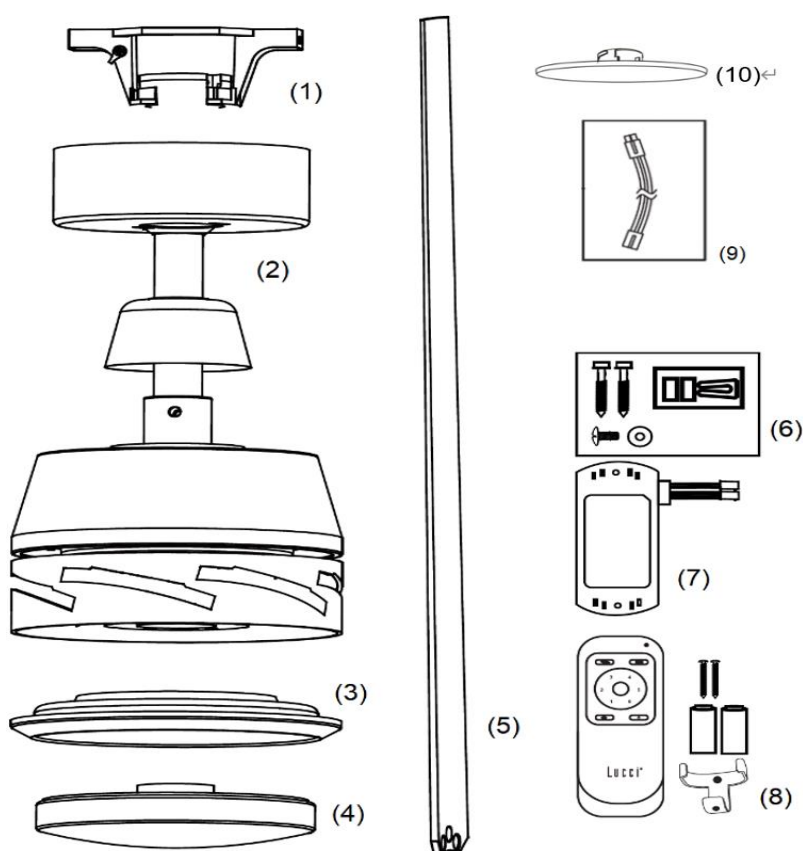


Fig. 1

1	Support de montage x 1	6	Vis de montage et kit d'équilibre x 1 set
2	Ventilateur x 1	7	Récepteur x 1
3	Support de fixation du kit d'éclairage x 1	8	Télécommande, piles, support x 1 set
4	Ampoule GX53 x 1	9	Rallonge du kit d'éclairage x 1
5	Pales x 7	10	Plaquette de décoration non éclairée



INSTALLATION DU VENTILATEUR

OUTILS REQUIS :

- Tournevis cruciforme/à tête plate
- Pincés
- Clé à molette
- Escabeau
- Coupe-fil
- Câblage, câble d'alimentation selon les codes et règlements de câblage locaux, provinciaux et nationaux

INSTALLATION DU SUPPORT DE MONTAGE

- Le ventilateur de plafond doit être installé dans un endroit où les pales seront éloignées d'au moins 300 mm de tout objet ou mur.
- Installez le support de suspension sur une solive ou une structure capable de supporter une charge d'au moins 30 kg avec les deux vis longues fournies. Assurez-vous qu'au moins 30 mm des vis soient vissés dans le support. (Fig. 2)

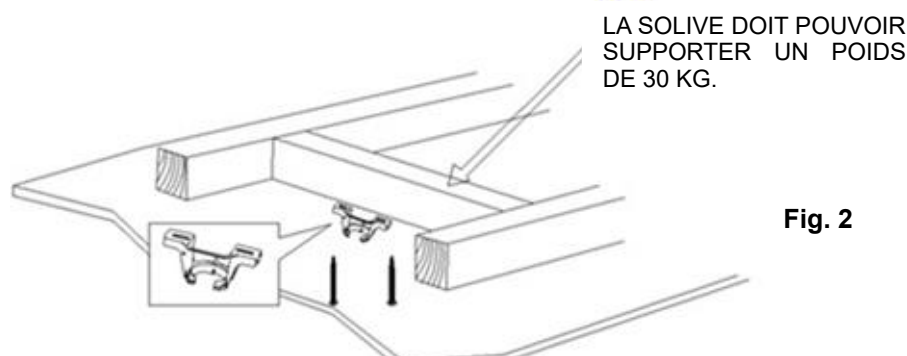


Fig. 2

REMARQUE : CETTE ILLUSTRATION N'EST FOURNIE QU'À TITRE INDICATIF ET NE REPRÉSENTE PAS LE SUPPORT RÉEL

REMARQUE : Les vis de support fournies conviennent uniquement pour les structures en bois. Pour les structures autres que du bois, un type de vis approprié doit **IMPÉRATIVEMENT** être utilisé. Veillez à ce que les vis utilisées soient adaptées à la surface de montage et à l'environnement.



INSTALLATION SUR PLAFOND INCLINÉ

Ce système de suspension de ventilateur permet une installation sur plafond incliné de 9° de pente au maximum. (Fig. 3)

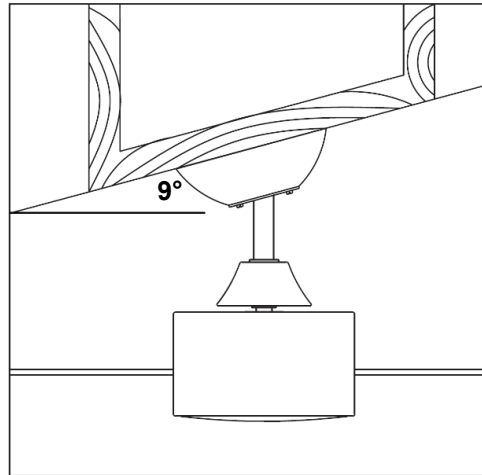


Fig. 3

INSTALLATION DE LA PALE (Fig. 4)

1. Insérez la pale dans l'encoche du membre en rotation du moteur du ventilateur.
2. Alignez et engagez les trous de la pale sur le support de la pale.
3. Fixez la pale au moteur du ventilateur en serrant les 3 vis et les rondelles de la pale.
Vérifiez que toutes les vis sont uniformément serrées pour réduire le risque de déséquilibre et de déformation.
Veillez à ne pas trop serrer les vis, car cela pourrait endommager les pales.
4. Répétez ces mêmes étapes pour les autres pales.

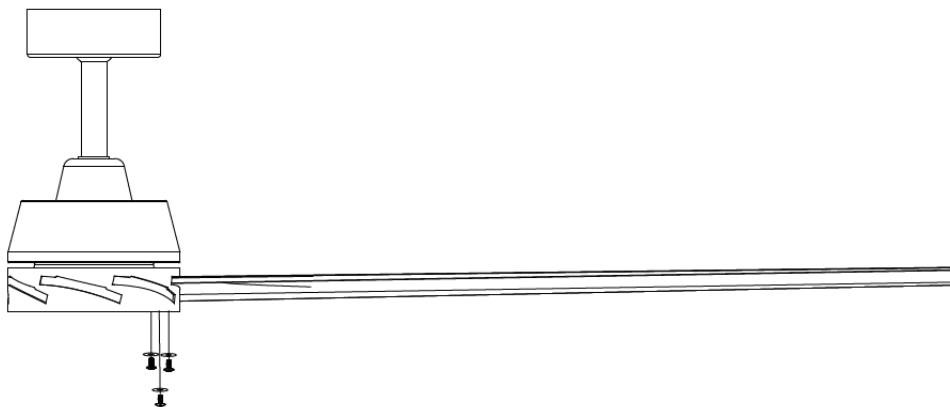


Fig. 4

INSTALLATION DU KIT D'ÉCLAIRAGE (Fig. 5)

- **REMARQUE** : Le kit d'éclairage doit être installé par un électricien agréé.
- Alignez les 2 vis à tête fendue du moteur avec les encoches du support du kit d'éclairage (3).
- Tournez le support du kit d'éclairage dans le sens inverse des aiguilles d'une montre jusqu'à ce que les vis à tête fendue soient calées à l'extrémité des encoches.
- Serrez la vis (2) et les 2 vis à tête fendue pour fixer le support du kit d'éclairage.



- Installez l'ampoule (4) au support d'ampoule GX53 (5). Ne dépassez pas la puissance nominale maximale.

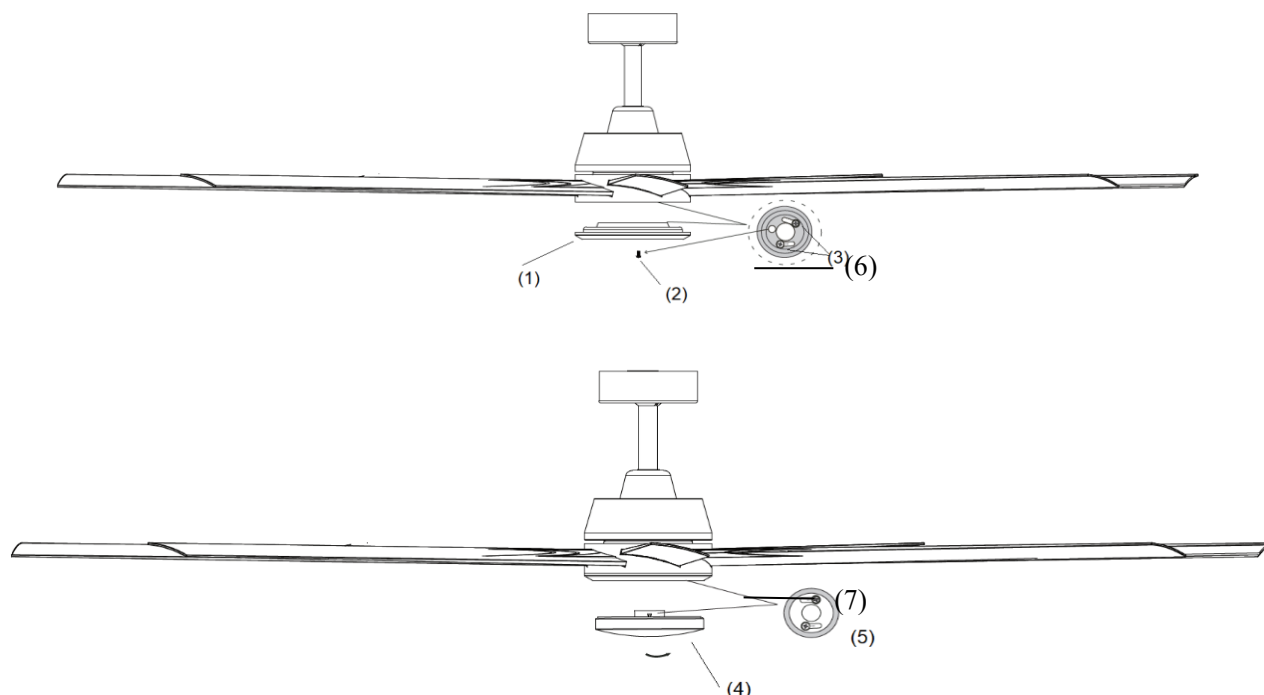
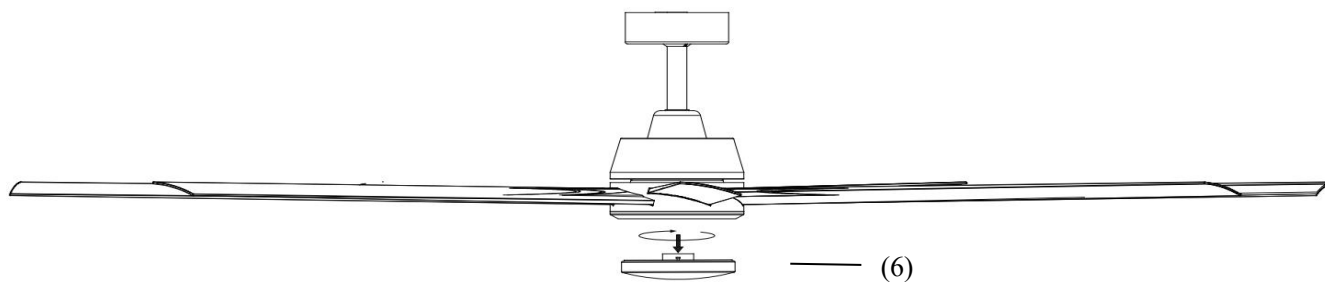


Fig. 5

INSTALLATION DE la plaque de décoration non éclairée (Fig. 5 – 2)

- Retirez l'ampoule (6) du support d'ampoule GX53.



- Installez la plaque de décoration non éclairée (7) sur le support d'éclairage.

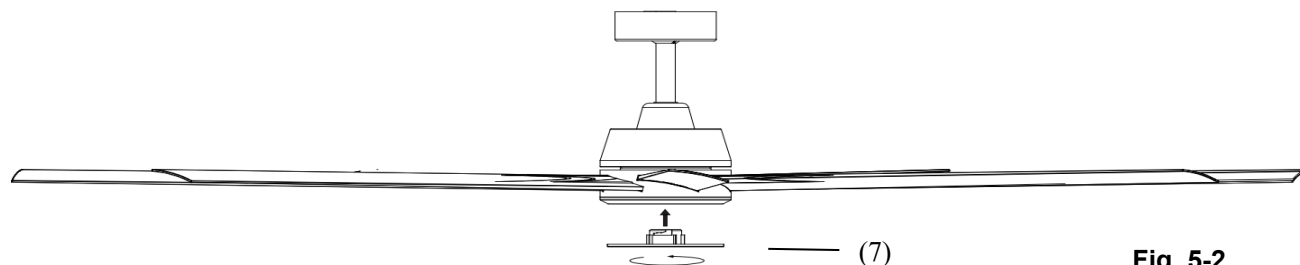


Fig. 5-2



SUSPENSION DU VENTILATEUR

Soulevez le ventilateur pour le placer sur le support de montage. Assurez-vous que l'encoche clé (A) de la rotule de la suspension est positionnée sur la goupille clé (B) du support de montage (C) pour empêcher le ventilateur de tourner lorsqu'il fonctionne. (Fig. 6)

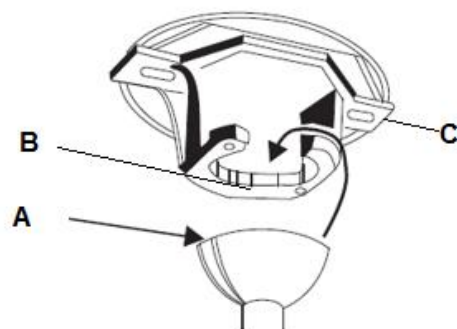


Fig. 6

SCHÉMA DE CÂBLAGE ÉLECTRIQUE DU VENTILATEUR


AVERTISSEMENT : POUR VOTRE SÉCURITÉ, TOUS LES RACCORDEMENTS ÉLECTRIQUES DOIVENT ÊTRE EFFECTUÉS PAR UN ÉLECTRICIEN AGRÉÉ.

REMARQUE : UN COMMUTATEUR DE DÉCONNEXION MULTIPOLAIRE SUPPLÉMENTAIRE DOIT ÊTRE INCLUS DANS LE CÂBLAGE FIXE.

REMARQUE : SI DEUX OU PLUSIEURS VENTILATEURS DE PLAFOND À COURANT CONTINU SONT INSTALLÉS DANS LE MÊME LIEU, UN COMMUTATEUR D'ISOLATION EST NÉCESSAIRE POUR CHAQUE VENTILATEUR DE PLAFOND. IL EST REQUIS LORS DE LA PROGRAMMATION DE LA TÉLÉCOMMANDE ET DU RÉCEPTEUR EN VUE DE LEUR APPARIEMENT.

Remarque : Si une tige de rallonge est utilisée, le câble de rallonge du kit d'éclairage (pièce 9 sur Fig.1) est nécessaire.

Voir Fig. 8 et instructions ci-dessous pour le câblage du ventilateur.

- Reliez le fil « PHASE » à la borne « L » du bornier sur le support de montage.
- Reliez le fil « NEUTRE » à la borne « N » du bornier sur le support de montage.
- Reliez le fil « TERRE » à la borne «  » du bornier sur le support de montage.
- Accrochez le ventilateur (voir « Suspension du ventilateur » Fig. 6, page 6).
- Branchez le connecteur du câblage d'alimentation du support de montage à l'entrée du pilote/récepteur du moteur CC.
- Branchez le connecteur de l'éclairage et le connecteur du ventilateur du pilote/récepteur du moteur CC aux fils d'entrée du moteur du ventilateur et du kit d'éclairage.
- Insérez avec précaution le récepteur de la télécommande au-dessus de la boule de suspension dans l'espace restant du support de montage. Veillez à ne pas endommager ou desserrer le câblage.. (Fig. 8).



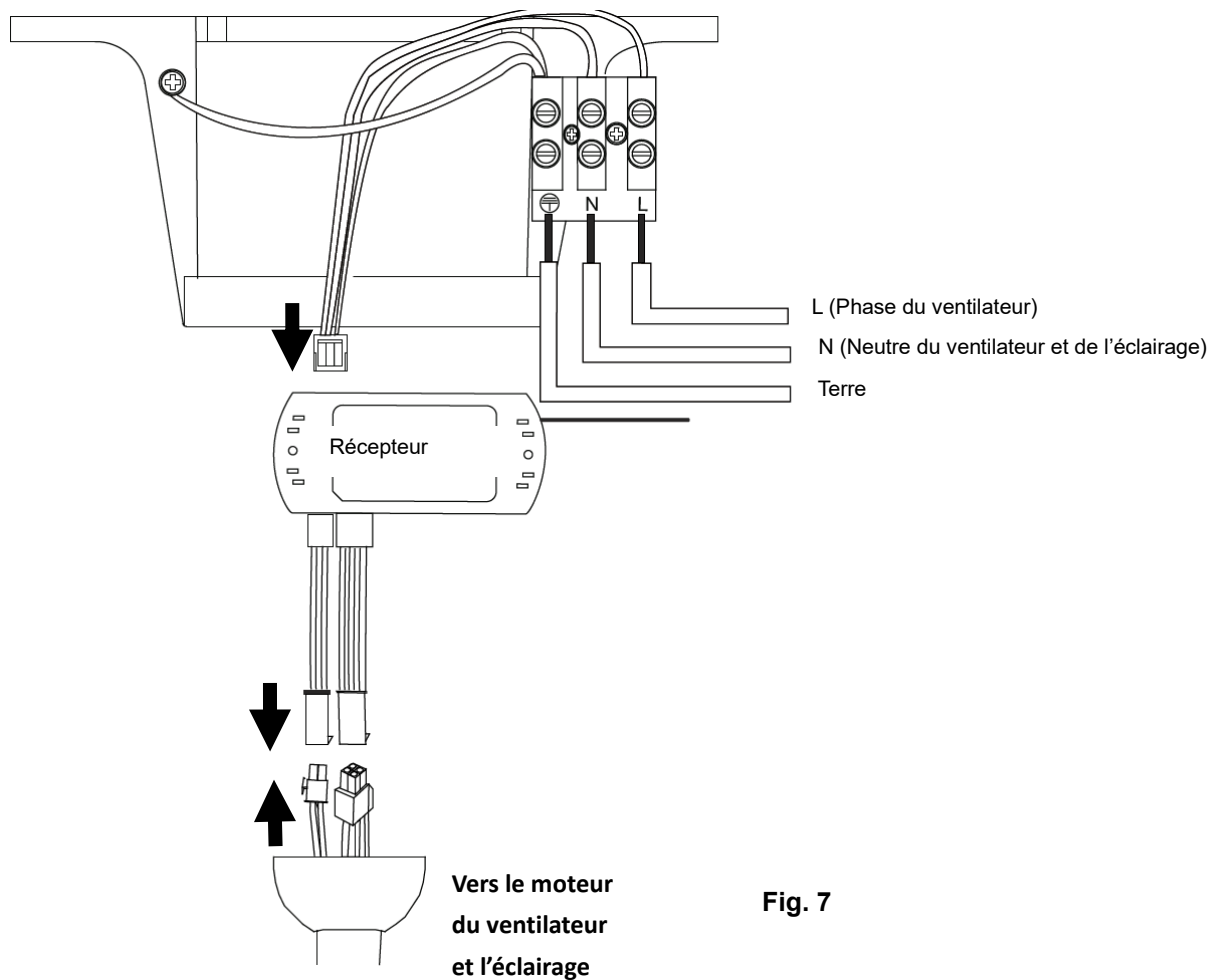


Fig. 7

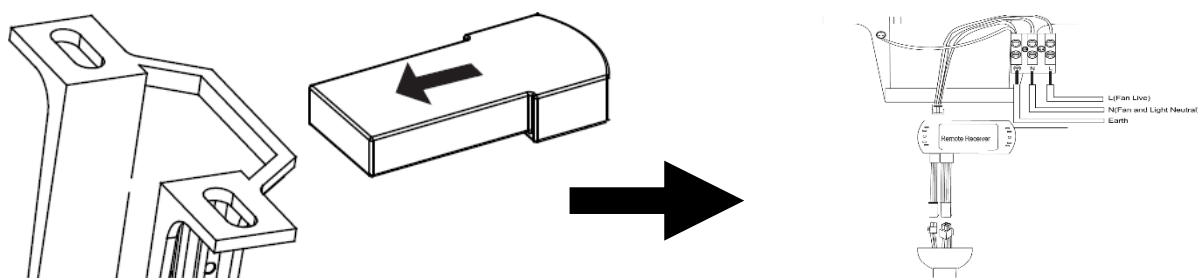


Fig. 8



This fan is suitable for indoor and alfresco areas where the fan is fully undercover with a minimum of 2 walls. This fan is not waterproof. When installed in an alfresco area, the ceiling fan must be positioned in a location protected from water, wind, dust and salt. Exposure to these elements will void the warranty. Mounting the fan in a situation where it is subject to water or moisture is dangerous.

FINALISATION DE L'INSTALLATION

INSTALLATION DU CACHE (Fig. 9)

1. Assurez-vous que le câblage à la terre est sécurisé et bien fait, en effectuant un test de continuité de mise à la terre du corps en métal accessible du ventilateur à la borne de la terre du bornier sur le support de montage.
2. Desserrez les 2 vis situées sur la partie inférieure du support de montage.
3. Faites passer le cache sur le support de montage et alignez les encoches du cache avec les vis sur le support de montage. Tournez le cache de fixation jusqu'à ce qu'il se verrouille en place à la section d'extrémité de l'encoche en forme de L et fixez-le en serrant les deux vis. Évitez d'endommager le câblage électrique préparé précédemment.

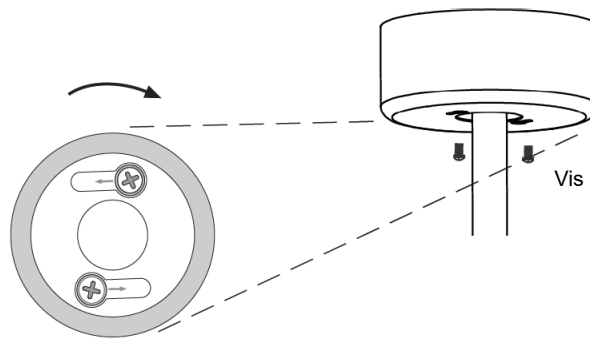


Fig. 9

INSTALLATION DU SUPPORT DE LA TÉLÉCOMMANDE (Fig. 10)

1. Cherchez un mur adéquat pour fixer le support mural de la télécommande avec les 2 vis. (Schéma 10a).
2. Emboîtez la télécommande dans le support. (Fig. 10b)

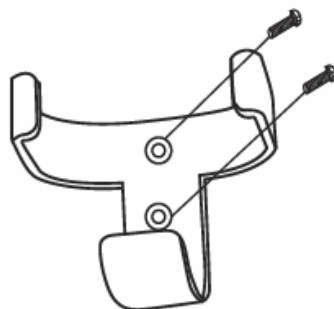


Fig. 10a

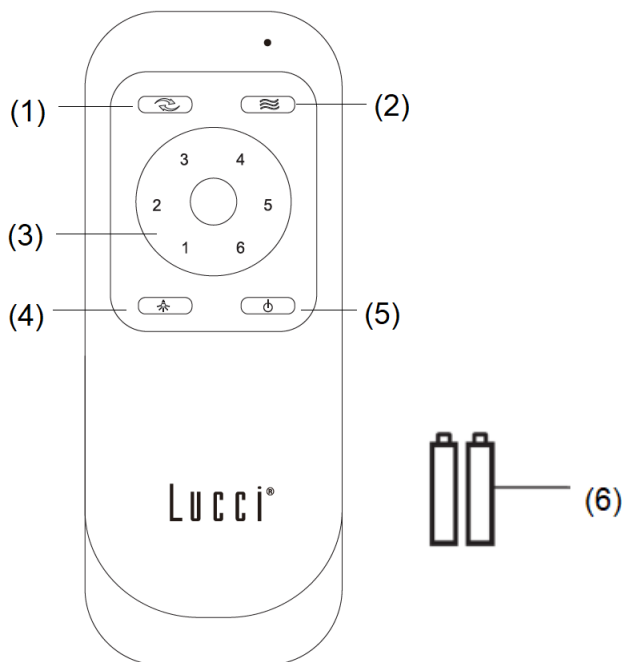


Fig. 10b



UTILISATION DE VOTRE VENTILATEUR DE PLAFOND

TÉLÉCOMMANDE (Fig. 11)



- (1) Contrôle inverse
- (2) Flux d'air naturel (le cycle automatique de la vitesse du ventilateur entre les vitesses 1 et 6)
- (3) Contrôle de la vitesse
- (4) Bouton marche/arrêt de l'éclairage
- (5) Bouton marche/arrêt du ventilateur
- (6) 2 piles AAA 1,5 V (fournies)

Fig. 11

COMMANDE DE LA FONCTION D'ÉCLAIRAGE (Fig. 11)

La lampe LED GX53 dispose d'un circuit de variation de lumière intégré de 3 niveaux.

- La lampe LED s'allume au départ avec une luminosité de 100 %. Appuyez sur le bouton de l'éclairage (4) une fois sur la télécommande.
 - Appuyez sur le bouton de l'éclairage pour l'éteindre, puis rallumez-le dans les 3 secondes pour obtenir une luminosité de 50 %.
 - Appuyez sur le bouton de l'éclairage pour l'éteindre, puis rallumez-le dans les 3 secondes pour obtenir une luminosité de 20 %.
- (Si la mise en marche/l'arrêt ne sont pas effectuées dans les 3 secondes, la luminosité de la lampe reviendra à un niveau de 100%.)


APPARIEMENT DE LA TÉLÉCOMMANDE ET DU RÉCEPTEUR - LORSQU'UN VENTILATEUR DE PLAFOND À COURANT CONTINU EST INSTALLÉ À UN ENDROIT

REMARQUE : Assurez-vous d'avoir installé un interrupteur de déconnexion unipolaire dans le câblage fixe du ventilateur.

REMARQUE : Assurez-vous que le récepteur est sous tension avant d'apparier la télécommande avec le récepteur.

- Coupez l'alimentation électrique du ventilateur à l'aide de l'interrupteur mural marche/arrêt.
- Installez les piles dans la télécommande. Assurez-vous que le sens de polarité des piles est correct.
- Mettez le récepteur sous tension.



- Maintenez le bouton «  » de la télécommande enfoncé pendant 10 secondes dans les 30 secondes qui suivent la mise sous tension du récepteur du ventilateur de plafond.
- Vous entendez un « bip » de notification du récepteur pour indiquer que le processus d'appariement est réussi.
- Allumez et modifiez la vitesse du ventilateur de plafond à l'aide de la télécommande pour vérifier le fonctionnement et la réussite du processus d'appariement.


APPARIEMENT DE LA TÉLÉCOMMANDE ET DU RÉCEPTEUR - LORSQUE 2 OU PLUSIEURS VENTILATEURS DE PLAFOND À COURANT CONTINU SONT INSTALLÉS AU MÊME ENDROIT

Lorsque deux ou plusieurs ventilateurs sont situés à proximité l'un de l'autre, il pourrait être souhaitable que la télécommande/le récepteur de chaque ventilateur soit réglé sur un code différent, afin que le fonctionnement d'un ventilateur n'affecte pas celui des autres.

REMARQUE : Assurez-vous d'avoir installé un interrupteur de déconnexion unipolaire dans le câblage fixe de chaque ventilateur.

REMARQUE : Assurez-vous que le récepteur est **sous tension** avant d'appairer la télécommande avec le récepteur.


Appariement télécommande/récepteur pour le ventilateur de plafond 1 :

- Coupez l'alimentation électrique des récepteurs des deux ventilateurs de plafond 1 et 2.
- Installez les piles dans la télécommande. Assurez-vous que le sens de polarité des piles est correct.
- Mettez le récepteur 1 sous tension. Maintenez le récepteur 2 hors tension. (Chaque ventilateur de plafond doit avoir son propre commutateur d'isolation, de sorte que seul le ventilateur de plafond qui doit être apparié avec la télécommande soit sous tension).
- Maintenez le bouton «  » de l'émetteur 1 enfoncé pendant 10 secondes dans les 30 secondes qui suivent la mise sous tension du récepteur du ventilateur de plafond 1.
- Vous entendez un « bip » de notification du récepteur pour indiquer que le processus d'appariement est réussi.
- Allumez le ventilateur de plafond 1 et changez sa vitesse à l'aide de l'émetteur pour contrôler le fonctionnement et le bon appariement.

Appariement télécommande/récepteur pour le ventilateur de plafond 2 :

- Coupez l'alimentation électrique des récepteurs des deux ventilateurs de plafond 1 et 2.
- Installez les piles dans la télécommande. Assurez-vous que le sens de polarité des piles est correct.
- Mettez le récepteur 2 sous tension. Maintenez le récepteur 1 hors tension. (Chaque ventilateur de plafond doit avoir son propre commutateur d'isolation, de sorte que seul le ventilateur de plafond qui doit être apparié avec la télécommande soit sous tension).



- Maintenez le bouton «  » de l'**émetteur 2** enfoncé pendant 10 secondes dans les 30 secondes qui suivent la mise sous tension du récepteur du ventilateur de plafond 2.
- Vous entendez un « bip » de notification du récepteur pour indiquer que le processus d'appariement est réussi.
- Allumez et modifiez la vitesse du ventilateur de plafond 2 à l'aide de la télécommande pour vérifier le fonctionnement et la réussite du processus d'appariement.

RÉPARATION DE L'APPARIEMENT DU RÉCEPTEUR ET DE LA TÉLÉCOMMANDE DU VENTILATEUR

Si la télécommande et le récepteur perdent le contact après l'installation ou pendant l'utilisation, l'appariement de la télécommande et du récepteur doit être rétabli. Vous trouverez ci-dessous les symptômes des problèmes de fonctionnement et la méthode de rétablissement de l'appariement de la télécommande et du récepteur du ventilateur de plafond CC.

Problèmes :

- Perte de contrôle - Le ventilateur ne fonctionne qu'à vitesse élevée après l'installation
- Perte de contrôle - Pas de fonctionnement inverse après l'installation
- Perte de contrôle - La télécommande ne peut pas communiquer avec le récepteur

Solution :

- Coupez l'alimentation principale du ventilateur de plafond.
- Allumez l'alimentation principale du ventilateur de plafond. Suivez le même processus que celui décrit dans le paragraphe « Appariement de la télécommande et du récepteur » pour réparer le ventilateur.
- Allumez le ventilateur de plafond et sélectionnez différentes vitesses pour vérifier le fonctionnement du ventilateur.

APRÈS L'INSTALLATION

REMARQUE : Les ventilateurs de plafond ont tendance à bouger quand ils fonctionnent du fait qu'ils sont montés sur un œillet en caoutchouc. Si le ventilateur était monté de façon rigide au plafond, cela causerait des vibrations excessives. Un mouvement de quelques centimètres est acceptable et **N'INDIQUE PAS UN PROBLÈME**.

POUR RÉDUIRE LES TREMBLEMENTS DU VENTILATEUR : Veuillez vérifier que toutes les vis qui fixent le support de fixation et la tige de suspension sont bien serrées.

KIT D'ÉQUILIBRAGE : Un kit d'équilibrage est fourni pour équilibrer le ventilateur de plafond lors de l'installation initiale. Veuillez vous référer aux instructions d'utilisation du kit d'équilibrage. Le kit d'équilibrage peut être utilisé pour faciliter le rééquilibrage si le ventilateur de plafond se déséquilibre à nouveau. Rangez votre kit d'équilibrage après l'installation pour une utilisation ultérieure si nécessaire.

BRUIT :



Lorsque l'ambiance est calme (en particulier la nuit), il se peut que vous entendiez de faibles bruits occasionnels. De légères fluctuations de l'alimentation électrique et des signaux de fréquence superposés dans l'électricité pour le contrôle de la production d'eau chaude en période creuse peuvent entraîner un changement du bruit du moteur du ventilateur. Ce phénomène est normal. Veuillez prévoir une période de « rodage » de 24 heures : la plupart des bruits associés à un ventilateur neuf disparaissent pendant cette période.

La garantie du fabricant couvre les défauts réels susceptibles d'apparaître et NON les réclamations mineures telles que le bruit de fonctionnement du ventilateur : tous les moteurs électriques sont audibles dans une certaine mesure.

ENTRETIEN ET NETTOYAGE

REMARQUE : Coupez toujours l'alimentation au niveau de l'interrupteur secteur avant tout entretien ou toute tentative de nettoyage du ventilateur.

- Le seul entretien requis est un nettoyage tous les 6 mois de votre ventilateur de plafond. Utilisez une brosse à poils souples ou un chiffon non pelucheux pour éviter de rayer la peinture. Veuillez couper l'alimentation secteur lors de cette opération.
- Ne trempez pas ou n'immergez pas le ventilateur de plafond dans l'eau ou dans d'autres liquides. Cela pourrait endommager le moteur ou les pales et créer un risque de choc électrique.
- Veillez à ce que le ventilateur n'entre pas en contact avec des solvants organiques ou des détergents.
- Pour nettoyer les pales du ventilateur, essuyez-les avec un chiffon propre et humide seulement, sans solvant organique ni détergent.
- Le moteur dispose d'un roulement à billes lubrifié en permanence, il n'y a donc pas besoin de l'huiler.

CONSIGNES DE SÉCURITÉ RELATIVES AUX PILES

- **AVERTISSEMENT** – Maintenez les piles neuves et usées hors de portée des enfants.
- **ATTENTION** – N'ingérez pas les piles, risque de brûlure chimique.
- Utilisez toujours 2 piles de type AAA avec la télécommande de ce ventilateur de plafond.
- Les piles doivent être insérées dans le sens de polarité indiqué.
- Afin d'éviter une mise en marche inattendue pendant l'insertion ou le remplacement des piles, ce ventilateur de plafond doit être débranché de l'alimentation secteur.
- Retirez la pile du produit lorsqu'il n'est pas utilisé pendant longtemps.
- Les piles doivent être retirées de la télécommande avant d'être jetées.
- Jetez les piles épuisées immédiatement et de manière sécurisée (afin qu'elles ne puissent pas être récupérées par des enfants). Les piles usées restent dangereuses. Contactez les autorités locales pour éliminer les piles en toute sécurité.
- Vérifiez régulièrement le produit et assurez-vous que le couvercle du compartiment des piles est bien fermé. Si le compartiment des piles ne peut pas être fermé solidement, cessez d'utiliser le produit et maintenez-le hors de portée des enfants.
- Si vous pensez que des piles ont peut-être été avalées ou mises dans une partie du corps, consultez immédiatement un médecin.



INFORMATIONS TECHNIQUES

Ventilateur	Ventilateur 56" – Atlanta
Modèles de ventilateur / N° UGS	LD-56" ATL / N° UGS 213182, 213183
Tension nominale	220-240 V~ 50 Hz
Puissance nominale (moteur)	42 W
Spécifications de la lampe LED (Comprise avec le ventilateur)	Type : GX53, Puissance : Max.12 W ; Type de variation : 3 étapes par pression d'interrupteur ; TC : 3 000 K ; Luminosité : 100 % - 1 100 lm, 50 % - 550 lm, 20 % - 220 lm ; Lampe LED GX53 N° UGS 121354
Piles pour télécommande	2 piles AAA (fournies)
Poids	6,8 kg
Dimensions du cache	H : 51 mm Dia : 140 mm

INFORMATIONS SUR LA GARANTIE

EN EUROPE – Si vous êtes un client européen, veuillez contacter le magasin où le ventilateur a été acheté afin de faire valoir la garantie.



E

GRACIAS POR SU COMPRA

Gracias por comprar la última tecnología en ventiladores de techo de bajo consumo. Este ventilador funciona por corriente continua (CC) y ofrece la máxima eficiencia energética a la vez que asegura el desplazamiento máximo de aire y un funcionamiento silencioso.

Ahorro de energía - El motor CC incorpora la última tecnología en diseño de ventiladores. Su motor de alta eficiencia ahorra hasta un 65 % más de energía que los ventiladores de techo con motores de CA tradicionales.

Funcionamiento silencioso - Este ventilador con motor de CC está programado con una corriente estabilizada que reduce eficazmente el ruido del motor.

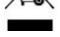
Baja temperatura de funcionamiento – La alimentación por corriente continua reduce la temperatura de funcionamiento del motor a menos de 50 °C . Con esto se consigue un motor más frío que el de un ventilador CA estándar y se aumenta la longevidad del motor.

Mando a distancia con 6 velocidades - Los ventiladores CA normales solo disponen de 3 velocidades. Este ventilador CC incluye un mando a distancia con 6 velocidades que le proporciona más opciones en cuanto a niveles de confort.

MEDIDAS DE SEGURIDAD

1. En Europa: Este aparato puede ser utilizado por niños a partir de los 8 años o personas con discapacidades físicas, sensoriales o mentales, o que no cuenten con suficiente experiencia o conocimientos, si son supervisados o han sido instruidos en el uso apropiado y seguro del aparato y entienden los peligros que acarrea. Las tareas de limpieza y mantenimiento no podrán ser realizadas por niños sin la debida supervisión.
2. Se deberá vigilar a los niños para asegurarse de que no jueguen con el aparato.
3. De conformidad con el reglamento local sobre cableados, se deberá incorporar un interruptor de desconexión onnipolar en el cableado fijo.



4.  No deseche los aparatos eléctricos como desechos sin clasificar. Utilice los puntos de recogida selectiva o centros de reciclaje designados para este propósito. Póngase en contacto con las autoridades locales para que le informen sobre los sistemas de recogida disponibles. De acabar en los vertederos o basureros, los aparatos eléctricos pueden desprender sustancias nocivas que podrían contaminar las aguas subterráneas y entrar en la cadena alimenticia, con el consecuente peligro para la salud y el bienestar.
5. La estructura a la que el ventilador debe montarse debe ser capaz de soportar 28 kg de peso.
6. El ventilador deberá montarse de tal manera que las aspas estén, como mínimo, a una altura de 2,3 m del suelo en Europa o de 2,1 m en Australia.
7. Este ventilador es apropiado para áreas de interior y al aire libre donde esté totalmente cubierto y con 2 paredes como mínimo. Este ventilador no es resistente al agua. Cuando se instale en un lugar al aire



libre, el ventilador de techo debe ubicarse en un lugar protegido del agua, el viento, el polvo y la sal. La exposición a estos elementos anulará la garantía. Montar el ventilador en un lugar donde quede expuesto al agua o la humedad es peligroso y puede aumentar el riesgo de daños, lesiones o descargas eléctricas.

8. La instalación eléctrica debería efectuarla un electricista acreditado.
9. ADVERTENCIA: Si se observara un movimiento inusual de oscilación o bamboleo, deje de usar el ventilador de techo inmediatamente y póngase en contacto con el fabricante, su servicio técnico o personas debidamente cualificadas.
10. La sustitución de las piezas del sistema de suspensión de seguridad deberá llevarla a cabo el fabricante, su servicio técnico o personas debidamente cualificadas.
11. Los elementos para sujetarlo al techo, como ganchos u otros elementos, deberán fijarse con suficiente firmeza para soportar 4 veces el peso del ventilador de techo. El montaje del sistema de suspensión deberá efectuarlo el fabricante, su servicio técnico o personas debidamente cualificadas.

LISTA DE COMPONENTES

- Desembale el ventilador de techo con cuidado. Saque todas las piezas y la tornillería.
- Deposite todos los componentes sobre una superficie lisa y asegúrese de que no falte ninguno antes de comenzar el montaje. Si falta alguna pieza, devuelva el producto completo al lugar donde realizó la compra para que lo examinen o reemplacen.
- Compruebe que el ventilador de techo no haya sufrido algún daño durante el transporte. Nunca utilice o instale un producto que parezca estar dañado. Devuelva el producto completo al lugar donde realizó la compra para que lo examinen, reparen o sustituyan por otro.
- Compruebe que tiene todas las piezas que aparecen en la siguiente lista y en la Fig. 1:

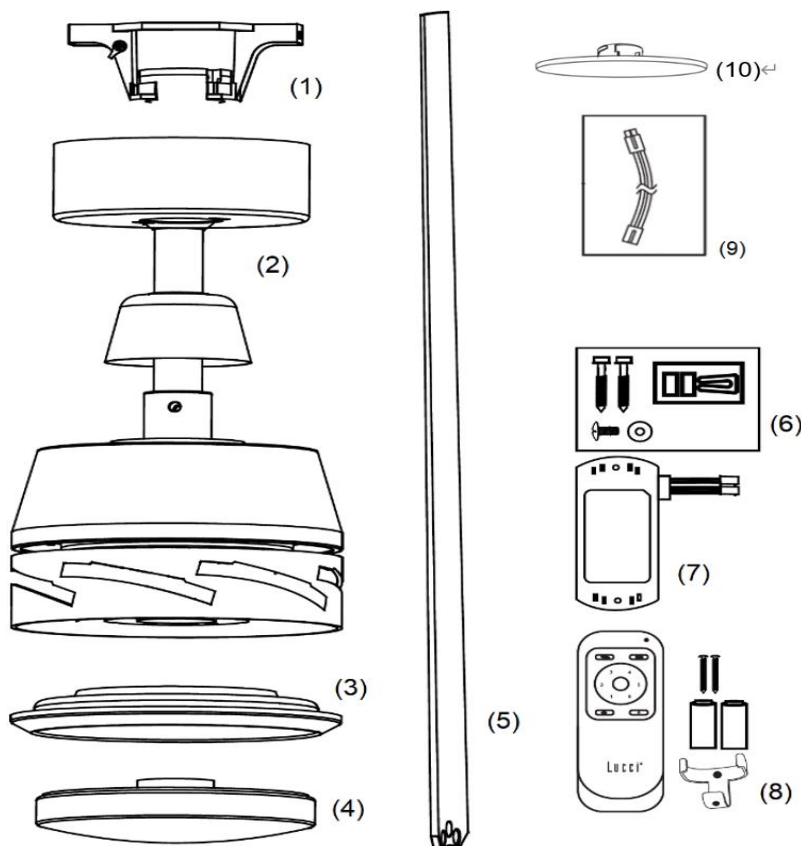


Fig. 1



1	Soporte de techo x 1	6	Tornillos de instalación y kit de compensación x 1 juego
2	Conjunto del ventilador x 1	7	Receptor de la señal remota x 1
3	Soporte para el kit de luz x 1	8	Mando a distancia, pila, soporte x 1 juego
4	Lámpara GX53 x1	9	Cable de extensión del kit de iluminación x 1
5	Aspas x 7	10	Placa de decoración sin luz

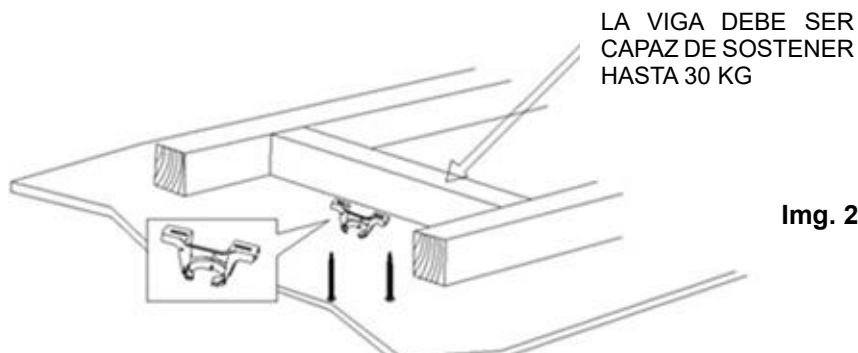
INSTALACIÓN DEL VENTILADOR

HERRAMIENTAS NECESARIAS:

- Destornillador Phillips/punta plana
- Alicates
- Llave inglesa
- Escalera
- Cortacables
- Cableado y cable de corriente, conforme a lo requerido por los reglamentos y las normas nacionales y provinciales

INSTALACIÓN DEL SOPORTE DE TECHO

- El ventilador de techo debe instalarse en un lugar donde las puntas de las aspas estén a una distancia mínima de 300 mm de las paredes y los objetos más cercanos.
- Con los dos tornillos largos suministrados, instale el soporte de colgar sobre una viga o una estructura del techo capaz de soportar al menos 30 kg. Asegúrese de enroscar los tornillos 30 mm como mínimo en el soporte. (Fig. 2)



NOTA: ESTA IMAGEN SOLO SE MUESTRA A MODO DE REFERENCIA Y NO ES UNA REPRESENTACIÓN DEL SOPORTE REAL

NOTA: Los tornillos del soporte solo deben usarse con estructuras de madera. Para estructuras diferentes a la madera, DEBERÁ utilizarse el tipo de tornillo adecuado. Asegúrese de que los tornillos sean los apropiados para la superficie de montaje y su alrededor.



INSTALACIÓN EN UN TECHO INCLINADO

Este ventilador con sistema colgante puede ser instalado en un techo con una inclinación máxima de 9 grados. (Fig. 3)

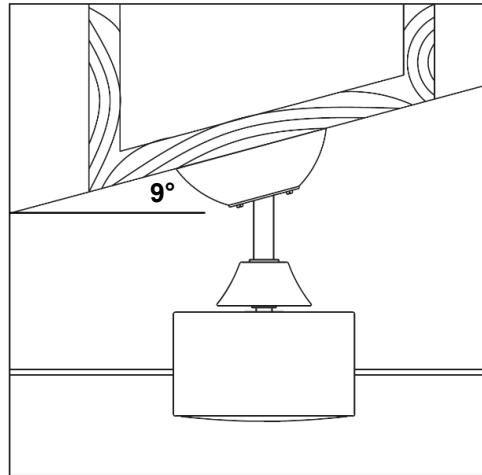


Fig. 3

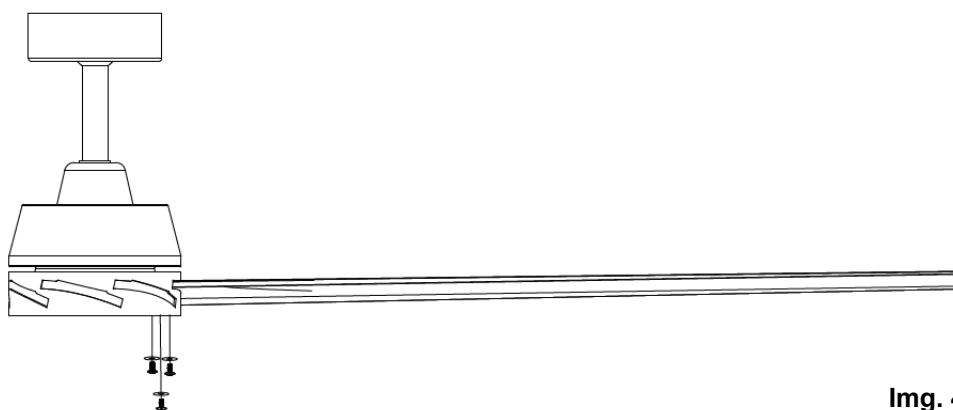
INSTALACIÓN DE LAS ASPAS (Fig. 4)

1. Inserte las aspas en la ranura del conjunto giratorio del motor del ventilador.
2. Encaje el aspa a su soporte y alinee los orificios.
3. Asegure el aspa al conjunto del motor del ventilador mediante 3 tornillos y sus arandelas correspondientes.

Asegúrese de que todos los tornillos estén igualmente apretados para hacer menos probable los alabeos o desequilibrios.

Tenga cuidado de no apretar en exceso los tornillos, ya que podría dañar las aspas

4. Repita el mismo procedimiento para las demás aspas.



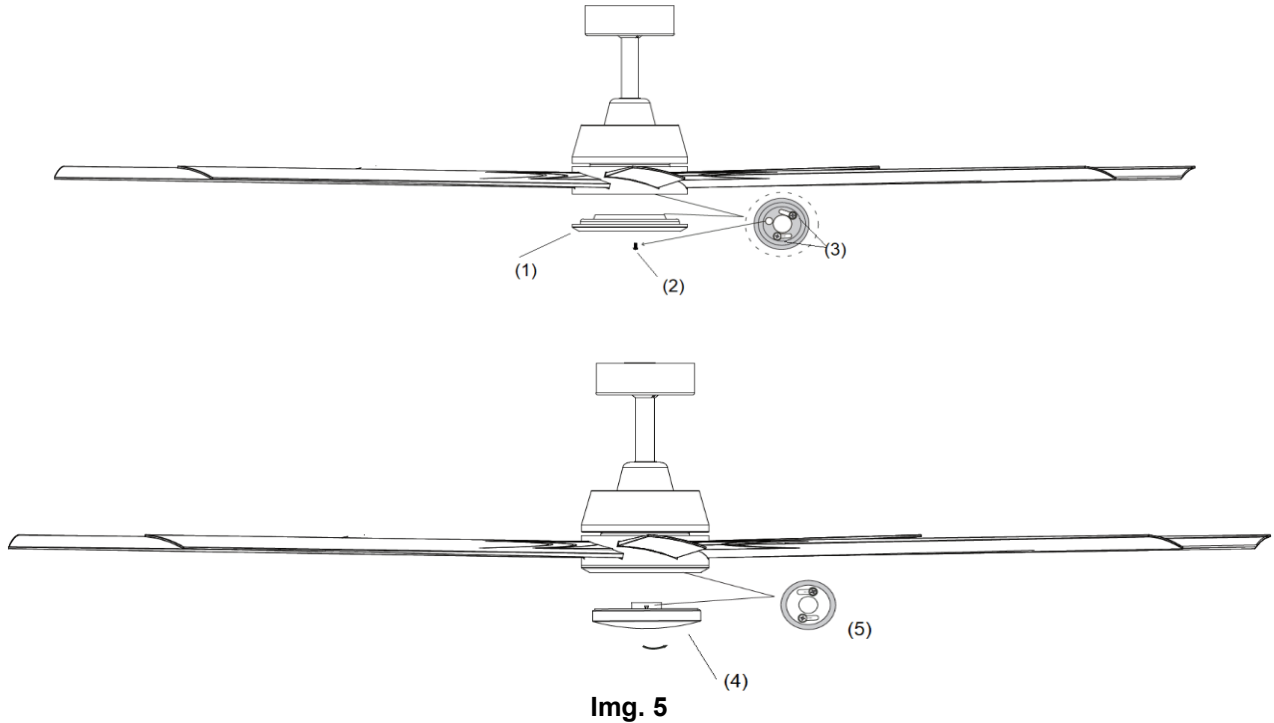
Img. 4

INSTALACIÓN DE LA LÁMPARA (Img. 5)

- **NOTA:** La lámpara debe ser instalada por un electricista acreditado.
- Alinee los dos tornillos de cabeza ranurada de la pieza del motor con las ranuras de llave del soporte del kit de iluminación (3).

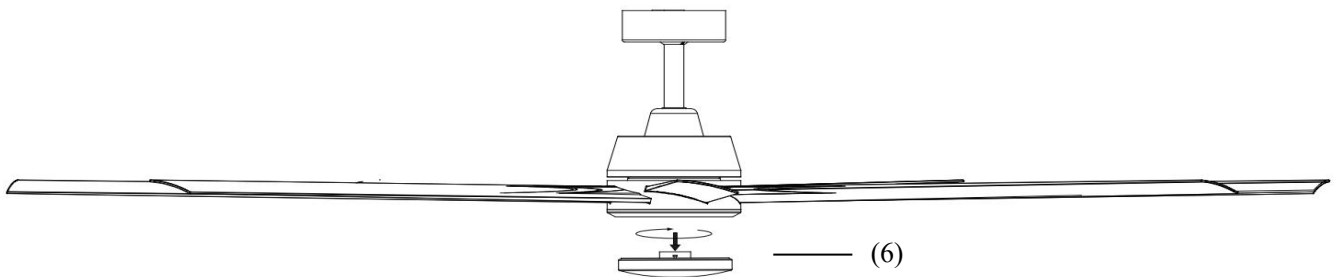


- Gire la lámpara en el sentido antihorario hasta que los tornillos de cabeza ranurada estén correctamente posicionados en los extremos de las ranuras.
- Apriete el tornillo (2) y los 2 tornillos de cabeza ranurada para fijar el soporte del kit de iluminación.
- Instale la lámpara (4) en el portalámparas GX53 (5). No exceda la potencia nominal máxima.

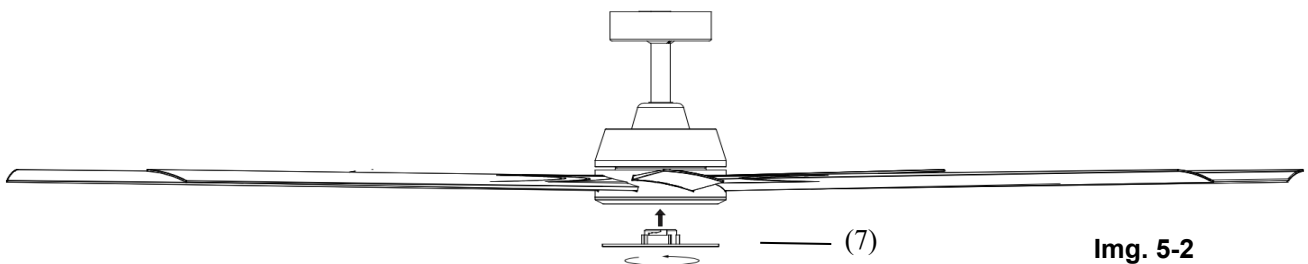


INSTALACIÓN de la placa de decoración sin luz (Img. 5 - 2)

- Retire la lámpara (6) del portalámparas GX53 (6).

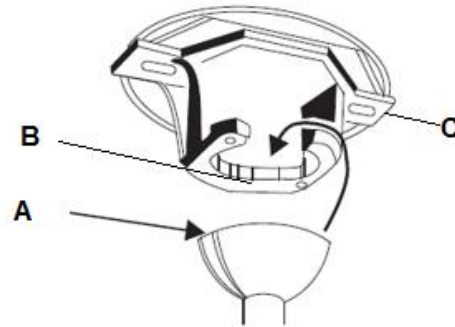


- Instale la placa decorativa sin luz (7) en el soporte del kit de iluminación.



CÓMO COLGAR EL VENTILADOR

Alce el conjunto del ventilador para colgarlo en el soporte de techo. Asegúrese de que la ranura de llave (A) de la bola de suspensión esté posicionada sobre la clavija de llave (B) del soporte de techo (C) para evitar la rotación del ventilador cuando esté funcionando. (Img. 6)



Img. 6

DIAGRAMA DEL CABLEADO ELÉCTRICO DEL VENTILADOR

ADVERTENCIA: POR SU SEGURIDAD, TODAS LAS CONEXIONES ELÉCTRICAS DEBERÁ REALIZARLAS UN ELECTRICISTA ACREDITADO.

NOTA: EL CABLEADO FIJO DEBERÁ INCORPORAR UN INTERRUPTOR DE DESCONEXIÓN OMNIPOLAR ADICIONAL.

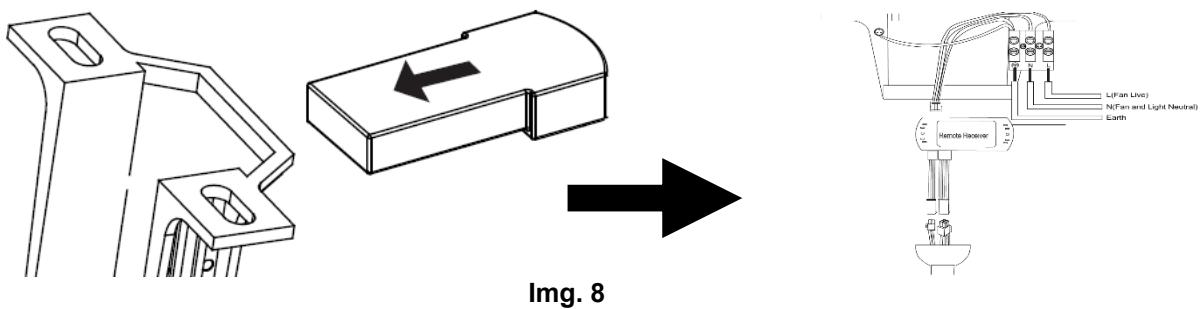
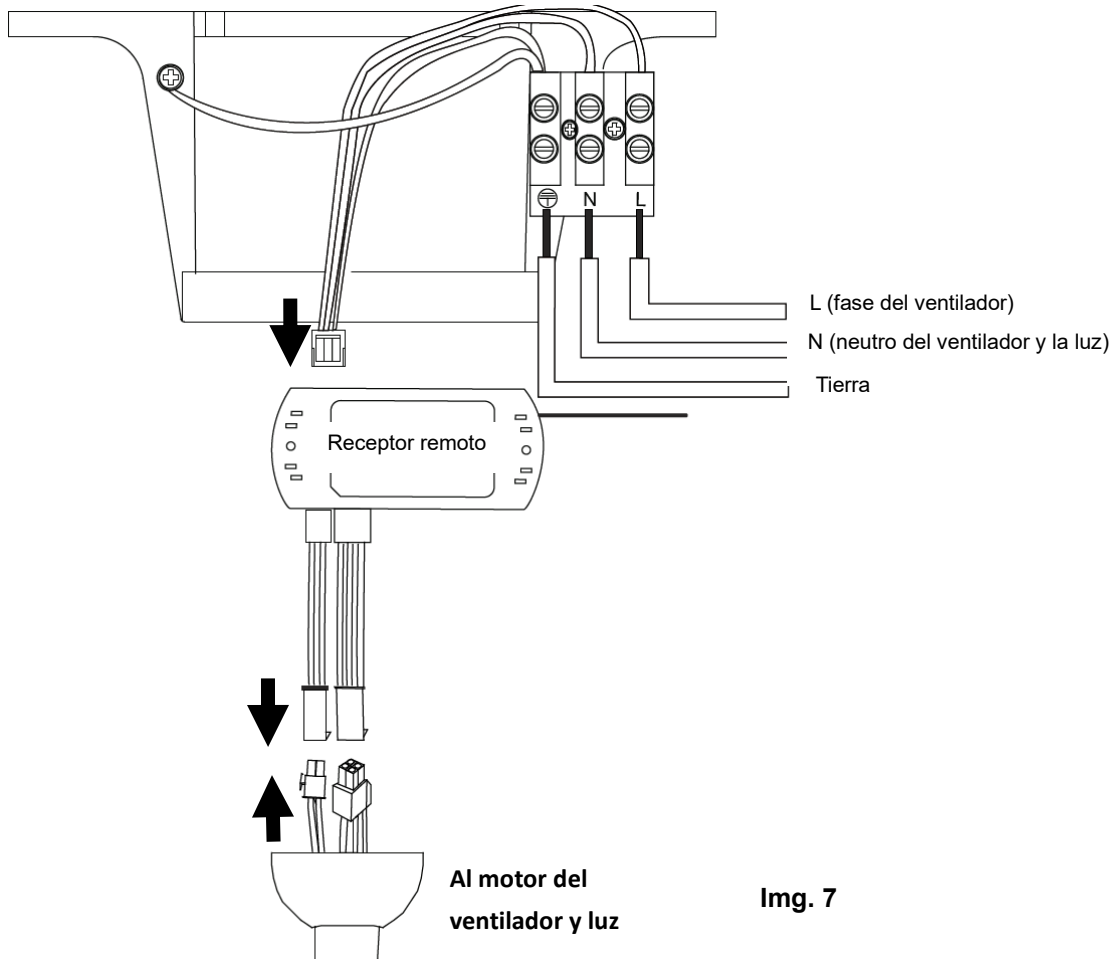
NOTA: CUANDO HAYA DOS O MÁS VENTILADORES DE TECHO DE CORRIENTE CONTINUA INSTALADOS EN UN MISMO LUGAR, SERÁ NECESARIO UN INTERRUPTOR DE AISLAMIENTO PARA CADA VENTILADOR DE TECHO. ESTO ES NECESARIO CUANDO SE programe el mando a distancia y el receptor para emparejarlos.

Nota: Si se usa una extensión de barra colgante, será necesario un cable de extensión para el kit de iluminación (art. 9 de la Fig. 1).

Consulte la Img. 8 para conectar los cables del ventilador.

- Conecte el cable de FASE a la "L" en la regleta de conexiones del soporte.
- Conecte el cable NEUTRO de la corriente a la "N" en la regleta de conexiones del soporte.
- Conecte el cable de TIERRA a "⏚" en la regleta de conexiones del soporte.
- Cuelgue el ventilador (consulte "Cómo colgar el ventilador" en la Img. 6 de la página 6).
- Conecte el conector del cable de suministro del soporte a la toma del controlador/receptor del motor CC.
- Conecte los conectores de la luz y del ventilador del controlador/receptor del motor CC a la toma del motor del ventilador y de la lámpara.
- Inserte con cuidado el receptor remoto por encima de la junta esférica e introdúzcalo en el espacio restante dentro del soporte de techo. Intente no dañar o aflojar los cables. (Img. 8).





This fan is suitable for indoor and alfresco areas where the fan is fully undercover with a minimum of 2 walls. This fan is not waterproof. When installed in an alfresco area, the ceiling fan must be positioned in a location protected from water, wind, dust and salt. Exposure to these elements will void the warranty. Mounting the fan in a situation where it is subject to water or moisture is dangerous.

CÓMO FINALIZAR LA INSTALACIÓN

INSTALACIÓN DEL CASQUETE (Img. 9)

1. Asegúrese de que los conductores de tierra estén asegurados y conectados correctamente llevando a cabo una prueba de continuidad de tierra desde la pieza trasera de metal accesible del ventilador hasta el terminal de tierra en la regleta de conexiones del soporte.
2. Afloje los 2 tornillos de la parte inferior del soporte.
3. Inserte el casquete hasta cubrir el soporte de techo y alinee los orificios de llave del casquete con los tornillos del soporte de techo. Gire el casquete hasta que llegue al tope de la sección más estrecha de los orificios de llave y asegúrelo apretando los dos tornillos. Evite dañar los cables eléctricos empalmados en los pasos anteriores.

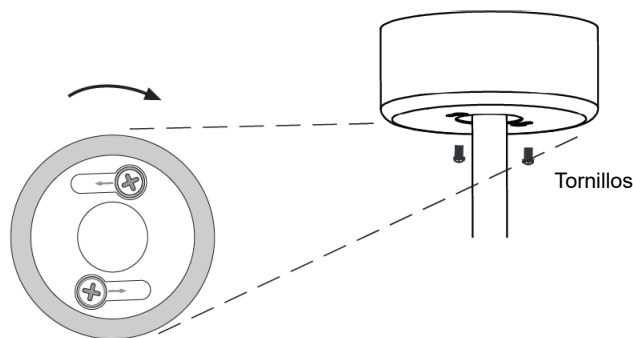
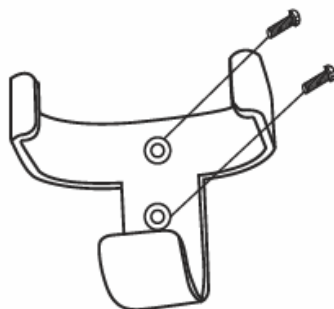


Fig. 9

INSTALACIÓN DEL PORTAMANDOS (Fig. 10)

1. Elija un lugar apropiado de una pared para fijar el portamandos con 2 tornillos. (Fig. 10a).
2. Deslice el mando a distancia al interior del soporte. (Img. 10b)



Img. 10a

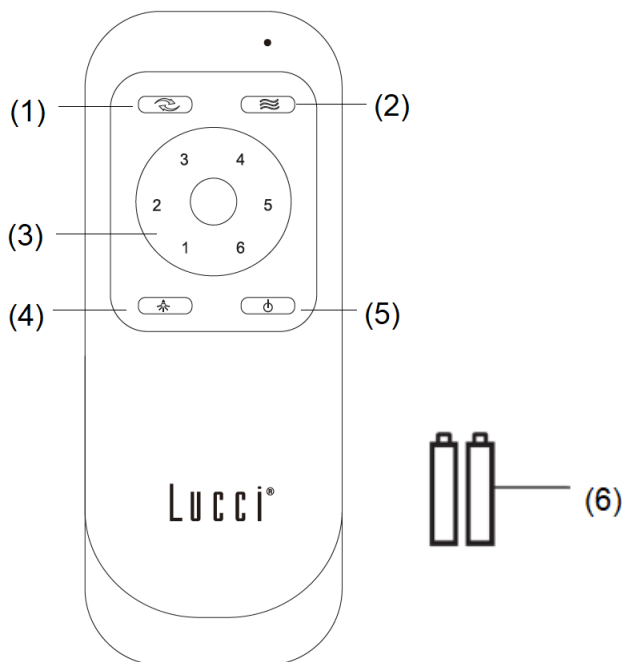


Img. 10b



CÓMO USAR SU VENTILADOR DE TECHO

MANDO A DISTANCIA (Img. 11)



- (1) Control inverso
- (2) Aire natural (la velocidad del ventilador cambiará automáticamente del 1 al 6 de manera cíclica)
- (3) Control de velocidad
- (4) Encender/apagar la lámpara
- (5) Encender/apagar el ventilador
- (6) 2 pilas AAA de 1,5 V (incluidas)

Img. 11

CONTROL DE LA FUNCIÓN DE ILUMINACIÓN (Img. 11)

La bombilla LED GX53 posee un circuito de atenuación de 3 niveles.

- Para empezar, encienda la lámpara LED al 100% de brillo - presione el botón de luz (4) una vez en el mando a distancia.
 - Presione el botón de luz para apagarla después vuelva a encenderla en un plazo de 3 segundos para atenuar la luz al 50% de brillo.
 - Presione el botón de luz para apagarla después vuelva a encenderla de nuevo en un plazo de 3 segundos para atenuar la luz al 20% de brillo.
- (Si no se completa el ciclo de encendido y apagado en un plazo de 3 segundos, la bombilla se restablecerá al 100% de brillo).


EMPAREJAMIENTO DEL MANDO A DISTANCIA Y EL RECEPTOR - CUANDO HAYA 1 VENTILADOR DE TECHO DE CC INSTALADO EN UN LUGAR

NOTA: Asegúrese de haber instalado un interruptor de desconexión unipolar en el cableado fijo para el ventilador.

NOTA: Asegúrese de que el receptor esté activado antes de emparejar el mando a distancia al receptor.

- Apague el ventilador mediante el interruptor de la pared.
- Instale las pilas en el mando a distancia. Asegúrese de que la pila esté colocada en el sentido correcto de la polaridad.
- Active la alimentación del receptor.



- Mantenga presionado el botón “” del mando a distancia durante 10 segundos dentro de los 30 segundos siguientes al encendido del receptor del ventilador de techo.
- Se escuchará un aviso sonoro desde el receptor para indicar que el emparejamiento se ha efectuado correctamente.
- Encienda el ventilador de techo y cambie su velocidad mediante el mando a distancia para comprobar el funcionamiento y el emparejamiento satisfactorio.


EMPAREJAMIENTO DEL MANDO A DISTANCIA Y EL RECEPTOR - CUANDO HAYA 2 O MÁS VENTILADORES DE TECHO DE CC INSTALADOS EN UN MISMO LUGAR

Cuando haya dos o más ventiladores próximos, tal vez desee emparejar el mando a distancia/receptor para cada ventilador de manera que el funcionamiento de un ventilador no afecte al de los demás.

NOTA: Asegúrese de haber instalado un interruptor de desconexión unipolar en el cableado residencial para cada ventilador.

NOTA: Asegúrese de que el receptor esté encendido (**ON**) antes de emparejar el mando a distancia con el receptor.

Emparejamiento del mando a distancia/receptor del ventilador de techo 1:

- Desconecte la alimentación de los receptores de ambos ventiladores 1 y 2.
- Instale las pilas en el mando a distancia. Asegúrese de que la pila esté colocada en el sentido correcto de la polaridad.
- Active la alimentación del receptor 1. Mantenga desactivada la alimentación del receptor 2. (Cada ventilador de techo deberá tener su propio interruptor de aislamiento, de modo que solamente esté encendido el ventilador de techo que necesite emparejarse con el transmisor).
- Mantenga presionado el botón “” del **transmisor 1** durante 10 segundos dentro de los 30 segundos siguientes de la activación de la alimentación al receptor del ventilador de techo 1.
- Se escuchará un aviso sonoro desde el receptor para indicar que el emparejamiento se ha efectuado correctamente.
- Encienda el ventilador de techo 1 y cambie su velocidad mediante el transmisor para comprobar el funcionamiento y el emparejamiento satisfactorio.

Emparejamiento del mando a distancia / receptor del ventilador de techo 2:

- Desconecte la alimentación de los receptores de ambos ventiladores 1 y 2.
- Instale las pilas en el mando a distancia. Asegúrese de que la pila esté colocada en el sentido correcto de la polaridad.
- Active la alimentación del receptor 2. Mantenga desactivada la alimentación del receptor 1. (Cada ventilador de techo deberá tener su propio interruptor de aislamiento, de modo que solamente esté encendido el ventilador de techo que necesite emparejarse con el transmisor).



- Mantenga presionado el botón “⏻” del **transmisor 2** durante 10 segundos dentro de los 30 segundos siguientes de la activación de la alimentación al receptor del ventilador de techo 2.
- Se escuchará un aviso sonoro desde el receptor para indicar que el emparejamiento se ha efectuado correctamente.
- Encienda el ventilador de techo 2 y cambie su velocidad mediante el transmisor para comprobar el funcionamiento y el emparejamiento satisfactorio.

NUEVO EMPAREJAMIENTO DEL RECEPTOR Y EL MANDO A DISTANCIA DEL VENTILADOR

Si perdiera el control del receptor y el mando a distancia después de la instalación o durante su uso, deberá emparejar de nuevo el receptor y el mando a distancia. A continuación se describen los síntomas de funcionamiento y el método para volver a emparejar el receptor y el mando a distancia del ventilador de techo de CC.

Problemas:

- Pérdida de control: el ventilador solo funciona a alta velocidad después de la instalación
- Pérdida de control - La función de cambio de sentido no funciona después de la instalación.
- Pérdida de control: el mando a distancia no se puede comunicar con el receptor

Solución:

- Apague la alimentación principal del ventilador de techo.
- Encienda la alimentación principal del ventilador de techo. Siga el mismo procedimiento que se describe en la sección ‘Emparejamiento del mando a distancia y el receptor’ para volver a emparejar su ventilador.
- Encienda y seleccione una velocidad diferente del ventilador de techo para comprobar el funcionamiento del ventilador.

DESPUÉS DE LA INSTALACIÓN

NOTA: Los ventiladores de techo tienden a moverse cuando están funcionando debido a que están montados sobre una arandela de goma. Si el ventilador estuviera montado rígidamente al techo, se podrían generar demasiadas vibraciones. Unos pocos centímetros de movimiento es bastante aceptable y NO indica que haya un problema.

PARA REDUCIR EL BAMBOLEO DEL VENTILADOR: Compruebe que todos los tornillos que fijan el soporte de techo del ventilador y la barra colgante estén bien apretados.

KIT DE COMPENSACIÓN: Se incluye un kit de compensación para equilibrar el ventilador de techo durante la instalación inicial. Consulte las instrucciones acerca de cómo usar el kit de compensación. El kit de compensación puede usarse para reequilibrar el ventilador si llegara a desequilibrarse. Después de la instalación, guarde el kit de compensación por si lo necesita en un futuro.



RUIDO:

En los momentos silenciosos (sobre todo por la noche), puede que en ocasiones escuche ruidos tenues. Leves fluctuaciones de la corriente y frecuencias de señales superpuestas en la corriente para el control del agua caliente durante horas no puntas pueden causar cambios en el ruido del motor del ventilador. Esto es algo normal. Permita un periodo de adaptación de 24 horas. Tras este periodo, la mayoría de los ruidos asociados con su nuevo ventilador deberían haber desaparecido.

La garantía del fabricante cubre fallos reales que puedan acaecer, NO así quejas menores como escuchar el ruido del motor – Todos los motores eléctricos generan cierto ruido.

CUIDADO Y LIMPIEZA

NOTA: Apague siempre el ventilador desde el cuadro eléctrico antes de llevar a cabo cualquier tarea de mantenimiento o limpieza.

- El único mantenimiento que requiere su ventilador de techo es una limpieza cada 6 meses. Utilice un cepillo blando o un paño que no deje pelusa para no rayar el acabado de pintura. Corte la corriente de la red cuando haga esto.
- No moje ni sumerja el ventilador de techo en el agua u otros líquidos. Esto podría dañar el motor o las aspas y dar pie a posibles descargas eléctricas.
- Asegúrese de que el ventilador no entre en contacto con disolventes orgánicos o detergentes.
- Para limpiar las aspas del ventilador, basta con pasar un paño humedecido SIN usar disolventes orgánicos ni detergentes.
- El motor tiene un rodamiento con lubricación permanente, por lo que no es necesario engrasarlo.

MEDIDAS DE SEGURIDAD CON LAS PILAS

- **ADVERTENCIA** – Mantenga las pilas nuevas y usadas fuera del alcance de los niños.
- **PRECAUCIÓN** – No ingerir la pila: riesgo de quemadura química.
- Utilice siempre 2 pilas tipo AAA con el mando a distancia del ventilador de techo.
- Asegúrese de que las pilas estén instaladas en el sentido correcto de la polaridad.
- Para evitar el funcionamiento accidental del ventilador de techo al instalar o sustituir las pilas, desconéctelo de la corriente.
- Retire las pilas del producto cuando no lo vaya a utilizar durante un largo periodo de tiempo.
- Las pilas deben retirarse del mando a distancia antes de desecharlo.
- Deseche las pilas agotadas inmediatamente y de forma segura (para que no puedan acabar en manos de los niños). Las pilas pueden seguir siendo peligrosas. Póngase en contacto su ayuntamiento para deshacerse de las pilas de una manera segura.
- Examine periódicamente el producto y asegúrese de que la tapa del compartimento de las pilas esté bien cerrada. Si el compartimento de las pilas no se cerrara bien, deje de usar el producto y guárdelo en un lugar fuera del alcance de los niños.
- Si sospecha que alguna pila ha podido ser ingerida o introducida en alguna parte del cuerpo, acuda al médico inmediatamente.



INFORMACIÓN TÉCNICA

Ventilador	Ventilador de 56" (142,24 cm) – Atlanta
Modelos de ventilador / SKU#	LD-56" ATL / SKU# 213182, 213183
Tensión nominal	220-240 V~ 50 Hz
Potencia nominal (motor)	42W
Especificaciones de la lámpara LED (Incluida con el ventilador)	Tipo: GX53, Potencia: Máx.12W; con atenuación: Interruptor de 3 etapas; CCT: 3000K; Brillo: 100% - 1100lm, 50% - 550lm, 20% - 220lm; Lámpara LED Gx53 SKU# 121354
Pilas para el mando a distancia	2 pilas AAA (incluidas)
Peso	6,8 kg
Dimensiones del casquete	Altura: 51 mm Diámetro: 140 mm

INFORMACIÓN SOBRE LA GARANTÍA

EN EUROPA – Si es un cliente europeo, contacte con la tienda distribuidora donde adquirió el ventilador para obtener los servicios de garantía.





GRAZIE PER L'ACQUISTO

Grazie per aver acquistato questo ventilatore a soffitto a risparmio energetico di ultima generazione. Questo ventilatore funziona a corrente continua (CC), che offre un'elevata efficienza energetica pur mantenendo un intenso movimento dell'aria e un funzionamento silenzioso.

Risparmio energetico – Il motore a corrente continua è la più recente tecnologia nella progettazione di ventilatori. Il motore altamente efficiente risparmia fino al 65% di energia in più rispetto ai ventilatori a soffitto con motori CA tradizionali.

Funzionamento silenzioso: questo motore per ventilatori CC è programmato con una corrente stabilizzata, la quale riduce in modo efficiente il rumore del motore.


Bassa temperatura di funzionamento – L'alimentazione a corrente continua viene gestita efficacemente, abbassando la temperatura di funzionamento del motore a meno di 50°C. Ciò rende il motore meno caldo rispetto a quelli dei ventilatori CA standard, e ne aumenta la durata di vita.

Telecomando a 6 velocità – Mentre i tradizionali ventilatori a soffitto CA sono generalmente dotati di sole 3 velocità, questo ventilatore CC include un telecomando a 6 velocità per soddisfare tutte le esigenze individuali.

PRECAUZIONI DI SICUREZZA

1. In Europa: questo apparecchio può essere utilizzato da persone (compresi i bambini di età superiore a 8 anni) con ridotte capacità fisiche, sensoriali o mentali oppure prive di esperienza o conoscenza del prodotto, purché supervisionate o istruite sull'uso sicuro dell'apparecchio e consapevoli di tutti i rischi correlati. Le operazioni di pulizia e manutenzione ordinaria non devono essere effettuate da bambini non supervisionati.
2. Sorvegliare i bambini per accertarsi che non giochino con l'apparecchio.
3. L'impianto elettrico deve essere protetto da un interruttore differenziale, conformemente alle normative elettriche locali.



4.  Non gettare gli apparecchi elettrici insieme ai rifiuti domestici, ma smaltirli presso gli appositi punti di raccolta. Contattare le autorità locali per informazioni sui sistemi di raccolta disponibili. Se gli apparecchi elettrici vengono gettati nelle discariche, le sostanze pericolose che contengono possono infiltrarsi nella falda freatica ed entrare nella catena alimentare, con effetti nocivi su salute e benessere.
5. La struttura su cui verrà installato il ventilatore deve essere in grado di sostenere un peso di 28 kg.
6. Il ventilatore deve essere installato in modo tale che le pale siano ad almeno 2,3 metri di altezza dal pavimento in Europa o 2,1 metri in Australia.
7. Questo ventilatore è adatto ad aree interne e all'aperto, purché sia completamente protetto da almeno 2 pareti. Questo ventilatore non è impermeabile. Se collocato in aree all'aperto, il ventilatore deve essere installato in una posizione protetta da acqua, vento, polvere e sale. L'esposizione a tali elementi comporta l'annullamento della garanzia. L'installazione del ventilatore in una posizione esposta ad acqua o umidità è pericolosa e può aumentare il rischio di danni, lesioni o scossa elettrica.



8. Tutti i collegamenti elettrici devono essere effettuati da un elettricista professionista.
9. **AVVERTENZA!** in caso di oscillazioni anomale, interrompere immediatamente l'uso del ventilatore a soffitto e contattare il costruttore, un suo centro di assistenza o un tecnico qualificato.
10. La sostituzione delle parti del sistema di sospensione di sicurezza deve essere effettuata dal costruttore, da un suo centro di assistenza o da un tecnico qualificato.
11. I dispositivi di fissaggio del ventilatore al soffitto, ad esempio i ganci, devono essere in grado di sostenere 4 volte il peso del ventilatore; l'installazione del sistema di sospensione deve essere effettuata dal costruttore, da un suo centro di assistenza o da un tecnico qualificato.

ELENCO DELLE PARTI

- Disimballare il ventilatore con attenzione. Estrarre tutti i componenti e gli accessori.
- Disporre il contenuto su una superficie piana e, prima dell'assemblaggio, assicurarsi che siano presenti tutti i componenti. In caso di componenti mancanti, riportare il prodotto presso il rivenditore affinché venga ispezionato o sostituito.
- Verificare che il ventilatore non abbia subito danni durante il trasporto. Non usare/installare il prodotto se presenta danni di qualsiasi tipo. Riportare il prodotto completo presso il rivenditore affinché venga ispezionato, riparato o sostituito.
- Esaminare tutti i componenti e verificare che corrispondano a quelli elencati di seguito e illustrati in Fig. 1.

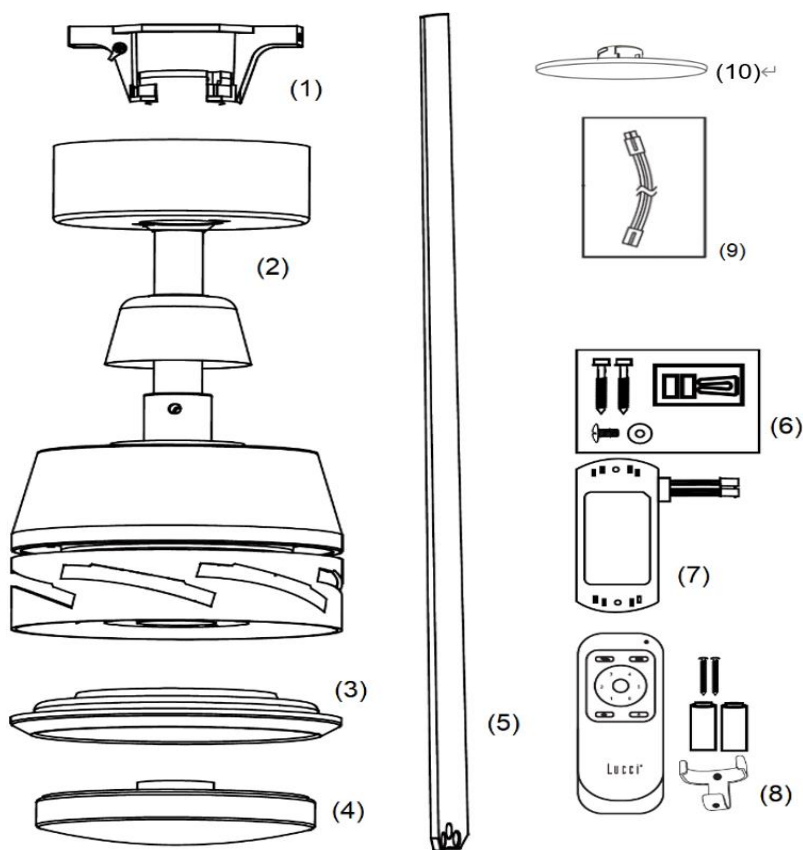


Fig. 1



1	Staffa di supporto x1	6	Viti di installazione e kit di bilanciamento x 1 set
2	Gruppo ventilatore x1	7	Ricevitore del telecomando x 1
3	Staffa per kit luce x 1	8	Telecomando, batteria, supporto x 1 set
4	Lampada GX53 x 1	9	Prolunga per kit luce x 1
5	Pale x 7	10	Piastra decorativa senza luce

INSTALLAZIONE DEL VENTILATORE

UTENSILI NECESSARI

- Cacciavite a croce/a testa piatta
- Pinza
- Chiave regolabile
- Scala
- Pinza spelafili
- Cavi elettrici e di alimentazione conformi alle normative di cablaggio locali e nazionali

INSTALLAZIONE DELLA STAFFA DI SUPPORTO

- Il ventilatore a soffitto deve essere installato in modo tale che le estremità delle pale siano ad almeno 300 mm di distanza da pareti o oggetti adiacenti.
- Fissare la staffa di supporto a una struttura o una trave del soffitto in grado di sostenere un carico di almeno 30 kg con le due viti lunghe fornite. Assicurarsi che almeno 30 mm della vite siano inseriti nella struttura (Fig. 2).

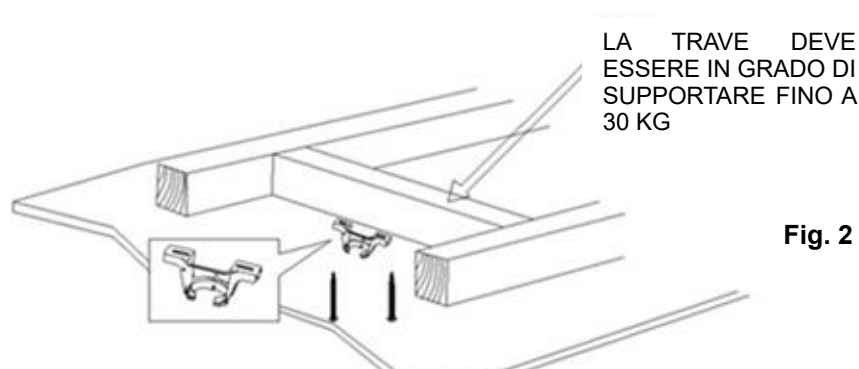


Fig. 2

NOTA: L'IMMAGINE È A SOLO SCOPO ILLUSTRATIVO E NON RAPPRESENTA LA STAFFA REALE.

NOTA: le viti di supporto fornite sono destinate esclusivamente a strutture in legno. Per strutture diverse dal legno, è OBBLIGATORIO usare viti di tipo appropriato. Assicurarsi che le viti utilizzate siano adatte alla superficie di installazione e all'ambiente circostante.



INSTALLAZIONE ANGOLATA

Questo sistema di montaggio consente di installare il ventilatore al soffitto con un angolo massimo di 9 gradi (Fig. 3).

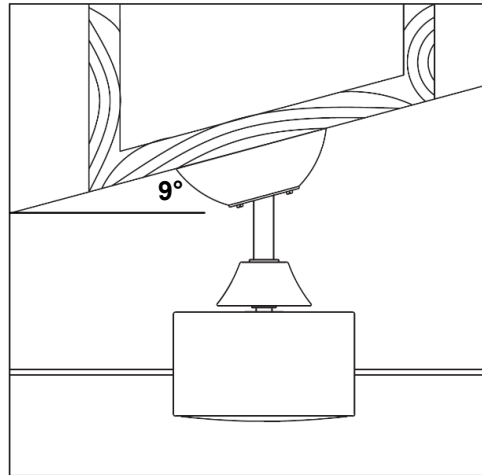


Fig. 3

Installazione delle pale (Fig. 4)

1. Inserire la pala nella fessura dell'elemento rotante del gruppo motore.
2. Allineare e agganciare i fori della pala sul relativo supporto.
3. Fissare la pala al gruppo motore serrando le 3 viti e le rondelle della pala.
Assicurarsi che tutte le viti siano serrate in modo omogeneo per ridurre la possibilità di deformazioni o sbilanciamenti.
Fare attenzione a non serrarle eccessivamente per evitare di danneggiare le pale.
4. Ripetere l'operazione con le altre pale.

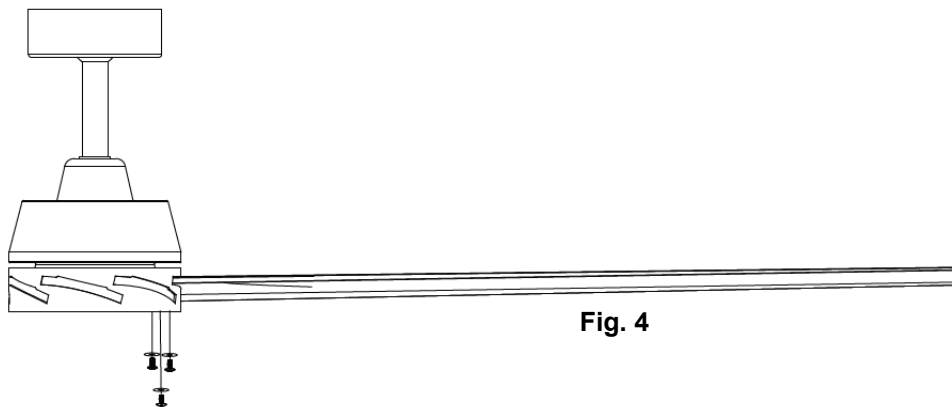
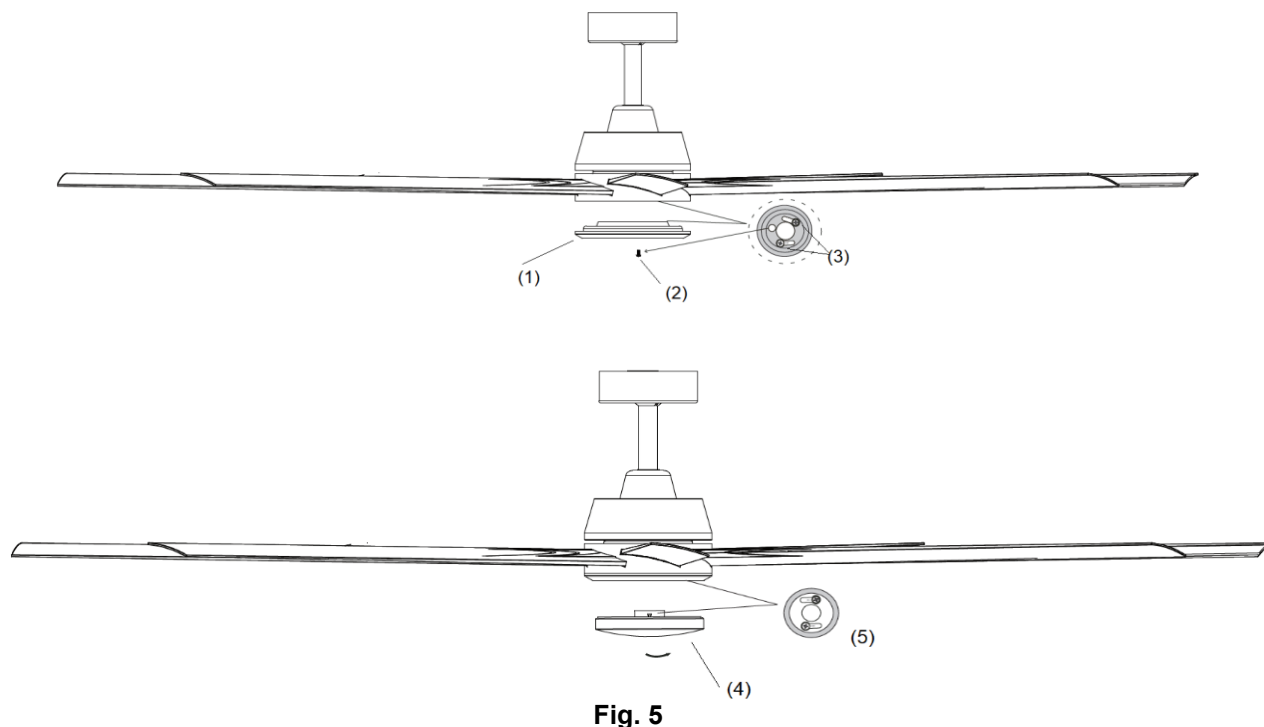


Fig. 4

INSTALLAZIONE DEL KIT LUCE (Fig. 5)

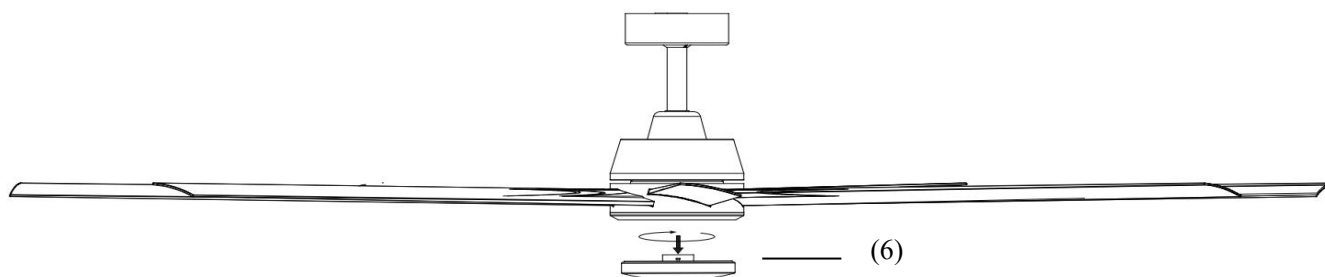
- **NOTA:** il kit luce deve essere installato da un elettricista professionista.
- Allineare le due viti del motore alle fessure sulla staffa del kit luce (3)
- Ruotare la staffa del kit luce in senso antiorario finché le viti non sono fissate saldamente all'estremità delle fessure.
- Serrare la vite (2) e le altre 2 viti per fissare la staffa del kit luce.
- Installare la lampada (4) sul porta-lampada GX53 (5). Non superare la potenza in ingresso massima



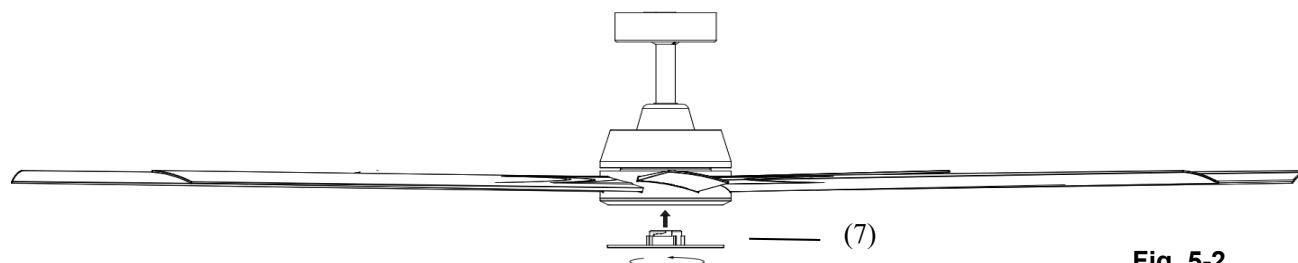


INSTALLAZIONE della piastra decorativa senza luce (Fig. 5 - 2)

- Rimuovere la lampada (6) dal porta-lampada GX53.



- Installare la piastra decorativa senza luce (7) sulla staffa del kit luce.



FISSAGGIO DEL VENTILATORE

Avvicinare il ventilatore alla staffa di supporto. Assicurarsi che la fessura (A) del giunto sferico sia posizionata sul perno (B) della staffa di supporto (C), in modo tale da evitare che il ventilatore ruoti quando è in funzione (Fig. 6).

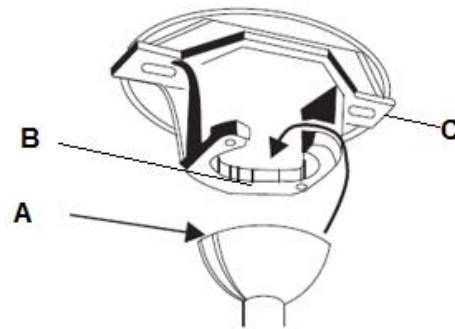


Fig. 6

SCHEMA DI CABLAGGIO


AVVERENZA: PER LA PROPRIA SICUREZZA, TUTTI I COLLEGAMENTI ELETTRICI DEVONO ESSERE EFFETTUATI DA UN ELETTRICISTA PROFESSIONISTA.

NOTA: L'IMPIANTO ELETTRICO DEVE ESSERE PROTETTO DA UN INTERRUTTORE DIFFERENZIALE.

NOTA: SE SONO PRESENTI DUE O PIÙ VENTILATORI A SOFFITTO CC NELLO STESSO LUOGO, È NECESSARIO DOTARE CIASCUN VENTILATORE DI UN INTERRUTTORE DI ISOLAMENTO PER GARANTIRE UN CORRETTO ABBINAMENTO DEL TELECOMANDO CON IL RICEVITORE.

Nota: se si utilizza l'asta di prolunga, è necessaria la prolunga del kit luce (articolo 9, Fig. 1).

Fare riferimento alla Fig. 8 per il collegamento elettrico del ventilatore.

- Collegare il cavo di FASE al terminale "L" della morsettiera sulla staffa di supporto.
- Collegare il cavo di NEUTRO al terminale "N" della morsettiera sulla staffa di supporto.
- Collegare il cavo di TERRA al terminale  della morsettiera sulla staffa di supporto.
- Fissare il ventilatore alla staffa di supporto (consultare la sezione "Fissaggio del ventilatore" e la Fig. 6 a pagina 6).
- Collegare il cavo di alimentazione dalla staffa di supporto all'ingresso del driver motore/ricevitore.
- Collegare il connettore della luce e il connettore del ventilatore dal driver motore/ricevitore CC ai cavi di ingresso del motore del ventilatore e del kit luce.
- Inserire con attenzione il ricevitore del telecomando sopra il giunto sferico nello spazio rimanente all'interno della staffa di supporto. Fare attenzione a non danneggiare o allentare alcun cavo. (Fig. 8).



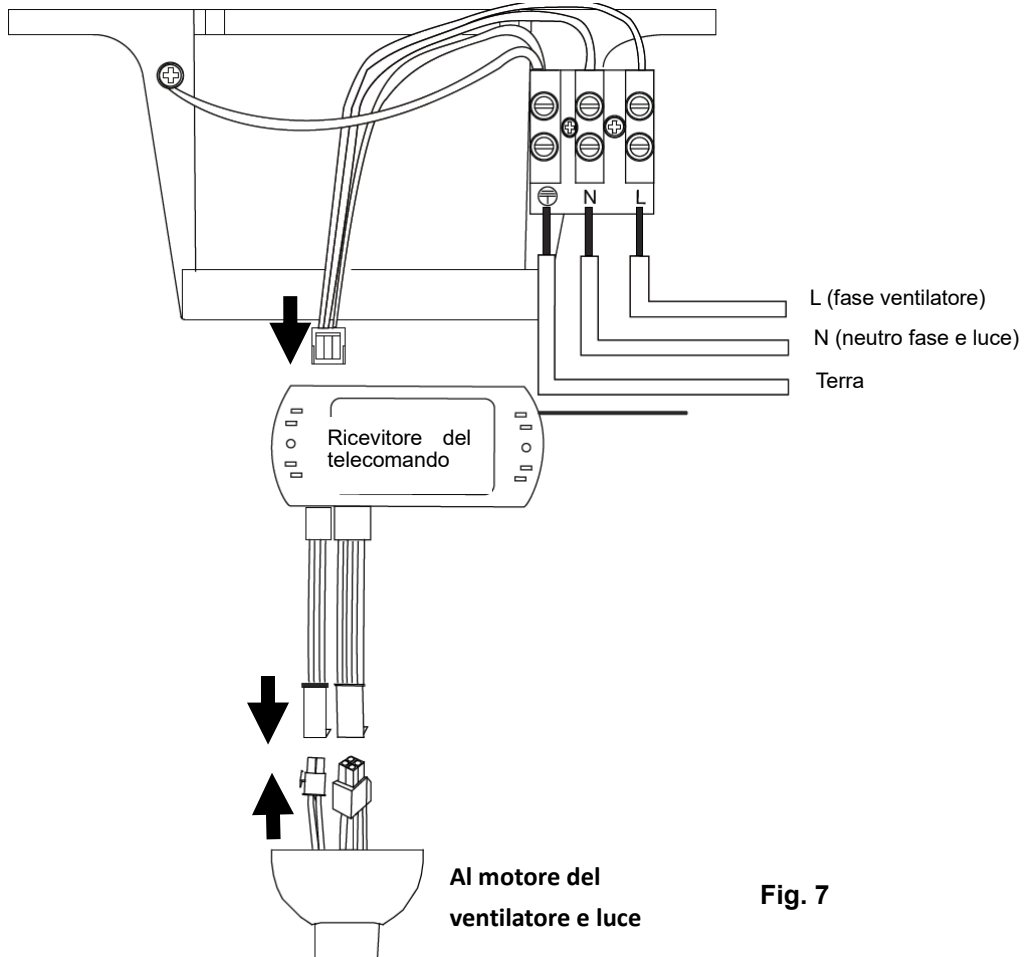


Fig. 7

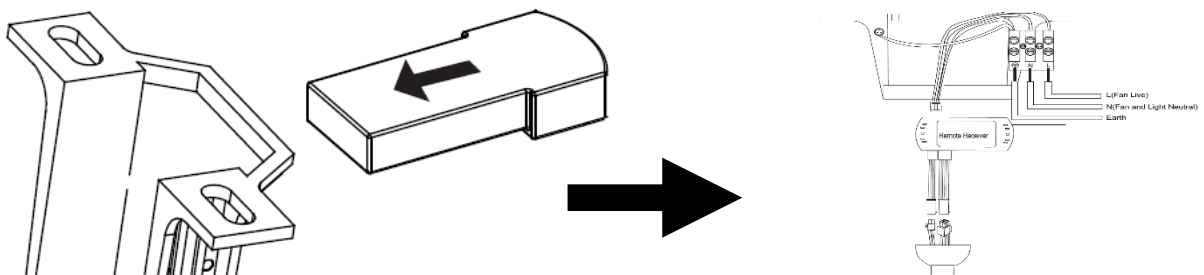


Fig. 8



This fan is suitable for indoor and alfresco areas where the fan is fully undercover with a minimum of 2 walls. This fan is not waterproof. When installed in an alfresco area, the ceiling fan must be positioned in a location protected from water, wind, dust and salt. Exposure to these elements will void the warranty. Mounting the fan in a situation where it is subject to water or moisture is dangerous.

FINE DELL'INSTALLAZIONE

INSTALLAZIONE DELLA CALOTTA (Fig. 9)

1. Assicurarsi che il cavo di terra sia fissato saldamente e in modo corretto effettuando un test di continuità dal corpo metallico accessibile del ventilatore verso il terminale di terra sulla morsettiera nella staffa di supporto.
2. Allentare le 2 viti nella parte inferiore del supporto.
3. Fare scorrere la calotta sulla staffa di supporto e allineare le fessure sulla calotta con le viti sulla staffa di supporto. Ruotare la calotta finché non si blocca in posizione con la sezione stretta dei fori e fissarla serrando le due viti. Fare attenzione a non danneggiare il cablaggio realizzato in precedenza.

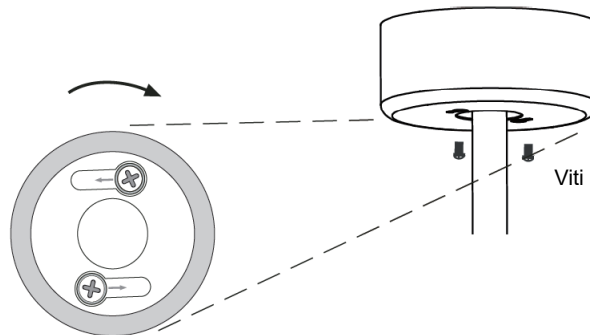


Fig. 9

INSTALLAZIONE DEL SUPPORTO PER TELECOMANDO (Fig. 10)

1. Fissare il supporto per telecomando a una parete adatta con le 2 viti (Fig. 10a).
2. Fare scorrere il telecomando all'interno del supporto (Fig. 10b).

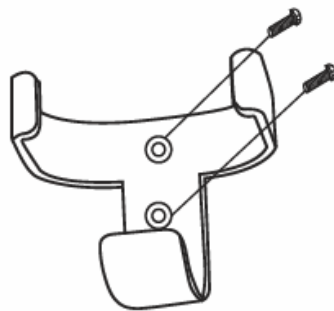


Fig. 10a

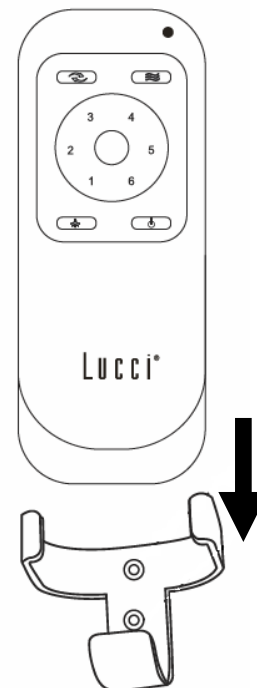
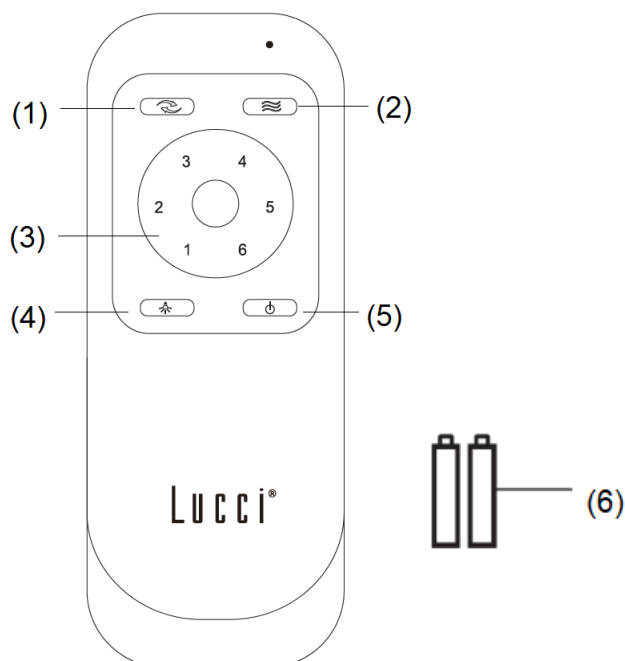


Fig. 10b

UTILIZZO DEL VENTILATORE

TELECOMANDO (Fig. 11)



- (1) Inversione della direzione
- (2) Brezza naturale (la velocità varierà automaticamente dal livello 1 al livello 6)
- (3) Controllo della velocità
- (4) Accensione/spegnimento della luce
- (5) Accensione/spegnimento del ventilatore
- (6) 2 batterie AAA da 1,5 V (incluse)

Fig. 11

CONTROLLO DELLA FUNZIONE LUCE (Fig. 11)


La lampada a LED GX53 dispone di un circuito varialuce a 3 fasi.

- Inizialmente, accendere la lampada a LED con il 100% di luminosità – premere una volta il pulsante Luce (4) sul telecomando.
- Premere il pulsante Luce per spegnere e poi riaccendere entro 3 secondi per ridurre al 50% la luminosità.
- Premere il pulsante Luce per spegnere e poi riaccendere entro 3 secondi per ridurre al 20% la luminosità. (Se l'accensione/spegnimento non viene eseguita entro 3 secondi, la lampada ritorna a una luminosità del 100%)

ABBINAMENTO DEL TELECOMANDO AL RICEVITORE – SE È PRESENTE UN SOLO VENTILATORE A SOFFITTO

NOTA: assicurarsi che l'impianto elettrico che alimenta il ventilatore sia protetto da un interruttore differenziale unipolare.

NOTA: assicurarsi che il ricevitore sia acceso prima di iniziare la procedura di abbinamento.

- Disattivare l'alimentazione del ventilatore.
- Inserire le batterie nel telecomando. Assicurarsi che la polarità della batteria sia corretta.
- Attivare l'alimentazione del ricevitore.
- Tenere premuto il pulsante “” sul telecomando per 10 secondi entro 30 secondi dall'accensione del ricevitore del ventilatore.
- Il ricevitore emetterà un segnale acustico, a indicare che l'abbinamento è avvenuto correttamente.



- Accendere il ventilatore e modificare la velocità usando il telecomando per verificare che l'abbinamento sia avvenuto correttamente.


ABBINAMENTO DEL TELECOMANDO AL RICEVITORE – SE SONO PRESENTI DUE O PIÙ VENTILATORI A SOFFITTO

Se due o più ventilatori a soffitto sono installati in prossimità, il telecomando e il ricevitore di ciascun ventilatore devono essere abbinati individualmente, affinché il funzionamento di un ventilatore non interferisca con l'altro.


NOTA: assicurarsi che l'impianto elettrico che alimenta ciascun ventilatore sia protetto da un interruttore differenziale unipolare.

NOTA: assicurarsi che il ricevitore sia **acceso** prima di iniziare la procedura di abbinamento.

Abbinamento tra telecomando/ricevitore del ventilatore 1

- Disattivare l'alimentazione di tutti i ventilatori.
- Inserire le batterie nel telecomando. Assicurarsi che la polarità della batteria sia corretta.
- Attivare l'alimentazione del ricevitore 1. Mantenere disattivata l'alimentazione del ricevitore 2. (Ogni ventilatore deve essere dotato del proprio interruttore di isolamento, affinché sia acceso esclusivamente il ventilatore da abbinare al telecomando).
- Tenere premuto il pulsante “” sul **trasmettitore 1** per 10 secondi entro 30 secondi dall'accensione del ricevitore del ventilatore 1.
- Il ricevitore emetterà un segnale acustico, a indicare che l'abbinamento è avvenuto correttamente.
- Accendere il ventilatore 1 e modificare la velocità usando il trasmettitore per verificare che l'abbinamento sia avvenuto correttamente.

Abbinamento tra telecomando/ricevitore del ventilatore 2

- Disattivare l'alimentazione di tutti i ventilatori.
- Inserire le batterie nel telecomando. Assicurarsi che la polarità della batteria sia corretta.
- Attivare l'alimentazione del ricevitore 2. Mantenere disattivata l'alimentazione del ricevitore 1. (Ogni ventilatore deve essere dotato del proprio interruttore di isolamento, affinché sia acceso esclusivamente il ventilatore da abbinare al telecomando).
- Tenere premuto il pulsante “” sul **trasmettitore 2** per 10 secondi entro 30 secondi dall'accensione del ricevitore del ventilatore 2.
- Il ricevitore emetterà un segnale acustico, a indicare che l'abbinamento è avvenuto correttamente.
- Accendere il ventilatore 2 e modificare la velocità usando il trasmettitore per verificare che l'abbinamento sia avvenuto correttamente.



RIPRISTINO DELL'ABBINAMENTO TRA IL RICEVITORE E IL TELECOMANDO DEL VENTILATORE

Qualora si verifichi la perdita di controllo tra il telecomando e il ricevitore dopo l'installazione o durante l'uso, l'abbinamento può essere ripristinato. Di seguito, sono indicati i problemi e i metodi per ripristinare l'abbinamento tra il telecomando e il ricevitore del ventilatore a soffitto CC.

Problema:

- Perdita di controllo: il ventilatore funzione solo ad alta velocità dopo l'installazione
- Perdita di controllo: non è possibile attivare la funzione di inversione della rotazione dopo l'installazione.
- Perdita di controllo: il telecomando non riesce a comunicare con il ricevitore

Soluzione:

- Spegnerne l'alimentazione principale del ventilatore a soffitto.
- Accendere l'alimentazione principale del ventilatore a soffitto. Seguire la procedura descritta alla sezione "Abbinamento del telecomando al ricevitore" per risolvere il problema.
- Accendere il ventilatore e modificare la velocità per verificare che funzioni correttamente.

DOPO L'INSTALLAZIONE

NOTA: i ventilatori a soffitto tendono a muoversi durante il funzionamento perché sono fissati a una rondella in gomma. Se il ventilatore è fissato rigidamente al soffitto vibrerà in modo eccessivo. Un movimento di pochi centimetri è normale e NON è sintomo di alcun malfunzionamento.

PER RIDURRE LE VIBRAZIONI DEL VENTILATORE: controllare che le tutte le viti che fissano la staffa di supporto e l'asta siano avvitate saldamente.

KIT DI BILANCIAMENTO: il kit di bilanciamento incluso serve per bilanciare il ventilatore a soffitto durante l'installazione iniziale. Consultare le istruzioni per l'uso del kit di bilanciamento. Il kit di bilanciamento può essere usato per bilanciare nuovamente il ventilatore a soffitto in futuro. Conservare il kit di bilanciamento dopo l'installazione per uso futuro.

RUMOROSITÀ

Quando l'ambiente è silenzioso (in particolare durante le ore notturne), il ventilatore potrebbe produrre occasionalmente dei leggeri rumori. Leggere fluttuazioni dell'alimentazione elettrica e segnali elettrici di frequenza sovrapposti per il controllo dell'acqua calda nelle fasce orarie ridotte possono causare variazioni nel rumore del motore del ventilatore. È un fenomeno normale. La maggior parte dei rumori associati a un nuovo ventilatore scomparirà entro un periodo di assestamento di 24 ore.

La garanzia del produttore copre difetti reali e NON disturbi minori come il rumore del motore in funzione; tutti i motori elettrici producono rumore in una certa misura.

PULIZIA E MANUTENZIONE

NOTA: DISATTIVARE sempre l'alimentazione elettrica prima di effettuare le operazioni di pulizia e manutenzione sul ventilatore.

- La pulizia periodica del ventilatore ogni 6 mesi è l'unica operazione di manutenzione necessaria. Utilizzare una spazzola morbida o un panno privo di pelucchi per evitare di graffiare la finitura. Disattivare



l'alimentazione elettrica prima della pulizia.

- Non immergere il ventilatore in acqua o altri liquidi per evitare danni al motore o alle pale e il rischio di scossa elettrica.
- Assicurarsi che il ventilatore non entri a contatto con detersivi o solventi organici.
- Per pulire le pale del ventilatore, usare esclusivamente un panno pulito e umido **SENZA** detersivi o solventi organici.
- Il motore contiene un cuscinetto permanentemente lubrificato, quindi non è necessario aggiungere lubrificante.

AVVERTENZE DI SICUREZZA RELATIVE ALLE BATTERIE

- **AVVERTENZA!** Conservare le batterie nuove e scariche fuori dalla portata dei bambini.
- **ATTENZIONE** – Non ingerire la batteria, rischio di ustioni chimiche.
- Utilizzare esclusivamente 2 batterie AAA per alimentare il telecomando di questo ventilatore.
- Inserire le batterie rispettando la corretta polarità.
- Per evitare l'attivazione involontaria del ventilatore durante l'inserimento o la sostituzione delle batterie, il ventilatore deve essere scollegato dalla rete elettrica.
- Rimuovere le batterie dal prodotto in previsione di un lungo periodo di inutilizzo.
- Rimuovere le batterie dal telecomando prima di smaltirlo.
- Smaltire le batterie scariche immediatamente e in modo sicuro (affinché non possano essere usate dai bambini). Le batterie scariche possono essere pericolose. Contattare le autorità locali per informazioni sullo smaltimento sicuro delle batterie.
- Ispezionare regolarmente il prodotto e assicurarsi che il coperchio del vano batterie sia chiuso saldamente. Se il vano batterie non si chiude saldamente, non usare il prodotto e tenerlo fuori dalla portata dei bambini.
- Se si teme che le batterie siano state ingerite o siano penetrate all'interno del corpo, contattare immediatamente un medico.

SPECIFICHE TECNICHE

Ventilatore	Ventilatore da 56" – Atlanta
Modello di ventilatore / SKU#	LD-56" ATL / SKU# 213182, 213183
Tensione nominale	220-240 V~ 50 Hz
Potenza nominale (motore)	42 W
Specifiche tecniche della lampada LED (inclusa con il ventilatore)	Tipo: GX53, Alimentazione: 12 W max.; Tipo di varialuce: 3 fasi commutato; CCT: 3000 K; Luminosità: 100% - 1100 lm, 50% - 550 lm, 20% - 220 lm; Lampada LED Gx53 SKU# 121354
Batteria del telecomando	2 batterie AAA (incluse)
Peso	6,8 kg
Dimensioni della calotta	Altezza: 51 mm Diametro: 140 mm

INFORMAZIONI SULLA GARANZIA

IN EUROPA – Gli acquirenti europei possono contattare il punto vendita per eventuali richieste di intervento in garanzia.





BEDANKT VOOR UW AANKOOP

Bedankt voor de aankoop van de nieuwste energiebesparende plafondventilator. Deze ventilator werkt op gelijkstroom wat het voordeel heeft dat het apparaat bijzonder energiezuinig is met behoud van een hoog luchtvolume en een geruisloze werking.

Energiezuinig - De DC-motor is de nieuwste technologie op het gebied van ventilatorontwerp. De zeer efficiënte motor bespaart tot 65% energie in vergelijking met plafondventilatoren met traditionele wisselstroommotoren.

Stille werking - Deze DC-ventilatormotor werkt op een gestabiliseerde stroom die het motorgeluid efficiënt vermindert.


Lage bedrijfstemperatuur - De gelijkstroomvoeding zorgt ervoor dat de bedrijfstemperatuur van de motor niet hoger wordt dan 50°C. Dit resulteert in een veel koelere motor dan een standaard wisselstroomventilator en verhoogt bovendien de levensduur van de motor.

Afstandsbediening met 6 snelheden - Gewone AC-plafondventilators worden gewoonlijk geleverd met slechts 3 snelheden. Deze DC-ventilator heeft 6 snelheden en een afstandsbediening voor een grotere keuze aan comfort.

VEILIGHEIDSMATREGELEN

1. In Europa: Dit apparaat kan worden gebruikt door kinderen vanaf 8 jaar en personen met verminderde fysieke, zintuiglijke of mentale vermogens of een gebrek aan ervaring en kennis, indien zij onder toezicht staan of instructies hebben gekregen over het veilige gebruik van het apparaat en als zij de gevaren ervan begrijpen. Reiniging en onderhoud mag zonder toezicht niet door kinderen worden uitgevoerd.
2. Kinderen moeten onder toezicht staan om er zeker van te zijn dat ze niet met het apparaat spelen.
3. Zorg dat de ventilator wordt aangesloten op een schakelaar waarbij alle polen worden onderbroken en volg de plaatselijke bedradingsvoorschriften.



4.  Gooi elektrische apparaten niet weg als ongesorteerd huishoudelijk afval. Maak gebruik van aparte inzamelingsfaciliteiten voor elektrische apparatuur. Neem contact op met uw gemeente voor informatie over de beschikbare inzamelingsystemen. Als elektrische apparaten op stortplaatsen terechtkomen, kunnen gevaarlijke stoffen in het grondwater lekken en in de voedselketen terechtkomen, wat schadelijk is voor uw gezondheid en welzijn.
5. De constructie waarop de ventilator wordt gemonteerd moet een gewicht van 28 kg kunnen dragen.
6. De ventilator moet zo worden gemonteerd dat de bladen zich minstens 2,3 m boven de vloer (Europa) of minstens 2,1 m boven de vloer (Australië) bevinden.
7. Deze ventilator is geschikt voor binnen- en buitenruimtes waar de ventilator niet blootgesteld is aan regen en vocht en in een ruimte met minimaal 2 wanden. Deze ventilator is niet waterdicht. Wanneer deze plafondventilator buitenshuis (terras) wordt geïnstalleerd, kies dan voor een locatie die tegen water, wind en stof is beschermd. Blootstelling aan deze elementen zal de garantie ongeldig maken. De ventilator op

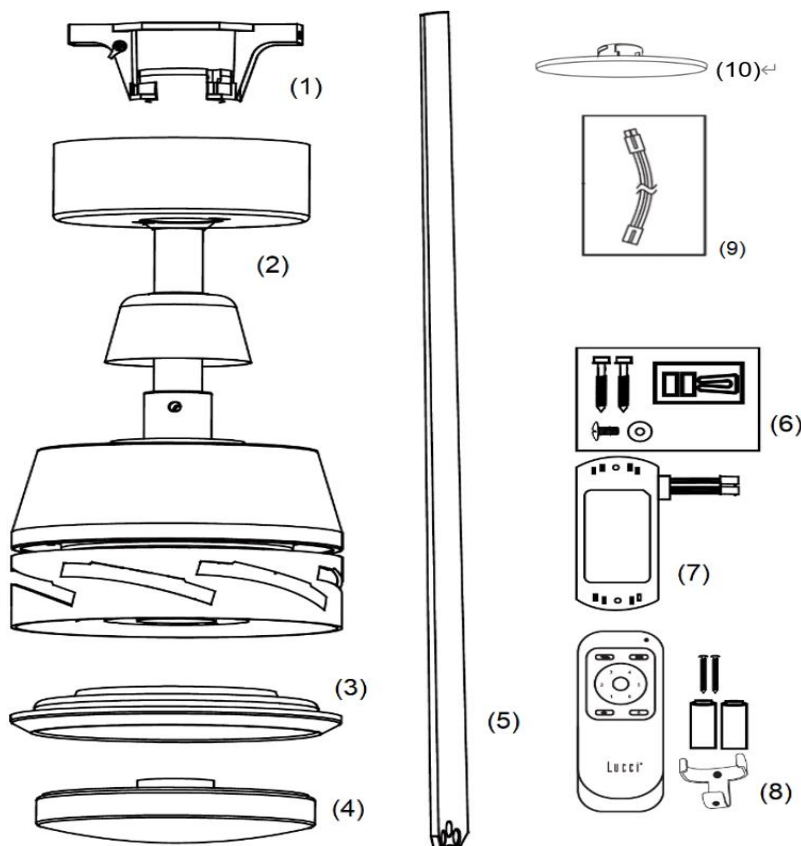


een plaats monteren waar deze aan water of vocht onderhevig is, is gevaarlijk en kan het risico op schade, letsel of elektrische schokken vergroten en zal de garantie ongeldig maken.

8. De elektrische installatie moet worden uitgevoerd door een gekwalificeerde, gecertificeerde elektricien.
9. **WAARSCHUWING:** Bij ongewone trillingen of oscillerende bewegingen moet het gebruik van de plafondventilator onmiddellijk worden gestaakt en moet contact worden opgenomen met de fabrikant, een servicetechnicus of een daartoe bevoegde persoon.
10. De vervanging van onderdelen van de veiligheidsophanging moet worden uitgevoerd door de fabrikant, een servicetechnicus of een daartoe bevoegde persoon.
11. De bevestigingsmiddelen voor het plafond, zoals haken of andere onderdelen, moeten voldoende stevig worden bevestigd om 4 maal het gewicht van de plafondventilator te kunnen weerstaan; de montage van het ophangstelsel moet worden uitgevoerd door de fabrikant, een servicetechnicus of een daartoe bevoegde persoon.

ONDERDELENLIJST

- Pak de plafondventilator voorzichtig uit. Verwijder alle onderdelen en hardware.
- Leg alle onderdelen op een vlakke ondergrond en controleer of alle noodzakelijke onderdelen aanwezig zijn. Als er onderdelen ontbreken, stuur het volledige product terug naar de plaats van aankoop voor inspectie of vervanging.
- Controleer of de plafondventilator tijdens het transport is beschadigd. Bedien/installeer geen product dat op welke wijze dan ook beschadigd lijkt te zijn. Stuur het beschadigde product terug naar de plaats van aankoop voor inspectie of vervanging.
- Controleer of alle onderdelen aanwezig zijn. U zou het volgende moeten hebben, zoals weergegeven in Afb.1:



Afb. 1



1	Montagebeugel x 1	6	Vastzetschroeven en balanceringsset x 1 set
2	Ventilatoreenheid x1	7	Afstandsbedieningsontvanger x 1
3	Lichtmodulebeugel x 1	8	Afstandsbediening, batterij, houder x 1 set
4	GX53-lamp x 1	9	Verlengkabel voor lichtmodule x1
5	Ventilatorblad x 7	10	Sierplaat zonder verlichting

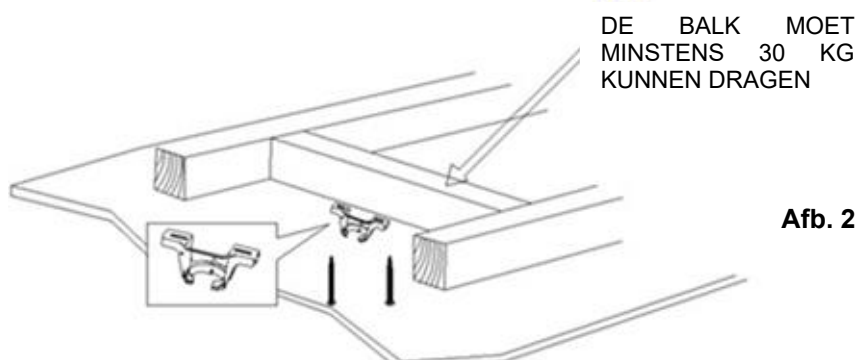
DE VENTILATOR INSTALLEREN

VEREIST GEREEDSCHAP:

- Kruiskopschroevendraaier / platte schroevendraaier
- Tang
- Verstelbare moersleutel
- Ladder
- Zijsnijtang
- Bedrading, voedingskabel zoals vereist door de lokale en nationale bedradingsnormen en voorschriften

DE MONTAGEBEUGEL INSTALLEREN

- De plafondventilator moet zodanig worden geïnstalleerd dat het uiteinde van de bladen minstens 300 mm verwijderd is van het dichtstbijzijnde object of de muur.
- Monteer de ophangbeugel met twee lange meegeleverde schroeven aan een plafondbalk of een stevig punt aan het plafond dat minstens 30 kg kan dragen. Zorg ervoor dat ten minste 30 mm van de schroef in de plafondbalk of in het plafond wordt gedraaid. (Afb. 2)



Afb. 2

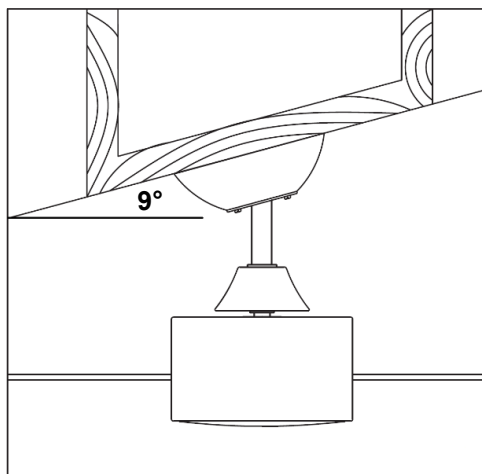
OPMERKING: DEZE AFBEELDING DIEN ALLEEN TER REFERENTIE, HET IS GEEN WERKELIJKE VOORSTELLING VAN DE BEUGEL.

OPMERKING: De meegeleverde beugelschroeven zijn alleen voor gebruik met houten constructies. Voor andere constructies dan hout moet het juiste schroeftype en eventueel pluggen worden gebruikt. Controleer of de gebruikte schroeven geschikt zijn voor het montageoppervlak.



PLAATSING ONDER EEN HOEK

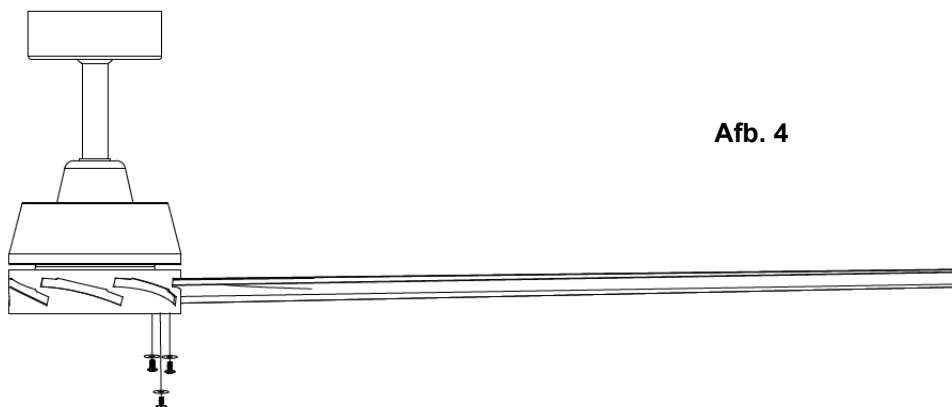
Dit ventilatorophangstelsysteem ondersteunt een plaatsing onder een hoek van maximaal 9 graden. (Afb. 3)



Afb. 3

INSTALLATIE VAN DE BLADEN (Afb. 4)

1. Steek het blad in de sleuf van het roterende deel van de ventilatormotor.
2. Lijn de gaten van het blad uit met de gaten van de beugel.
3. Bevestig het blad aan de ventilatormotor door de 3 bladschroeven en ringen aan te draaien. Zorg ervoor dat alle schroeven gelijkmatig zijn aangedraaid om de kans op kromtrekken of uitbalanceren te verkleinen. Let erop dat u de schroeven niet te vast draait, omdat dit de bladen kan beschadigen
4. Herhaal dit voor de andere bladen.

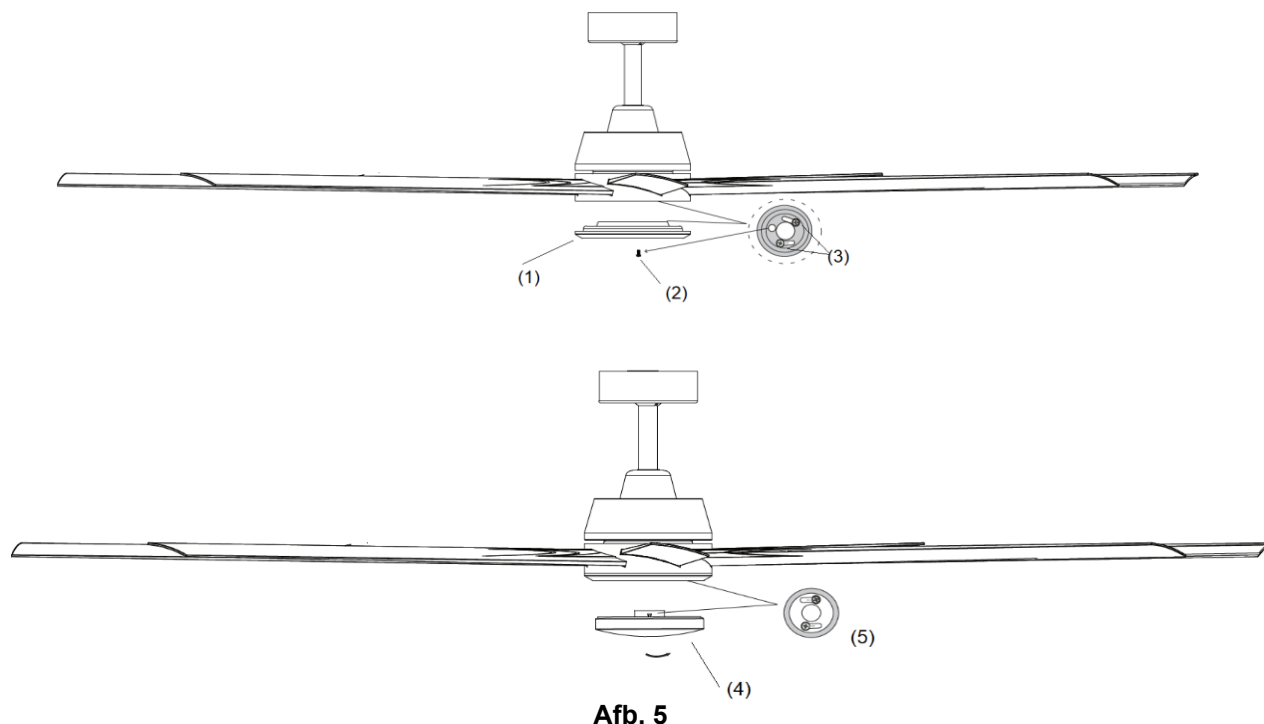


Afb. 4

DE LICHTMODULE INSTALLEREN (afb. 5)

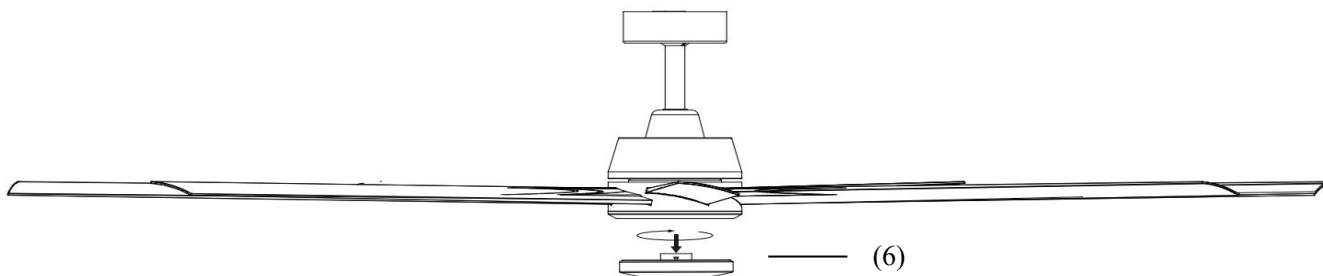
- **OPMERKING:** De lichtmodule moet worden geïnstalleerd door een erkend elektricien.
- Breng de twee gleufschroeven van de motoreenheid op één lijn met de sleutelgaten van de lichtmodulebeugel (3).
- Draai de lichtmodulebeugel tegen de klok in totdat de schroeven stevig tegen het einde van de sleuven zijn vastgemaakt.
- Draai de schroef (2) en de 2 gleufschroeven vast om de lichtmodulebeugel stevig vast te zetten.
- Installeer de lamp (4) op de GX53-lamphouder (5). Zorg dat u het maximale vermogen niet overschrijdt.



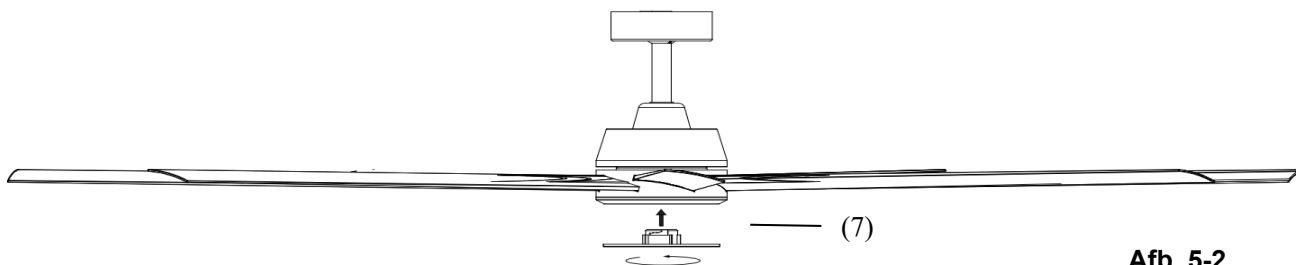


INSTALLATIE VAN DE sierplaat zonder verlichting (afb. 5 - 2)

- Verwijder de lamp (6) van de GX53-lamphouder (5).

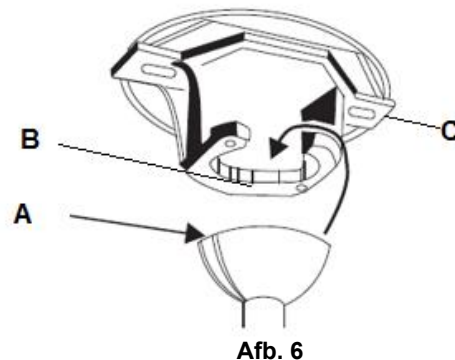


- Installeer de sierplaat zonder verlichting (7) op de lichtmodulebeugel.



DE VENTILATOR OPHANGEN

Plaats de ventilatoreenheid op de montagebeugel. Zorg ervoor dat de gleuf (A) van de ophangkogel op de pen (B) van de montagebeugel (C) is geplaatst om te voorkomen dat de ventilator tijdens het gebruik tegendraait. (Afb. 6)



Afb. 6

ELEKTRISCH BEDRADINGSSCHEMA VAN DE VENTILATOR

WAARSCHUWING: VOOR UW VEILIGHEID MOETEN ALLE ELEKTRISCHE AANSLUITINGEN WORDEN UITGEVOERD DOOR EEN ERKEND ELEKTRICIEN.

OPMERKING: IN DE VASTE BEDRADING MOET EEN MEERPOLIGE SCHEIDINGSSCHAKELAAR WORDEN OPGENOMEN.

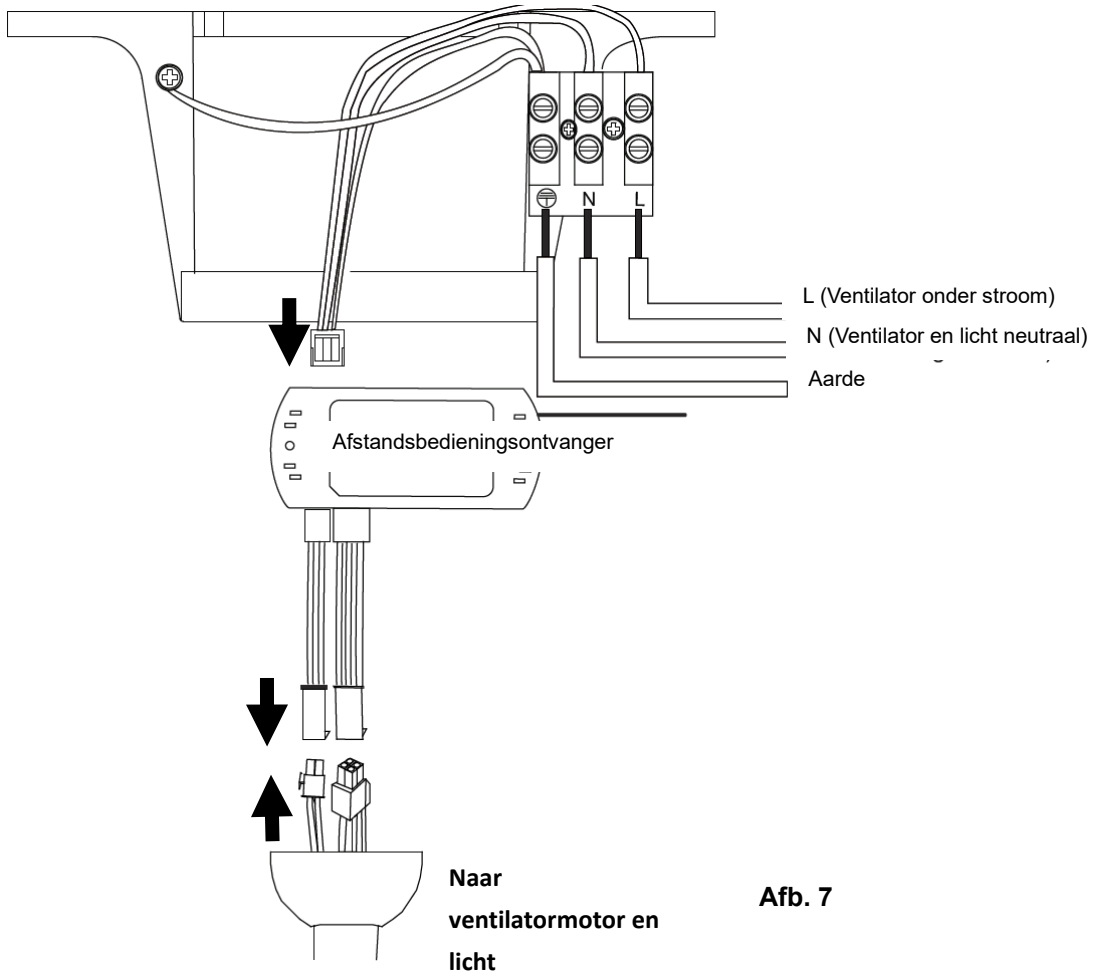
OPMERKING: ALS ER TWEE OF MEER GELIJKSTROOM-PLAFONDVENTILATORS OP ÉÉN LOCATIE ZIJN GEÏNSTALLEERD, IS EEN SCHEIDINGSSCHAKELAAR VEREIST VOOR ELKE PLAFONDVENTILATOR. DIT IS NODIG BIJ HET PROGRAMMEREN VAN DE AFSTANDSBEDIENING EN DE ONTVANGER.

Opmerking: Als een onderstangverlengstuk wordt gebruikt, is de verlengkabel voor lichtmodule (item 9 van Afb.1) vereist.

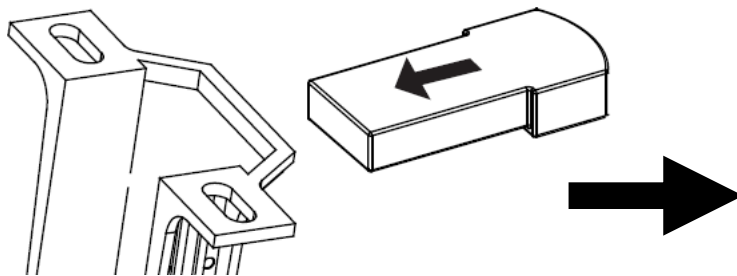
Zie afb. 8 hoe de bedrading op de ventilator aan te sluiten.

- Sluit de "FASE" draad aan op de "L"-klem van het klemmenblok op de montagebeugel.
- Sluit de "NEUTRAAL" draad aan op de "N"-klem van het klemmenblok op de montagebeugel.
- Sluit de "AARDE" draad aan op de "⊕"-klem van het klemmenblok op de montagebeugel.
- Hang de ventilator op (Zie "De ventilator ophangen" afb. 6, pagina 6).
- Sluit de voedingsconnector van de montagebeugel aan op de ingang van de DC-motordriver/ontvanger.
- Sluit de lichtconnector en de ventilatorconnector van de DC-motordriver/ontvanger aan op de ingangsdraden van de ventilatormotor en de lichtmodule.
- Breng de afstandsbedieningsontvanger voorzichtig boven de ophangkogel in de daarvoor voorziene ruimte in de montagebeugel aan. Zorg dat de bedrading niet wordt beschadigd of los komt. (Afb. 8).

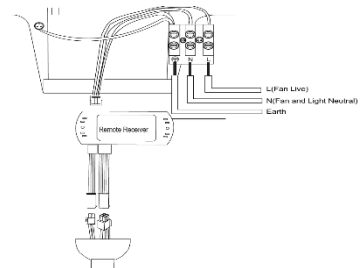




Afb. 7



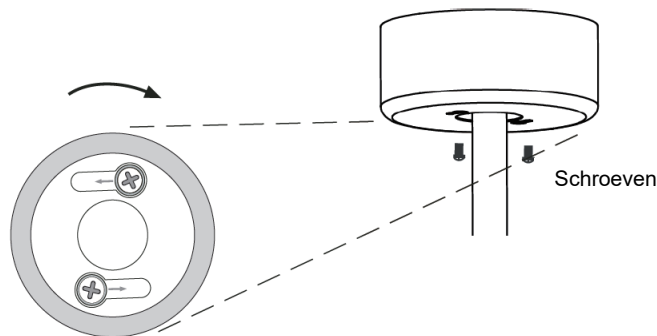
Afb. 8



DE INSTALLATIE VOLTOOIEN

INSTALLATIE VAN DE OVERKAPPING (afb. 9)

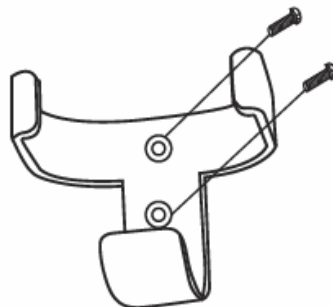
1. Zorg ervoor dat de aardebedrading veilig en correct is, door een aardingscontinuïteitstest uit te voeren vanaf de metalen behuizing van de ventilator tot aan de aardklem op het aansluitblok van de montagebeugel.
2. Draai de 2 schroeven aan de onderkant van de montagebeugel los.
3. Schuif de overkapping tot aan de montagebeugel en lijk de gaten op de overkapping uit met de schroeven op de montagebeugel. Draai de overkapping tot deze vastklikt met het smalle gedeelte van de gaten en zet deze vast door de twee schroeven aan te draaien. Vermijd beschadiging van de eerder voorbereide elektrische bedrading.



Afb. 9

DE HOUDER VOOR DE AFSTANDBEDIENING INSTALLEREN (Afb. 10)

1. Zoek een gepaste muur of oppervlak om de houder voor de afstandsbevestiging aan vast te maken met de 2 schroeven. (Afb. 10a)
2. Schuif de afstandsbediening in de houder. (Afb. 10b)



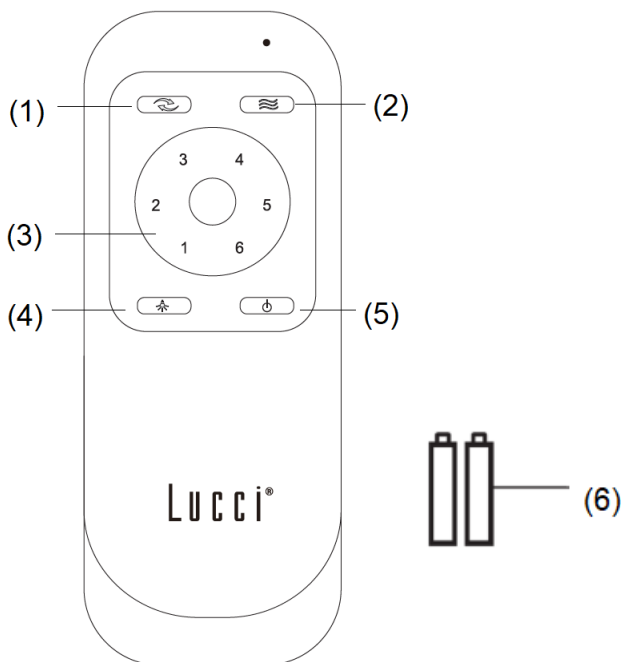
Afb. 10a



Afb. 10b

GEBRUIK VAN DE PLAFONDVENTILATOR

AFSTANDBEDIENING (Afb.11)



- | |
|---|
| <p>(1) Achterwaartse regeling</p> <p>(2) Natuurlijke wind (Het ventilatoroerental schakelt automatisch tussen de snelheden 1-6)</p> <p>(3) Snelheidsregeling</p> <p>(4) Licht aan/uit</p> <p>(5) Ventilator aan/uit</p> <p>(6) 1,5V AAA-batterij X 2st (inbegrepen)</p> |
|---|

Afb. 11

LICHTREGELING (afb. 11)

De GX53-ledlamp heeft een geïntegreerd 3-staps dimcircuit.

- Zet de ledlamp initieel AAN met 100% helderheid – Druk eenmaal op de Lichtknop (4) van de afstandsbediening.
 - Druk op de Lichtknop om het licht UIT en opnieuw AAN te zetten, binnen 3 seconden om tot 50% helderheid te dimmen.
 - Druk op de Lichtknop om het licht UIT en opnieuw AAN te zetten, binnen 3 seconden om tot 20% helderheid te dimmen.
- (Als het uit- en aanzetten van de lamp niet binnen 3 seconden plaatsvindt, wordt de lamp opnieuw op een helderheid van 100% ingesteld)

KOPPELEN AFSTANDBEDIENING EN ONTVANGER - WANNEER 1 DC PLAFONDVENTILATOR OP ÉÉN PLAATS IS GEÏNSTALLEERD

OPMERKING: Zorg ervoor dat u een enkelpolige schakelaar hebt geïnstalleerd in de vaste bedrading van de ventilator.

OPMERKING: Zorg ervoor dat de stroomtoevoer naar de ontvanger AAN is voordat u de afstandsbediening aan de ontvanger koppelt.

- Schakel de netvoeding van de ventilator uit met een aan/uit-wandschakelaar.
- Plaats de batterijen in de afstandsbediening. Zorg ervoor dat de polariteit van de batterij correct is.
- Schakel de stroomtoevoer naar de ontvanger in.



- Druk en houd de "⏻" knop op de afstandsbediening 10 seconden ingedrukt binnen 30 seconden na het inschakelen van de ontvanger van de plafondventilator.
- Er zal een piepsignaal uit de ontvanger klinken om aan te geven dat het koppelingsproces succesvol is.
- Schakel de plafondventilator in en wijzig de snelheid met behulp van de afstandsbediening om de juiste werking en koppeling te controleren.

KOPPELEN AFSTANDBEDIENING EN ONTVANGER - WANNEER MINSTENS 2 DC-PLAFONDVENTILATORS OP ÉÉN PLAATS ZIJN GEÏNSTALLEERD

Wanneer twee of meer plafondventilators in de buurt van elkaar zijn geplaatst, kunt u de afstandsbediening/ontvanger voor elke ventilator koppelen, zodat de werking van de ene ventilator geen invloed heeft op de werking van de andere ventilator.

OPMERKING: Zorg ervoor dat u een enkelpolige schakelaar hebt geïnstalleerd in de vaste bedrading van elke ventilator.

OPMERKING: Zorg ervoor dat de stroomtoevoer naar de ontvanger **AAN** is voordat u de afstandsbediening aan de ontvanger koppelt.

Afstandsbediening/ontvanger voor plafondventilator 1:

- Schakel de netvoeding van de ontvangers van beide plafondventilators 1 en 2 uit.
- Plaats de batterijen in de afstandsbediening. Zorg ervoor dat de polariteit van de batterij correct is.
- Schakel de stroomtoevoer naar ontvanger 1 in. Houd de stroom naar ontvanger 2 uitgeschakeld. (Elke plafondventilator moet een eigen scheidingsschakelaar hebben, zodat alleen de plafondventilator die aan de zender moet worden gekoppeld, aan staat).
- Druk en houd de "⏻" knop op de **zender 1** 10 seconden ingedrukt binnen 30 seconden na het inschakelen van de ontvanger van plafondventilator 1.
- Er zal een piepsignaal uit de ontvanger klinken om aan te geven dat het koppelingsproces succesvol is.
- Schakel de plafondventilator 1 in en wijzig de snelheid met behulp van de afstandsbediening om op een juiste werking en koppeling te controleren.

Afstandsbediening/ontvanger voor plafondventilator 2:

- Schakel de netvoeding van de ontvangers van beide plafondventilators 1 en 2 uit.
- Plaats de batterijen in de afstandsbediening. Zorg ervoor dat de polariteit van de batterij correct is.
- Schakel de stroomtoevoer naar ontvanger 2 in. Houd de stroom naar ontvanger 1 uitgeschakeld. (Elke plafondventilator moet een eigen scheidingsschakelaar hebben, zodat alleen de plafondventilator die aan de zender moet worden gekoppeld, aan staat).
- Druk en houd de "⏻" knop op de **zender 2** 10 seconden ingedrukt binnen 30 seconden na het inschakelen van de ontvanger van plafondventilator 2.



- Er zal een piepsignaal uit de ontvanger klinken om aan te geven dat het koppelingsproces succesvol is.
- Schakel de plafondventilator 2 in en wijzig de snelheid met behulp van de afstandsbediening om de juiste werking en koppeling te controleren.

DE ONTVANGER VAN DE VENTILATOR OPNIEUW AAN DE AFSTANDBEDIENING KOPPELEN

Als de verbinding tussen de afstandsbediening en de ontvanger tijdens de installatie of werking wordt verbroken, moet de koppeling tussen de afstandsbediening en de ontvanger opnieuw worden gemaakt. Hieronder staan de symptomen en de methode om de koppeling van de afstandsbediening en de ontvanger van de DC-plafondventilator te herstellen.

Problemen:

- Geen bediening mogelijk - Ventilator draait alleen op hoge snelheid na installatie
- Geen bediening mogelijk - Geen omkeerfunctie na installatie
- Geen bediening mogelijk - De afstandsbediening kan niet met de ontvanger communiceren

Oplossing:

- Schakel stroom naar de ventilator uit.
- Schakel stroom naar de ventilator in. Volg dezelfde procedure zoals beschreven in de sectie "Koppelen afstandsbediening en ontvanger" om de koppeling met de ventilator te herstellen.
- Schakel de plafondventilator in en selecteer de verschillende snelheden om de werking van de ventilator te controleren.

NA INSTALLATIE

OPMERKING: Plafondventilators hebben de neiging om tijdens het gebruik te bewegen door het feit dat ze op een rubberen doorvoertules zijn gemonteerd. Als de ventilator vast aan het plafond werd gemonteerd, zou dit buitensporige trillingen veroorzaken. Bewegingen van enkele centimeters zijn acceptabel en is geen defect van het apparaat.

OM HET WIEBELEN VAN DE VENTILATOR TE VERMINDEREN: Controleer of alle schroeven waarmee de montagebeugel en de onderstang zijn bevestigd, goed vastzitten.

BALANCERINGSSET: Een balanceringsset wordt geleverd om de plafondventilator bij de eerste installatie te balanceren. Zie de instructies voor het gebruik van de balanceringsset. De balanceringsset kan worden gebruikt om de balans te helpen herstellen als de plafondventilator uit balans raakt. Bewaar uw balanceringsset na de installatie voor toekomstig gebruik indien nodig.

GELUID:

Wanneer het stil is (vooral 's nachts) kan het zijn dat u af en toe kleine geluiden hoort. Lichte stroomschommelingen en frequentiesignalen die op het elektriciteitssignaal worden gesuperponeerd voor de warmwaterbeheersing buiten de piekuren, kunnen een verandering in het geluid van de ventilatormotor veroorzaken. Dit is normaal. Houd rekening met een "instelperiode" van 24 uur. De meeste geluiden die



gepaard gaan met een nieuwe ventilator verdwijnen gedurende deze periode.

De garantie van de fabrikant dekt de werkelijke fouten die zich kunnen ontwikkelen en NIET kleine klachten zoals motorgeluid - Alle elektromotoren produceren tot op zekere hoogte geluid.

ONDERHOUD EN REINIGING

OPMERKING: Schakel altijd eerst de stroom uit met de netschakelaar voordat u onderhoud uitvoert of uw ventilator probeert te reinigen.

- Elke 6 maanden is periodieke reiniging van uw plafondventilator het enige onderhoud dat nodig is. Gebruik een zachte borstel of pluivrije doek om krassen op de laklaag te voorkomen. Schakel de elektriciteit uit als u dat doet.
- Laat uw plafondventilator niet weken of onderdompelen in water of andere vloeistoffen. Het kan de motor of de bladen beschadigen en een elektrische schok veroorzaken.
- Zorg ervoor dat de ventilator niet in contact komt met organische oplosmiddelen of reinigingsmiddelen.
- Om het ventilatorblad te reinigen, veegt u het af met een vochtige, schone doek met GEEN organische oplosmiddelen of reinigingsmiddelen.
- De motor heeft een permanent gesmeerde kogellager zodat er geen olie nodig is.

VEILIGHEIDSMATREGELEN VOOR DE BATTERIJEN

- **WAARSCHUWING** – Houd nieuwe en gebruikte batterijen uit de buurt van kinderen.
- **OPGELET** – Slik batterijen niet in - gevaar voor chemische brandwonden.
- Gebruik altijd 2 x AAA-batterijen voor de afstandsbediening.
- Zorg ervoor dat de batterijen met de juiste polariteit zijn geplaatst.
- Om te voorkomen dat de plafondventilator tijdens het plaatsen of vervangen van de batterijen verkeerd wordt gebruikt, moet de plafondventilator worden uitgeschakeld.
- Verwijder de batterijen als u het apparaat voor langere tijd niet gebruikt.
- De batterijen moeten uit de afstandsbediening worden verwijderd voordat het apparaat wordt afgedankt.
- Gooi gebruikte batterijen onmiddellijk en veilig weg (zodat ze niet door kinderen kunnen worden bereikt). Batterijen kunnen nog steeds gevaarlijk zijn. Neem contact op met uw gemeente om de batterijen veilig af te voeren.
- Controleer het product regelmatig en zorg ervoor dat het deksel van het batterijvak goed vastzit. Als het batterijvak niet goed kan worden afgesloten, mag u het product niet meer gebruiken en moet u het buiten het bereik van kinderen houden.
- Als u denkt dat batterijen zijn ingeslikt of in een lichaamsopening zijn geplaatst, moet u onmiddellijk medische hulp invoeren.



TECHNISCHE INFORMATIE

Ventilator	56" ventilator – Atlanta
Ventilatormodellen / SKU#	LD-56" ATL / SKU# 213182, 213183
Nominale spanning	220-240 V~ 50Hz
Nominaal vermogen (motor)	42W
Specificaties ledlamp (In de ventilator geïntegreerd)	Type: GX53, Vermogen: Max.12W; Dimtype: 3-staps geschakeld; CCT: 3000K; Helderheidsniveaus: 100% - 1100lm, 50% - 550lm, 20% - 220lm; Gx53-ledlamp SKU# 121354
Batterij voor afstandsbediening	2 x AAA (inbegrepen)
Gewicht	6,8kg
Afmetingen van de overkapping	H:51mm Dia:140mm

GARANTIE-INFORMATIE

IN EUROPA - Als u een Europese klant bent, neem dan contact op met het verkooppunt waar de ventilator is gekocht voor garanteservice.





ΕΥΧΑΡΙΣΤΟΥΜΕ ΓΙΑ ΤΗΝ ΑΓΟΡΑ ΣΑΣ

Συγχαρητήρια για την αγορά ενός ανεμιστήρα οροφής τελευταίας τεχνολογίας όσον αφορά την ενεργειακή απόδοση. Ο ανεμιστήρας που αγοράσατε λειτουργεί με συνεχές ρεύμα (DC), έτσι ώστε να παρέχει εξαιρετική ενεργειακή απόδοση και ταυτόχρονα υψηλή ικανότητα κίνησης αέρα και αθόρυβη λειτουργία.

Ενεργειακή απόδοση - Το μοτέρ DC αποτελεί την τελευταία τεχνολογική εξέλιξη στη σχεδίαση ανεμιστήρων. Είναι ένα μοτέρ υψηλής απόδοσης, που εξοικονομεί έως και 65% περισσότερη ενέργεια σε σχέση με τα συμβατικά μοτέρ των ανεμιστήρων οροφής εναλλασσόμενου ρεύματος (AC).

Αθόρυβη λειτουργία – Το μοτέρ DC αυτού του ανεμιστήρα είναι προγραμματισμένο να λειτουργεί με σταθεροποιημένο ρεύμα, ώστε να μειώνεται αποτελεσματικά ο θόρυβος του μοτέρ.

Χαμηλή θερμοκρασία λειτουργίας – Χάρη στην αποτελεσματική διαχείριση του τροφοδοτικού DC, η θερμοκρασία λειτουργίας του μοτέρ κυμαίνεται κάτω από τους 50°C. Έτσι, το μοτέρ θερμαίνεται πολύ λιγότερο από το μοτέρ ενός συμβατικού ανεμιστήρα AC και έχει μεγαλύτερη διάρκεια ζωής.

Τηλεχειριστήριο 6 ταχυτήτων – Οι συμβατικοί ανεμιστήρες οροφής AC έχουν συνήθως μόνο 3 ταχύτητες, ενώ αυτός ο ανεμιστήρας DC περιλαμβάνει τηλεχειριστήριο 6 ταχυτήτων για περισσότερες επιλογές κλιματισμού.

ΠΡΟΦΥΛΑΞΕΙΣ ΑΣΦΑΛΕΙΑΣ

1. Για την Ευρώπη: Αυτή η συσκευή μπορεί να χρησιμοποιηθεί από παιδιά ηλικίας 8 χρονών και πάνω και από άτομα με περιορισμένες σωματικές, αισθητήριες ή διανοητικές ικανότητες, ή από άτομα με ελλιπή εμπειρία και γνώσεις, εφόσον επιβλέπονται ή έχουν λάβει οδηγίες για την ασφαλή χρήση της συσκευής και κατανοούν τους εμπλεκόμενους κινδύνους. Οι εργασίες καθαρισμού και συντήρησης δεν πρέπει να πραγματοποιούνται από παιδιά χωρίς επίβλεψη.
2. Τα παιδιά πρέπει να επιβλέπονται, ώστε να διασφαλίζεται ότι δεν παίζουν με τη συσκευή.
3. Η σταθερή καλωδίωση θα πρέπει να περιλαμβάνει διακόπτη απομόνωσης όλων των αγωγών ρεύματος (φάσεις και ουδέτερο) σύμφωνα τους τοπικούς ηλεκτρολογικούς κανονισμούς.



4. Οι ηλεκτρικές συσκευές δεν πρέπει να απορρίπτονται μαζί με τα οικιακά απορρίμματα. Χρησιμοποιήστε ξεχωριστές εγκαταστάσεις συλλογής απορριμμάτων. Απευθυνθείτε στις τοπικές αρχές για πληροφορίες σχετικά με τα διαθέσιμα συστήματα συλλογής. Η απόρριψη αποβλήτων ηλεκτρικού και ηλεκτρονικού εξοπλισμού σε χωματερές μπορεί να έχει ως αποτέλεσμα τη διαρροή επικίνδυνων ουσιών στα υπόγεια ύδατα, οι οποίες μπορεί να περάσουν στην τροφική αλυσίδα και να βλάψουν την υγεία σας.
5. Η κατασκευή στην οποία θα προσαρτηθεί ο ανεμιστήρας θα πρέπει να μπορεί να υποστηρίξει βάρος 28 kg.
6. Ο ανεμιστήρας θα πρέπει να τοποθετηθεί με τέτοιο τρόπο, ώστε τα πτερύγια να βρίσκονται τουλάχιστον 2,3 m πάνω από το δάπεδο για την Ευρώπη ή τουλάχιστον 2,1 m πάνω από το δάπεδο για την Αυστραλία.
7. Αυτός ο ανεμιστήρας μπορεί να εγκατασταθεί σε εσωτερικό και σε εξωτερικό χώρο, εφόσον ο ανεμιστήρας καλύπτεται πλήρως από τουλάχιστον 2 τοίχους. Ο ανεμιστήρας δεν είναι αδιάβροχος. Εάν εγκατασταθεί



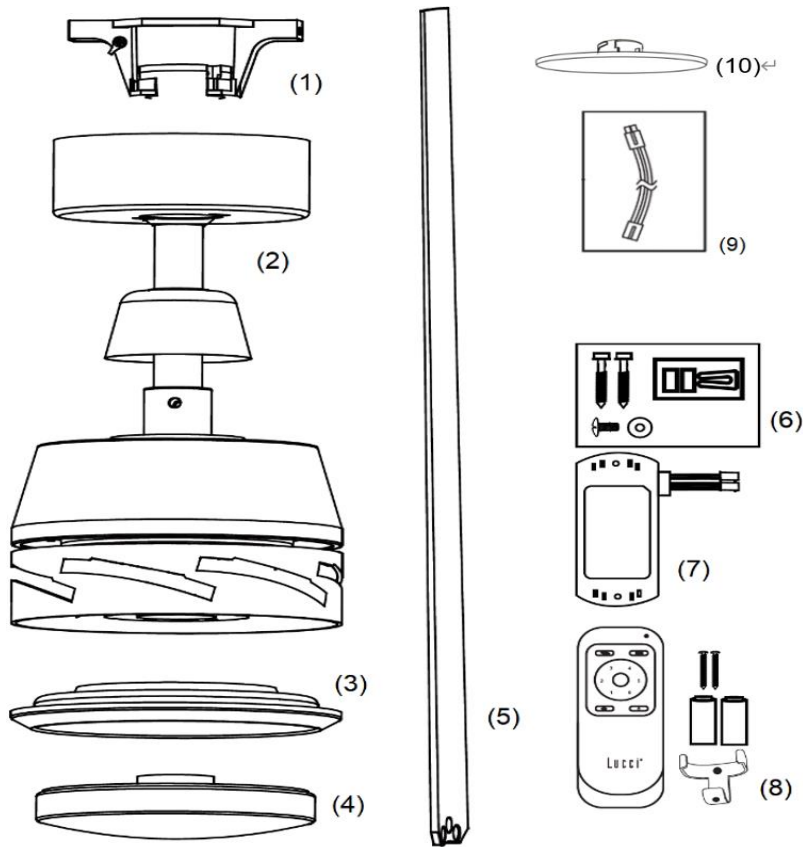
σε εξωτερικό χώρο, ο ανεμιστήρας οροφής θα πρέπει να είναι προστατευμένος από το νερό, τον αέρα, τη σκόνη και το αλάτι. Η έκθεση σε αυτά τα στοιχεία ακυρώνει την εγγύηση. Η εγκατάσταση του ανεμιστήρα σε χώρο εκτεθειμένο σε νερό ή υγρασία είναι επικίνδυνη και αυξάνει τον κίνδυνο ζημιάς, τραυματισμού ή ηλεκτροπληξίας.

8. Η εγκατάσταση ηλεκτρολογικών πρέπει να διεξάγεται από εξειδικευμένο επαγγελματία ηλεκτρολόγο.
9. ΠΡΟΕΙΔΟΠΟΙΗΣΗ: Εάν παρατηρήσετε ότι ο ανεμιστήρας οροφής κλυδωνίζεται ή ταλαντώνεται ασυνήθιστα, σταματήστε αμέσως τη χρήση του ανεμιστήρα και επικοινωνήστε με τον κατασκευαστή, τον αντιπρόσωπο σέρβις του κατασκευαστή ή κατάλληλο επαγγελματία.
10. Η αντικατάσταση των εξαρτημάτων του συστήματος ανάρτησης ασφαλείας πρέπει να πραγματοποιείται από τον κατασκευαστή, τον αντιπρόσωπο σέρβις του κατασκευαστή ή κατάλληλο επαγγελματία.
11. Τα εξαρτήματα προσάρτησης στην οροφή, όπως είναι τα άγκιστρα ή άλλες διατάξεις, πρέπει να στερεώνονται κατάλληλα, έτσι ώστε να αντέχουν 4 φορές το βάρος του ανεμιστήρα οροφής. Το σύστημα ανάρτησης θα πρέπει να εγκατασταθεί από τον κατασκευαστή, τον αντιπρόσωπο σέρβις του κατασκευαστή ή κατάλληλο επαγγελματία.

ΛΙΣΤΑ ΕΞΑΡΤΗΜΑΤΩΝ

- Αποσυσκευάστε προσεκτικά τον ανεμιστήρα οροφής. Αφαιρέστε όλα τα εξαρτήματα και υλικά.
- Τακτοποιήστε όλα τα εξαρτήματα σε ομαλή επιφάνεια και βεβαιωθείτε ότι δεν λείπει κανένα εξάρτημα, προτού να ξεκινήσετε τη συναρμολόγηση. Εάν λείπουν εξαρτήματα, επιστρέψτε ολόκληρο το προϊόν στο κατάστημα αγοράς για επιθεώρηση ή αντικατάσταση.
- Ελέγξτε μήπως ο ανεμιστήρας οροφής έχει υποστεί ζημιά κατά τη μεταφορά. Εάν εντοπίσετε οποιαδήποτε ζημιά, μη θέσετε σε λειτουργία και μην εγκαταστήσετε το προϊόν. Επιστρέψτε ολόκληρο το προϊόν στο κατάστημα αγοράς για επιθεώρηση, επισκευή ή αντικατάσταση.
- Ελέγξτε όλα τα εξαρτήματα και βεβαιωθείτε ότι υπάρχουν τα ακόλουθα (Εικ. 1):





1	Βραχίονας στήριξης x 1	6	Βίδες εγκατάστασης και Σετ ζυγοστάθμισης x 1 σετ
2	Μονάδα ανεμιστήρα x 1	7	Δέκτης τηλεχειρισμού x 1
3	Στοιχείο συγκράτησης σετ φωτιστικού x 1	8	Τηλεχειριστήριο, μπαταρία, στήριγμα x 1 σετ
4	Λυχνία GX53 x 1	9	Καλώδιο προέκτασης σετ φωτιστικού x 1
5	Πτερύγια x 7	10	Διακοσμητική πλάκα χωρίς φωτιστικό

ΕΓΚΑΤΑΣΤΑΣΗ ΤΟΥ ΑΝΕΜΙΣΤΗΡΑ

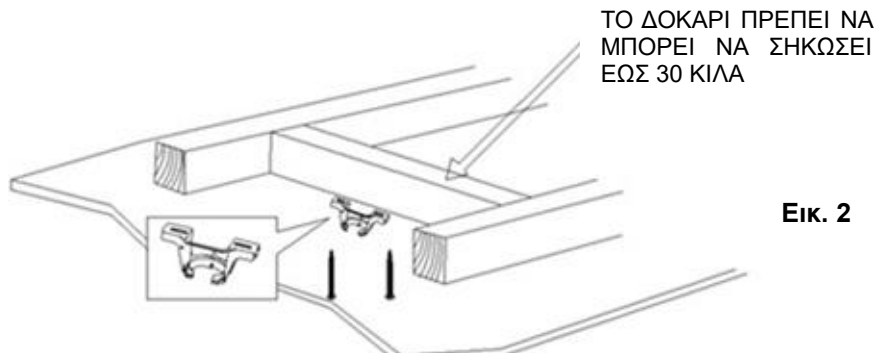
ΑΠΑΙΤΟΥΜΕΝΑ ΕΡΓΑΛΕΙΑ:

- Σταυροκατσάβιδο / ίσιο κατσαβίδι
- Πένσα
- Γαλλικό κλειδί
- Σκάλα
- Κόφτης
- Ηλεκτρικό καλώδιο, σύμφωνα με τις προδιαγραφές που ορίζουν οι κατά τόπους κανονισμοί για τις ηλεκτρικές καλωδιώσεις



ΕΓΚΑΤΑΣΤΑΣΗ ΤΟΥ ΒΡΑΧΙΟΝΑ ΣΤΗΡΙΞΗΣ

- Ο ανεμιστήρας οροφής πρέπει να εγκατασταθεί σε τέτοιο σημείο, ώστε οι άκρες των πτερυγίων να απέχουν τουλάχιστον 300 mm από τα πλησιέστερα αντικείμενα ή τους τοίχους.
- Τοποθετήστε το στοιχείο ανάρτησης σε δοκάρι της οροφής ή άλλη κατασκευή που να μπορεί να σηκώσει βάρος τουλάχιστον 30 κιλών, με τις δύο μακριές βίδες που παρέχονται. Βεβαιωθείτε ότι τουλάχιστον 30 mm της βίδας έχουν βιδωθεί στην κατασκευή ανάρτησης. (Εικ. 2)



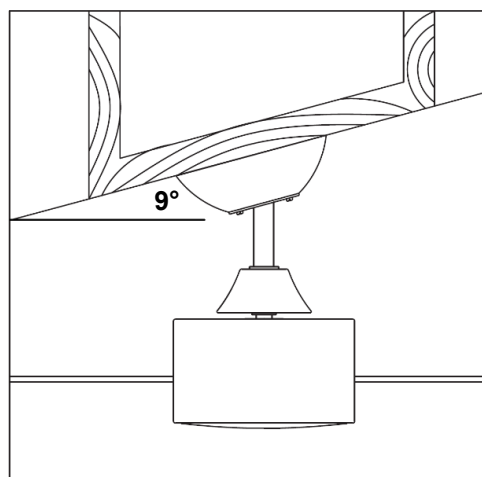
Εικ. 2

ΣΗΜΕΙΩΣΗ: Η ΕΙΚΟΝΑ ΕΙΝΑΙ ΕΝΔΕΙΚΤΙΚΗ ΚΑΙ ΔΕΝ ΑΝΤΑΠΟΚΡΙΝΕΤΑΙ ΣΤΟΝ ΠΡΑΓΜΑΤΙΚΟ ΒΡΑΧΙΟΝΑ

ΣΗΜΕΙΩΣΗ: Οι παρεχόμενες βίδες στερέωσης είναι κατάλληλες μόνο για ξύλο. Για κατασκευές από άλλο υλικό, εκτός ξύλου, θα ΠΡΕΠΕΙ να χρησιμοποιηθεί ο κατάλληλος τύπος βίδας. Βεβαιωθείτε ότι οι χρησιμοποιούμενες βίδες είναι κατάλληλες για την επιφάνεια προσάρτησης και τον περιβάλλοντα χώρο.

ΤΟΠΟΘΕΤΗΣΗ ΣΕ ΟΡΟΦΗ ΥΠΟ ΚΛΙΣΗ

Αυτό το σύστημα ανάρτησης του ανεμιστήρα επιτρέπει την εγκατάσταση του ανεμιστήρα στην οροφή υπό κλίση 9 μοιρών το μέγιστο. (Εικ. 3)



Εικ. 3

ΤΟΠΟΘΕΤΗΣΗ ΤΟΥ ΠΤΕΡΥΓΙΟΥ (Εικ. 4)

1. Εισαγάγετε το πτερύγιο μέσα στην εγκοπή του περιστρεφόμενου σκέλους του συγκροτήματος μοτέρ ανεμιστήρα.
2. Ευθυγραμμίστε και συνδέστε τις οπές του πτερυγίου με το βραχίονα πτερυγίου.
3. Στερεώστε το πτερύγιο στο συγκρότημα μοτέρ ανεμιστήρα, σφίγγοντας τις 3 βίδες πτερυγίου και τις

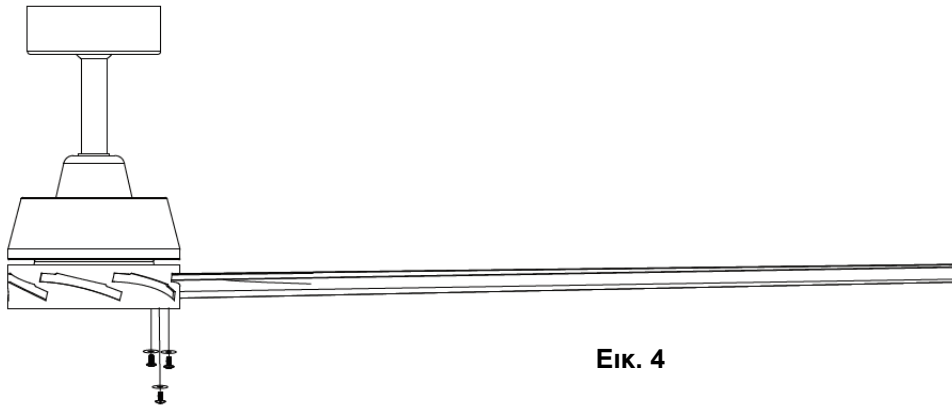


ροδέλες.

Βεβαιωθείτε ότι έχετε σφίξει όλες τις βίδες ομοιόμορφα, ώστε να μην παραμορφωθούν τα πτερύγια και να μην γέρνει ο ανεμιστήρας.

Μη συσφίγγετε υπερβολικά τις βίδες, γιατί μπορεί να υποστούν ζημιά τα πτερύγια.

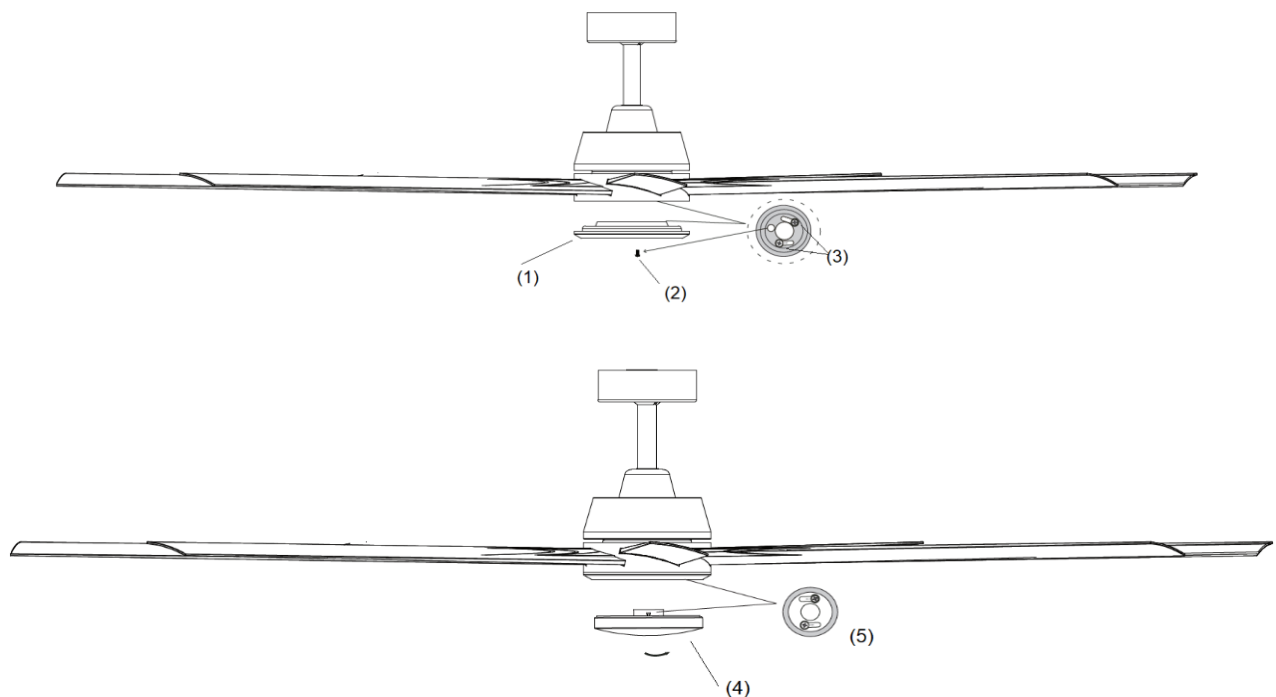
4. Ακολουθήστε την ίδια διαδικασία για τα υπόλοιπα πτερύγια.



Εικ. 4

ΕΓΚΑΤΑΣΤΑΣΗ ΤΟΥ ΚΙΤ ΦΩΤΙΣΤΙΚΟΥ (Εικ. 5)

- **ΣΗΜΕΙΩΣΗ:** Το κιτ φωτιστικού πρέπει να εγκατασταθεί από επαγγελματία ηλεκτρολόγο.
- Ευθυγραμμίστε τις δύο βίδες με τις οπές του τμήματος μοτέρ με τις οπές στο στοιχείο συγκράτησης σετ φωτιστικού (3).
- Περιστρέψτε το στοιχείο ανάρτησης φωτιστικού αριστερόστροφα, μέχρι να ασφαλισουν οι βίδες στην άκρη των οπών.
- Σφίξτε τη βίδα (2) και τις 2 βίδες με οπές για να ασφαλίσετε το στοιχείο συγκράτησης σετ φωτιστικού.
- Τοποθετήστε τον λαμπτήρα (4) στην υποδοχή λάμπας GX53 (5). Μην υπερβαίνετε τις μέγιστες επιτρεπόμενες τιμές ρεύματος.

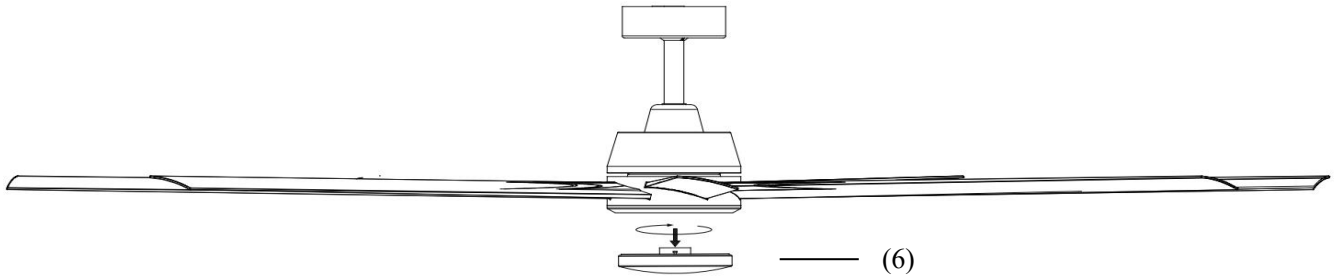


Εικ. 5

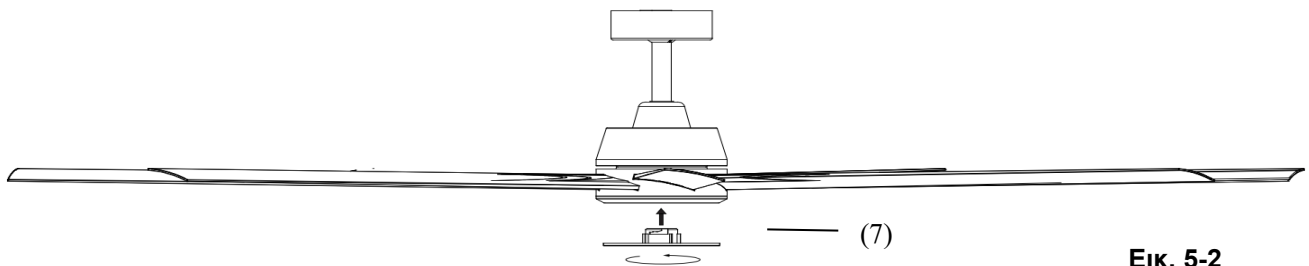


ΕΓΚΑΤΑΣΤΑΣΗ διακοσμητικής πλάκας χωρίς φωτιστικό (Εικ. 5 – 2)

- Απομακρύνετε τον λαμπτήρα (6) από την υποδοχή λάμπας GX53.



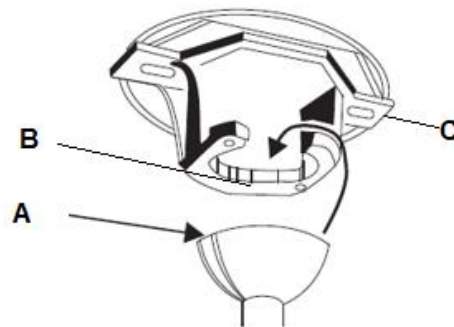
- Εγκαταστήστε την διακοσμητική πλάκα χωρίς φωτιστικό (7) στο στοιχείο συγκράτησης σετ φωτιστικού.



Εικ. 5-2

ΑΝΑΡΤΗΣΗ ΤΟΥ ΑΝΕΜΙΣΤΗΡΑ

Ανασηκώστε και τοποθετήστε τη μονάδα ανεμιστήρα πάνω στο βραχίονα στήριξης. Βεβαιωθείτε ότι η εγκοπή (A) στην πλαφονιέρα είναι ευθυγραμμισμένη με το κλειδί (B) στο βραχίονα στήριξης (C), για να μην περιστρέφεται ο ανεμιστήρας κατά τη λειτουργία. (Εικ. 6)



Εικ. 6

ΗΛΕΚΤΡΟΛΟΓΙΚΟ ΔΙΑΓΡΑΜΜΑ ΤΟΥ ΑΝΕΜΙΣΤΗΡΑ

ΠΡΟΕΙΔΟΠΟΙΗΣΗ: ΓΙΑ ΤΗ ΔΙΚΗ ΣΑΣ ΑΣΦΑΛΕΙΑ, ΟΛΕΣ ΟΙ ΗΛΕΚΤΡΙΚΕΣ ΣΥΝΔΕΣΕΙΣ ΠΡΕΠΕΙ ΝΑ ΠΡΑΓΜΑΤΟΠΟΙΗΘΟΥΝ ΑΠΟ ΕΠΑΓΓΕΛΜΑΤΙΑ ΗΛΕΚΤΡΟΛΟΓΟ.

ΣΗΜΕΙΩΣΗ: Η ΣΤΑΘΕΡΗ ΚΑΛΩΔΙΩΣΗ ΠΡΕΠΕΙ ΝΑ ΠΕΡΙΛΑΜΒΑΝΕΙ ΣΥΜΠΛΗΡΩΜΑΤΙΚΟ ΔΙΑΚΟΠΤΗ ΑΠΟΜΟΝΩΣΗΣ ΟΛΩΝ ΤΩΝ ΑΓΩΓΩΝ ΡΕΥΜΑΤΟΣ (ΦΑΣΕΙΣ ΚΑΙ ΟΥΔΕΤΕΡΟ).

ΣΗΜΕΙΩΣΗ: ΕΑΝ ΕΓΚΑΤΑΣΤΑΘΟΥΝ ΔΥΟ Ή ΠΕΡΙΣΣΟΤΕΡΟΙ ΑΝΕΜΙΣΤΗΡΕΣ ΟΡΟΦΗΣ ΣΤΟΝ ΙΔΙΟ ΧΩΡΟ, ΘΑ ΠΡΕΠΕΙ ΝΑ ΥΠΑΡΧΕΙ ΔΙΑΚΟΠΤΗΣ ΑΠΟΜΟΝΩΣΗΣ ΓΙΑ ΚΑΘΕ ΑΝΕΜΙΣΤΗΡΑ. ΑΥΤΟ ΑΠΑΙΤΕΙΤΑΙ ΚΑΤΑ ΤΟΝ ΠΡΟΓΡΑΜΜΑΤΙΣΜΟ ΤΟΥ ΤΗΛΕΧΕΙΡΙΣΤΗΡΙΟΥ ΚΑΙ ΤΟΥ ΔΕΚΤΗ ΓΙΑ ΣΥΖΕΥΞΗ.

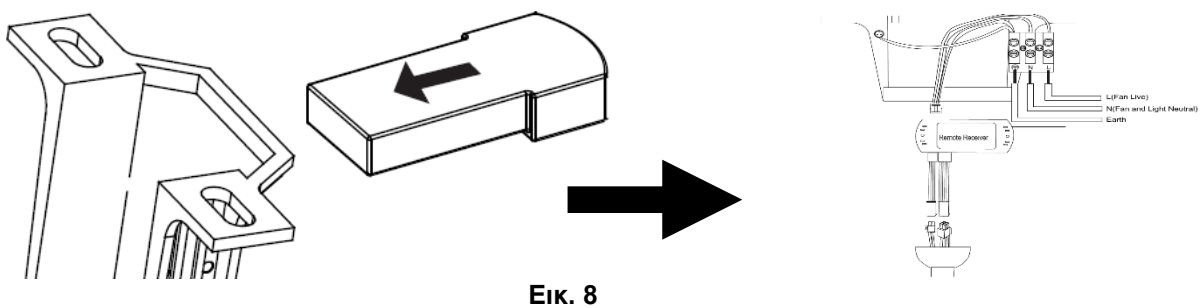
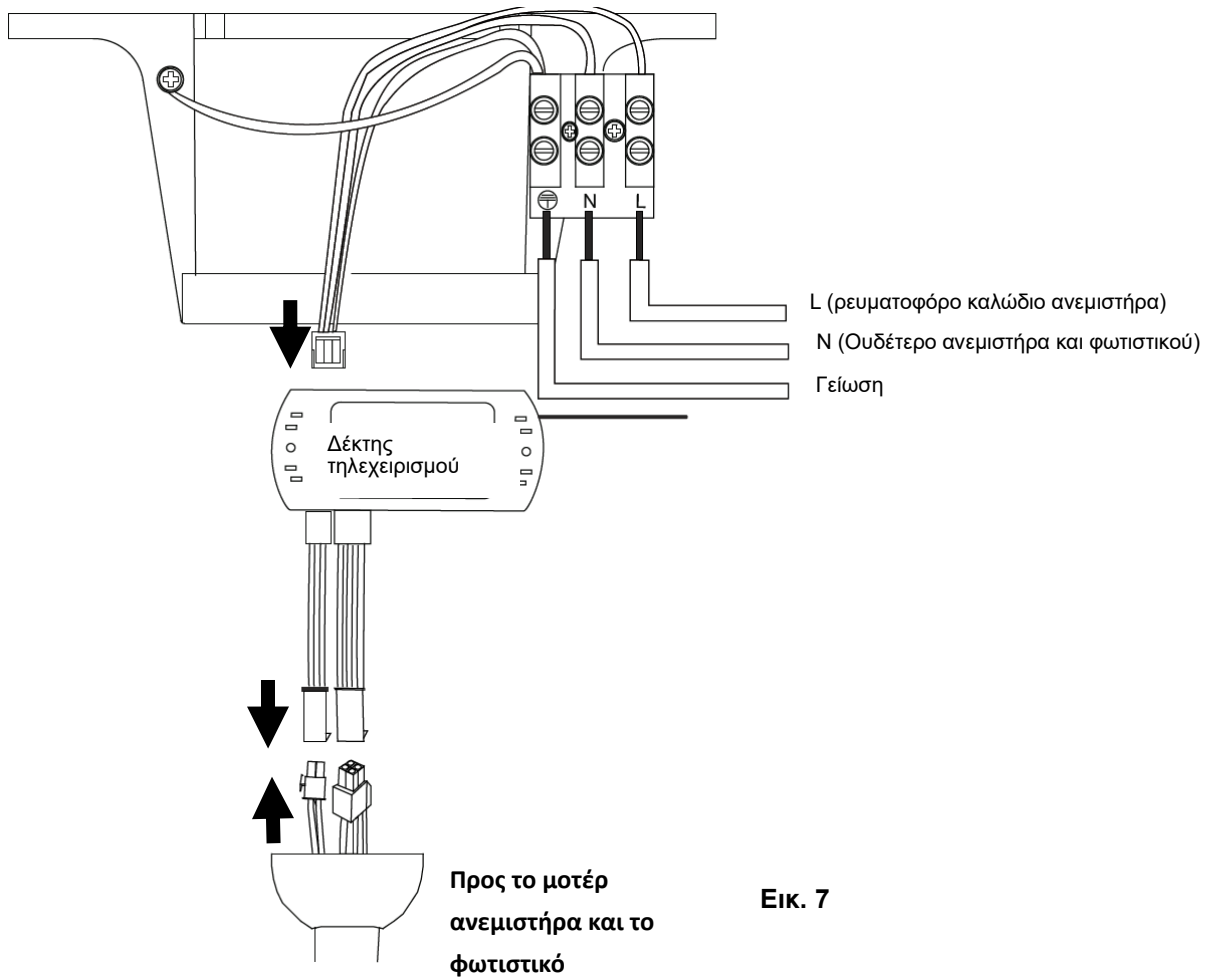


Σημείωση: Εάν χρησιμοποιείται μια καθοδική ράβδος επέκτασης, απαιτείται το καλώδιο επέκτασης kit φωτιστικού (είδος 9 στην Εικ. 1).

Βλ. Εικ. 8 παρακάτω για οδηγίες σχετικά με την καλωδίωση του ανεμιστήρα.

- Συνδέστε το «ΡΕΥΜΑΤΟΦΟΡΟ» καλώδιο στον ακροδέκτη «L» στην πλακέτα σύνδεσης ακροδεκτών του βραχίονα στήριξης.
- Συνδέστε το «ΟΥΔΕΤΕΡΟ» καλώδιο στον ακροδέκτη «N» στην πλακέτα σύνδεσης ακροδεκτών του βραχίονα στήριξης.
- Συνδέστε το καλώδιο «ΓΕΙΩΣΗΣ» στον ακροδέκτη «⊕» στην πλακέτα σύνδεσης ακροδεκτών του βραχίονα.
- Κρεμάστε τον ανεμιστήρα (ανατρέξτε στην ενότητα «Ανάρτηση του ανεμιστήρα», Εικ. 6, σελίδα 6).
- Συνδέστε το σύνδεσμο του καλωδίου παροχής ρεύματος μεταξύ βραχίονα στήριξης και εισόδου του οδηγού μοτέρ DC / δέκτη.
- Συνδέστε το σύνδεσμο του φωτιστικού και το σύνδεσμο ανεμιστήρα μεταξύ οδηγού μοτέρ DC / δέκτη και καλωδίων εισόδου του μοτέρ του ανεμιστήρα και του kit φωτιστικού.
- Τοποθετήστε προσεκτικά το δέκτη τηλεχειρισμού πάνω από τη ροζέτα, στον προβλεπόμενο χώρο του βραχίονα στήριξης. Προσέξτε να μην καταστραφούν και να μην αποσυνδεθούν τα καλώδια. (Εικ. 8).



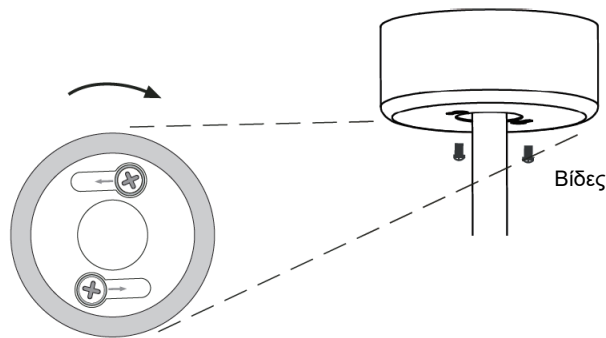


This fan is suitable for indoor and alfresco areas where the fan is fully undercover with a minimum of 2 walls. This fan is not waterproof. When installed in an alfresco area, the ceiling fan must be positioned in a location protected from water, wind, dust and salt. Exposure to these elements will void the warranty. Mounting the fan in a situation where it is subject to water or moisture is dangerous.

ΟΛΟΚΛΗΡΩΣΗ ΤΗΣ ΕΓΚΑΤΑΣΤΑΣΗΣ

ΕΓΚΑΤΑΣΤΑΣΗ ΡΟΖΕΤΑΣ (Εικ. 9)

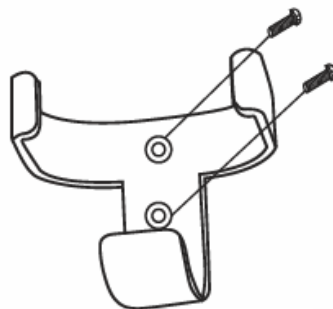
1. Βεβαιωθείτε ότι τα καλώδια γείωσης έχουν συνδεθεί σωστά και με ασφάλεια, διεξάγοντας δοκιμή συνέχειας γείωσης από το προσβάσιμο μεταλλικό σώμα του ανεμιστήρα προς την πλακέτα σύνδεσης ακροδεκτών του βραχίονα στήριξης.
2. Χαλαρώστε τις 2 βίδες στο κάτω μέρος του βραχίονα στήριξης.
3. Ωθήστε τη ροζέτα πάνω στο βραχίονα στήριξης και ευθυγραμμίστε τις οπές πάνω στη ροζέτα με τις βίδες του βραχίονα στήριξης. Περιστρέψτε τη ροζέτα ώσπου να κουμπώσει στο στενό τμήμα των οπών, και ασφαλίστε την συσφίγγοντας τις δύο βίδες. Προσέξτε να μην προκαλέσετε ζημιά στα ηλεκτρικά καλώδια που συνδέσατε προηγουμένως.



Εικ. 9

ΤΟΠΟΘΕΤΗΣΗ ΤΟΥ ΣΤΗΡΙΓΜΑΤΟΣ ΓΙΑ ΤΟ ΤΗΛΕΧΕΙΡΙΣΤΗΡΙΟ (Εικ. 10)

1. Βρείτε έναν κατάλληλο τοίχο για να στερεώσετε το στήριγμα του τηλεχειριστηρίου με τις 2 βίδες. (Εικ. 10α).
2. Τοποθετήστε το τηλεχειριστήριο στη βάση. (Εικ. 10b)



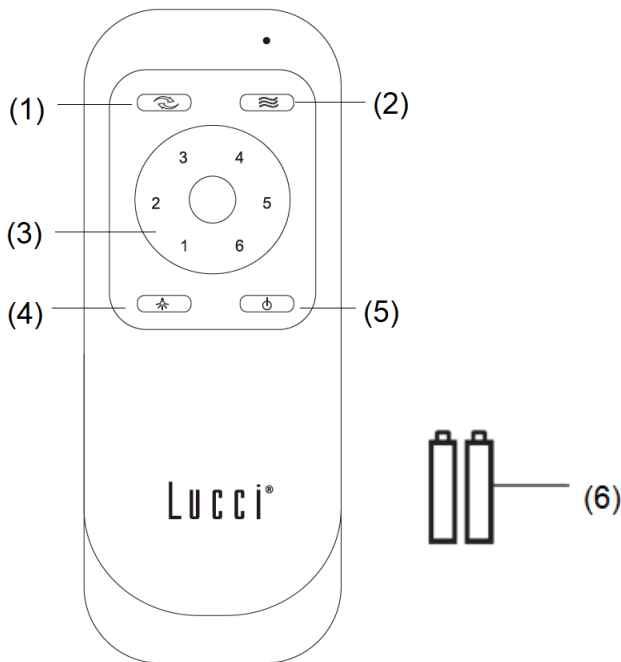
Εικ. 10α



Εικ. 10b

ΧΡΗΣΗ ΤΟΥ ΑΝΕΜΙΣΤΗΡΑ ΟΡΟΦΗΣ

ΤΗΛΕΧΕΙΡΙΣΤΗΡΙΟ (Εικ. 11)



- (1) Έλεγχος αναστροφής
- (2) Φυσικός αέρας (αυτόματος κύκλος ταχύτητας μεταξύ 1 και 6 του ανεμιστήρα)
- (3) Έλεγχος ταχύτητας
- (4) Ενεργοποίηση/Απενεργοποίηση φωτιστικού
- (5) Ενεργοποίηση/Απενεργοποίηση ανεμιστήρα
- (6) Μπαταρία 1,5 V AAA x 2 τμχ. (περιλαμβάνονται)

Εικ. 11

ΧΕΙΡΙΣΜΟΣ ΦΩΤΙΣΜΟΥ (Εικ. 11)

Ο λαμπτήρας GX53 LED διαθέτει ενσωματωμένο ροοστάτη 3 βαθμίδων.

- Αρχικά **ΕΝΕΡΓΟΠΟΙΗΣΤΕ** τη λυχνία LED με 100% φωτεινότητα - πατήστε το κουμπί λυχνίας (4) μια φορά στο τηλεχειριστήριο.
 - Πατήστε το κουμπί λυχνίας για να **ΑΠΕΝΕΡΓΟΠΟΙΗΣΕΤΕ** και μετά **ΕΝΕΡΓΟΠΟΙΗΣΤΕ** πάλι εντός 3 δευτερολέπτων για να ρυθμίσετε τη φωτεινότητα στο 50%.
 - Πατήστε το κουμπί λυχνίας για να **ΑΠΕΝΕΡΓΟΠΟΙΗΣΕΤΕ** και μετά **ΕΝΕΡΓΟΠΟΙΗΣΤΕ** πάλι εντός 3 δευτερολέπτων για να ρυθμίσετε τη φωτεινότητα στο 20%.
- (Εάν το άναμμα και το σβήσιμο του φωτισμού δεν επιτευχθεί εντός 3 δευτερολέπτων, ο λαμπτήρας θα επανέλθει σε φωτεινότητα 100%).


ΣΥΖΕΥΞΗ ΤΗΛΕΧΕΙΡΙΣΤΗΡΙΟΥ ΚΑΙ ΔΕΚΤΗ – ΟΤΑΝ ΕΧΕΙ ΕΓΚΑΤΑΣΤΑΘΕΙ 1 ΑΝΕΜΙΣΤΗΡΑΣ ΟΡΟΦΗΣ DC ΣΤΟ ΧΩΡΟ

ΣΗΜΕΙΩΣΗ: Βεβαιωθείτε ότι έχει εγκατασταθεί μονοπολικός διακόπτης αποσύνδεσης στη σταθερή καλωδίωση του ανεμιστήρα.

ΣΗΜΕΙΩΣΗ: Βεβαιωθείτε ότι έχετε ενεργοποιήσει το δέκτη πριν από τη σύζευξη του τηλεχειριστηρίου με το δέκτη.

- Απενεργοποιήστε την παροχή ρεύματος του ανεμιστήρα από τον επιτοίχιο διακόπτη ON/OFF.
- Τοποθετήστε τις μπαταρίες στο τηλεχειριστήριο. Βεβαιωθείτε ότι οι πόλοι της μπαταρίας είναι προσανατολισμένοι σωστά.



- Ενεργοποιήστε το δέκτη.
- Πατήστε και διατηρήστε πατημένο για 10 δευτερόλεπτα το κουμπί «» του τηλεχειριστηρίου, εντός 30 δευτερολέπτων από τη στιγμή που θα ενεργοποιήσετε το δέκτη του ανεμιστήρα οροφής.
- Θα ακουστεί ένας ήχος «μπιπ» από το δέκτη, επιβεβαιώνοντας ότι η διαδικασία σύζευξης είναι επιτυχής.
- Ενεργοποιήστε τον ανεμιστήρα οροφής και αλλάξτε την ταχύτητα του ανεμιστήρα από το τηλεχειριστήριο, για να ελέγξετε εάν λειτουργεί σωστά και έχει γίνει σωστά η σύζευξη.


ΣΥΖΕΥΞΗ ΤΗΛΕΧΕΙΡΙΣΤΗΡΙΟΥ ΚΑΙ ΔΕΚΤΗ – ΟΤΑΝ ΕΧΟΥΝ ΕΓΚΑΤΑΣΤΑΘΕΙ 2 Ή ΠΕΡΙΣΣΟΤΕΡΟΙ ΑΝΕΜΙΣΤΗΡΕΣ ΟΡΟΦΗΣ DC ΣΤΟΝ ΙΔΙΟ ΧΩΡΟ

Εάν υπάρχουν δύο ή περισσότεροι ανεμιστήρες οροφής σε κοντινή μεταξύ τους απόσταση, ενδεχομένως να θελήσετε ξεχωριστή σύζευξη του τηλεχειριστηρίου/δέκτη για κάθε ανεμιστήρα, ώστε η λειτουργία του ενός ανεμιστήρα να μην επηρεάζει τη λειτουργία των υπολοίπων.

ΣΗΜΕΙΩΣΗ: Βεβαιωθείτε ότι έχει εγκατασταθεί μονοπολικός διακόπτης αποσύνδεσης στη σταθερή καλωδίωση του κάθε ανεμιστήρα.

ΣΗΜΕΙΩΣΗ: Βεβαιωθείτε ότι έχετε **ενεργοποιήσει** το δέκτη, πριν από τη σύζευξη του τηλεχειριστηρίου με το δέκτη.


Σύζευξη τηλεχειριστηρίου/δέκτη για ανεμιστήρα οροφής 1:

- Απενεργοποιήστε τους δέκτες και των δύο ανεμιστήρων οροφής 1 και 2.
- Τοποθετήστε τις μπαταρίες στο τηλεχειριστήριο. Βεβαιωθείτε ότι οι πόλοι της μπαταρίας είναι προσανατολισμένοι σωστά.
- Ενεργοποιήστε το δέκτη 1. Κρατήστε το δέκτη 2 απενεργοποιημένο. (Κάθε ανεμιστήρας πρέπει να διαθέτει ξεχωριστό διακόπτη απομόνωσης, έτσι ώστε να είναι ενεργοποιημένος μόνο ο ανεμιστήρας που πρέπει να συζευχθεί με το τηλεχειριστήριο).
- Πατήστε και διατηρήστε πατημένο για 10 δευτερόλεπτα το κουμπί «» του **τηλεχειριστηρίου 1**, εντός 30 δευτερολέπτων από τη στιγμή που θα ενεργοποιήσετε το δέκτη του ανεμιστήρα οροφής 1.
- Θα ακουστεί ένας ήχος «μπιπ» από το δέκτη, επιβεβαιώνοντας ότι η διαδικασία σύζευξης είναι επιτυχής.
- Ενεργοποιήστε τον ανεμιστήρα οροφής και αλλάξτε την ταχύτητα του ανεμιστήρα 1 από το τηλεχειριστήριο, για να ελέγξετε εάν λειτουργεί σωστά και έχει γίνει σωστά η σύζευξη.

Σύζευξη τηλεχειριστηρίου/δέκτη για ανεμιστήρα οροφής 2:

- Απενεργοποιήστε τους δέκτες και των δύο ανεμιστήρων οροφής 1 και 2.
- Τοποθετήστε τις μπαταρίες στο τηλεχειριστήριο. Βεβαιωθείτε ότι οι πόλοι της μπαταρίας είναι προσανατολισμένοι σωστά.
- Ενεργοποιήστε το δέκτη 2. Κρατήστε το δέκτη 1 απενεργοποιημένο. (Κάθε ανεμιστήρας πρέπει να διαθέτει ξεχωριστό διακόπτη απομόνωσης, έτσι ώστε να είναι ενεργοποιημένος μόνο ο ανεμιστήρας που πρέπει να συζευχθεί με το τηλεχειριστήριο).



- Πατήστε και διατηρήστε πατημένο για 10 δευτερόλεπτα το κουμπί «» του **τηλεχειριστηρίου 2**, εντός 30 δευτερολέπτων από τη στιγμή που θα ενεργοποιήσετε το δέκτη του ανεμιστήρα οροφής 2.
- Θα ακουστεί ένας ήχος «μπιππ» από το δέκτη, επιβεβαιώνοντας ότι η διαδικασία σύζευξης είναι επιτυχής.
- Ενεργοποιήστε τον ανεμιστήρα οροφής και αλλάξτε την ταχύτητα του ανεμιστήρα 2 από το τηλεχειριστήριο, για να ελέγξετε εάν λειτουργεί σωστά και έχει γίνει σωστά η σύζευξη.

ΑΠΟΚΑΤΑΣΤΑΣΗ ΤΗΣ ΣΥΖΕΥΞΗΣ ΔΕΚΤΗ ΚΑΙ ΤΗΛΕΧΕΙΡΙΣΤΗΡΙΟΥ

Εάν χαθεί η σύζευξη μεταξύ δέκτη και τηλεχειριστηρίου μετά την εγκατάσταση ή κατά τη διάρκεια λειτουργίας του ανεμιστήρα, θα πρέπει να αποκαταστήσετε τη σύζευξη. Παρακάτω αναφέρονται οι ενδείξεις απόζευξης και η μέθοδος αποκατάστασης της σύζευξης ανάμεσα στο τηλεχειριστήριο και τον δέκτη του ανεμιστήρα οροφής DC.

Προβλήματα:

- Απώλεια σύζευξης – Ο ανεμιστήρας λειτουργεί μόνο στην υψηλή ταχύτητα μετά την εγκατάσταση.
- Απώλεια σύζευξης – Ο ανεμιστήρας δε λειτουργεί αντίστροφα μετά την εγκατάσταση.
- Απώλεια σύζευξης – Το τηλεχειριστήριο δεν επικοινωνεί με το δέκτη.

Αντιμετώπιση:

- Αποσυνδέστε τον ανεμιστήρα οροφής από την παροχή ρεύματος.
- Συνδέστε τον ανεμιστήρα οροφής στην παροχή ρεύματος. Ακολουθήστε την ίδια διαδικασία με εκείνη που περιγράφεται στην ενότητα «Σύζευξη τηλεχειριστηρίου και δέκτη» για να αποκαταστήσετε τη λειτουργία του ανεμιστήρα σας.
- Ενεργοποιήστε και επιλέξτε διαφορετική ταχύτητα στον ανεμιστήρα οροφής για να ελέγξετε τη λειτουργία του.

ΚΑΤΟΠΙΝ ΕΓΚΑΤΑΣΤΑΣΗΣ

ΣΗΜΕΙΩΣΗ: Οι ανεμιστήρες οροφής έχουν την τάση να κινούνται κατά τη διάρκεια της λειτουργίας επειδή είναι στερεωμένοι πάνω σε ελαστική ροδέλα. Αν ο ανεμιστήρας ήταν στερεωμένος στην οροφή επάνω σε άκαμπτα στοιχεία, αυτό θα προκαλούσε υπερβολικές δονήσεις. Η μετακίνηση κατά μερικά εκατοστά είναι αποδεκτή και ΔΕΝ συνιστά πρόβλημα.

ΓΙΑ ΝΑ ΠΕΡΙΟΡΙΣΕΤΕ ΤΟΝ ΚΛΥΔΩΝΙΣΜΟ ΤΟΥ ΑΝΕΜΙΣΤΗΡΑ: Βεβαιωθείτε ότι όλες οι βίδες που συγκρατούν το βραχίονα στήριξης και την κάθετη ράβδο είναι καλά συσφιγμένες.

ΚΙΤ ΕΞΙΣΟΡΡΟΠΗΣΗΣ: Παρέχεται ένα κιτ εξισορρόπησης του ανεμιστήρα οροφής κατά την αρχική εγκατάσταση. Ανατρέξτε στις οδηγίες για να μάθετε πώς χρησιμοποιείται το κιτ εξισορρόπησης. Μπορείτε να χρησιμοποιήσετε το κιτ εξισορρόπησης για να ρυθμίσετε ξανά τον ανεμιστήρα εάν αρχίσει να γέρνει εκ νέου. Μετά την εγκατάσταση, φυλάξτε το κιτ εξισορρόπησης για μελλοντική χρήση.



ΘΟΡΥΒΟΣ:

Όταν επικρατεί ησυχία (ιδιαίτερα τη νύχτα), ενδέχεται να ακούσετε σποραδικά μικρούς θορύβους. Μικρές διακυμάνσεις της έντασης ρεύματος και παρεμβολές σημάτων συχνότητας στο ηλεκτρικό κύκλωμα θέρμανσης νερού εκτός ωρών αιχμής μπορεί να αλλάξουν το θόρυβο του μοτέρ του ανεμιστήρα. Αυτό είναι φυσιολογικό. Περιμένετε ένα 24ωρο ώσπου να εξομαλυνθεί η λειτουργία του ανεμιστήρα. Οι περισσότεροι θόρυβοι που ακούγονται όταν λειτουργεί για πρώτη φορά ο ανεμιστήρας θα εξαφανιστούν μετά από αυτό το διάστημα. Η εγγύηση του κατασκευαστή καλύπτει πραγματικά σφάλματα που μπορεί να παρουσιαστούν και ΟΧΙ παράπονα ή σονος σημασίας, όπως ο ήχος λειτουργίας του μοτέρ – όλοι οι ηλεκτρικοί κινητήρες εκπέμπουν κάποιο θόρυβο.

ΦΡΟΝΤΙΔΑ ΚΑΙ ΚΑΘΑΡΙΣΜΟΣ

ΣΗΜΕΙΩΣΗ: Απενεργοποιείτε πάντοτε τον ανεμιστήρα από το διακόπτη προτού να πραγματοποιήσετε εργασίες συντήρησης ή καθαρισμού.

- Η μόνη συντήρηση που απαιτεί ο ανεμιστήρας οροφής είναι ο περιοδικός καθαρισμός του κάθε 6 μήνες. Χρησιμοποιήστε μια μαλακή βούρτσα ή ένα πανί που δεν αφήνει χνούδι για να μη χαράξετε τη βαφή. Απενεργοποιείτε πάντοτε τον ανεμιστήρα από το διακόπτη πριν τον καθαρισμό.
- Μη μουλιάζετε και μη βυθίζετε τον ανεμιστήρα οροφής σε νερό ή άλλα υγρά. Μπορεί να υποστεί ζημιά το μοτέρ ή τα πτερύγια, ενώ αυξάνεται ο κίνδυνος ηλεκτροπληξίας.
- Προσέξτε να μην έρθει σε επαφή ο ανεμιστήρας με οργανικούς διαλύτες ή καθαριστικά.
- Για να καθαρίσετε τα πτερύγια του ανεμιστήρα, χρησιμοποιείτε μόνο ένα καθαρό νωπό πανί, χωρίς οργανικούς διαλύτες ή καθαριστικά.
- Το μοτέρ περιλαμβάνει ένσφαιρο έδρανο μόνιμης λίπανσης, οπότε δεν απαιτεί λίπανση.

ΠΡΟΦΥΛΑΞΕΙΣ ΑΣΦΑΛΕΙΑΣ ΓΙΑ ΤΗΝ ΜΠΑΤΑΡΙΑ

- **ΠΡΟΕΙΔΟΠΟΙΗΣΗ** – Φυλάσσετε τις νέες και τις χρησιμοποιημένες μπαταρίες μακριά από παιδιά.
- **ΠΡΟΣΟΧΗ** – Μην καταπίνετε τις μπαταρίες - Κίνδυνος χημικού εγκαύματος.
- Χρησιμοποιείτε πάντα 2 μπαταρίες τύπου AAA με αυτό το τηλεχειριστήριο του ανεμιστήρα οροφής.
- Τοποθετήστε τις μπαταρίες με τη σωστή πολικότητα.
- Για να μην τεθεί κατά λάθος σε λειτουργία ο ανεμιστήρας κατά την εισαγωγή ή την αντικατάσταση των μπαταριών, πρέπει να αποσυνδέσετε τον ανεμιστήρα οροφής από την παροχή ρεύματος.
- Αφαιρείτε τις μπαταρίες από το προϊόν, εφόσον δεν πρόκειται να χρησιμοποιηθεί για μεγάλο διάστημα.
- Οι μπαταρίες πρέπει να αφαιρούνται από το τηλεχειριστήριο προτού το απορρίψετε.
- Απορρίψτε τις χρησιμοποιημένες μπαταρίες αμέσως και με ασφάλεια (έτσι ώστε να μην μπορούν να τις βρουν τα παιδιά). Οι άδειες μπαταρίες παραμένουν επικίνδυνες. Επικοινωνήστε με την τοπική δημοτική αρχή σχετικά με την ασφαλή απόρριψη της μπαταρίας.
- Ελέγχετε τακτικά το προϊόν για να βεβαιωθείτε ότι το καπάκι της θήκης μπαταριών είναι καλά ασφαλισμένο. Εάν δεν κλείνει καλά το καπάκι της θήκης μπαταριών, σταματήστε να χρησιμοποιείτε το προϊόν και φυλάξτε το μακριά από τα παιδιά.
- Εάν πιστεύετε ότι κάποιος έχει καταπιεί μπαταρίες ή έχει τοποθετήσει μπαταρίες σε οποιοδήποτε μέρος του σώματός του, απευθυνθείτε αμέσως σε γιατρό.



ΤΕΧΝΙΚΑ ΧΑΡΑΚΤΗΡΙΣΤΙΚΑ

Ανεμιστήρας	Ανεμιστήρας 56" – Atlanta
Μοντέλα ανεμιστήρα / Αρ. SKU	LD-56" ATL / SKU# 213182, 213183
Ονομαστική τάση	220-240V~ 50Hz
Ονομαστική ισχύς (μοτέρ)	42W
Τεχνικά χαρακτηριστικά φωτιστικού με LED (περιλαμβάνεται με τον ανεμιστήρα)	Τύπος: GX53, Ισχύς: Μέγ. 12W, τύπος διαβάθμισης φωτισμού: Εναλλαγή 3 βημάτων, CCT: 3000K, Απόδοση φωτεινότητας: 100% - 1100lm, 50% - 550lm, 20% - 220lm. Φωτιστικό LED Gx53 SKU# 121354
Μπαταρία τηλεχειριστηρίου	2 x AAA (περιλαμβάνονται)
Βάρος	6,8 κιλά
Διαστάσεις ροζέτας	Υ: 51 χιλ. Διάμ.: 140 χιλ.

ΠΛΗΡΟΦΟΡΙΕΣ ΕΓΓΥΗΣΗΣ

ΣΤΗΝ ΕΥΡΩΠΗ – Εάν είστε πελάτης από την Ευρώπη, απευθυνθείτε στο κατάστημα λιανικής όπου αγοράσατε τον ανεμιστήρα, για σέρβις στο πλαίσιο της εγγύησης.

