

# Moon Pendant

*Design by* VERNER PANTON

*Please read thoroughly before assembly*

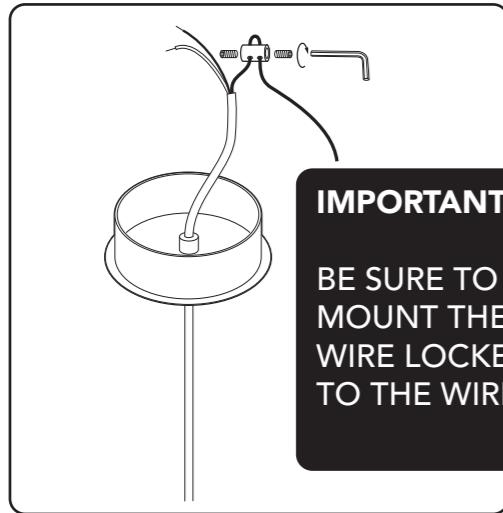
1

**IMPORTANT!**

ALWAYS TURN OFF THE ELECTRICAL CURRENT BEFORE INSTALLING ANY FIXTURE!

MAKE SURE THE MOUNTING BRACKET IS FIRMLY FIXED.

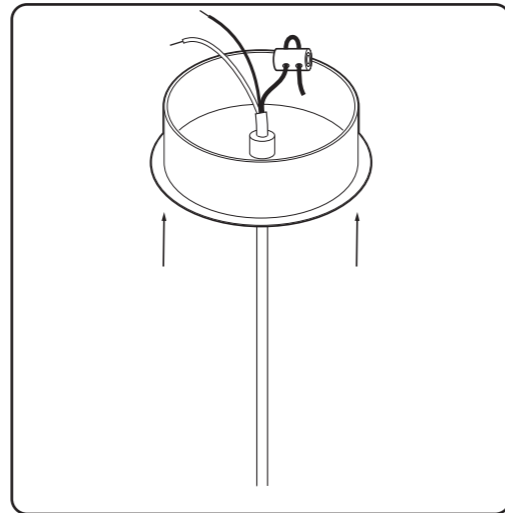
2



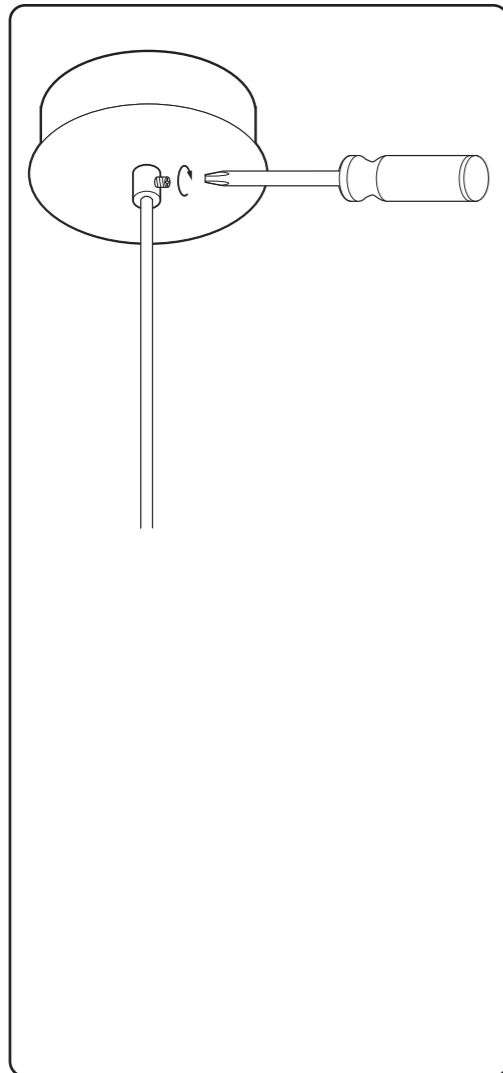
**IMPORTANT!**

BE SURE TO MOUNT THE WIRE LOCKER TO THE WIRE!

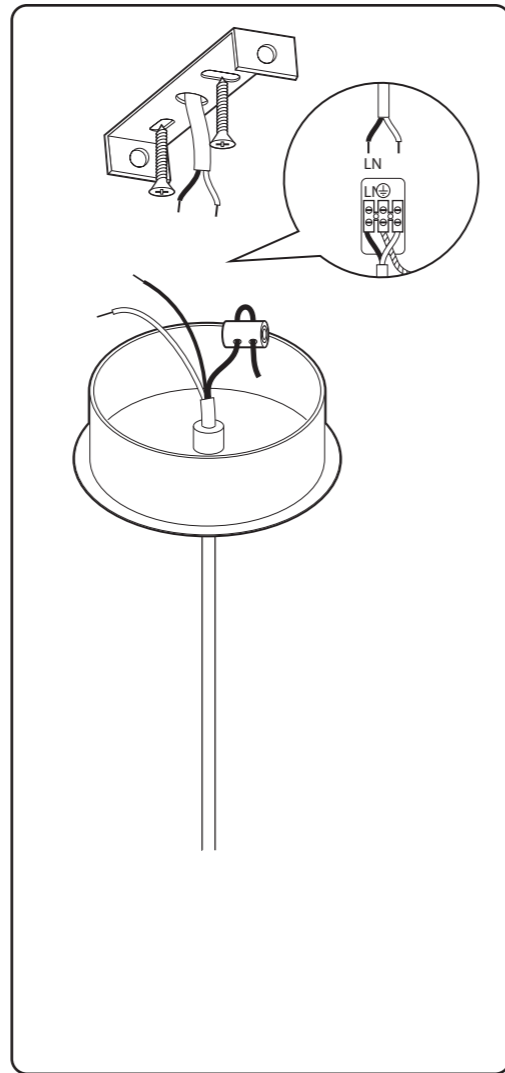
3



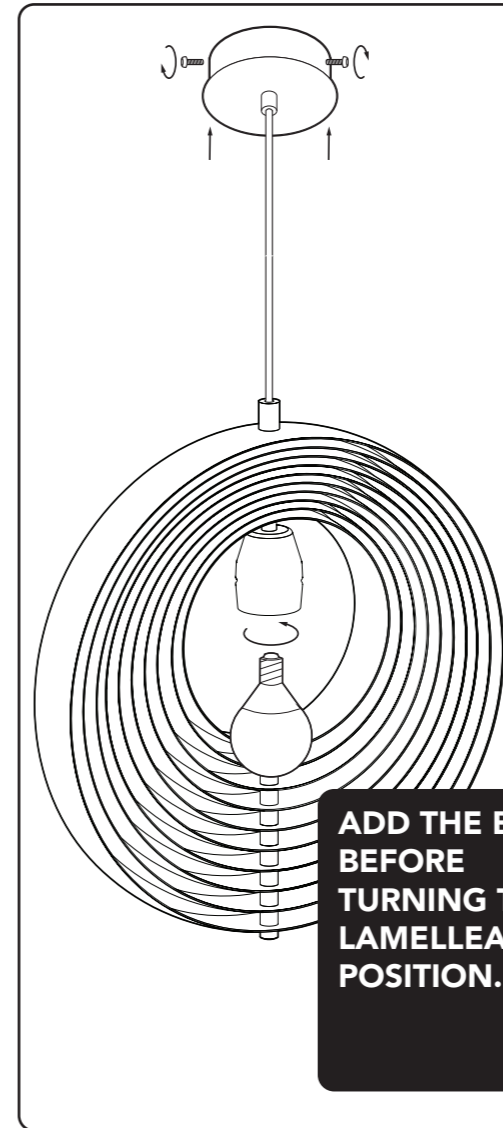
4



5

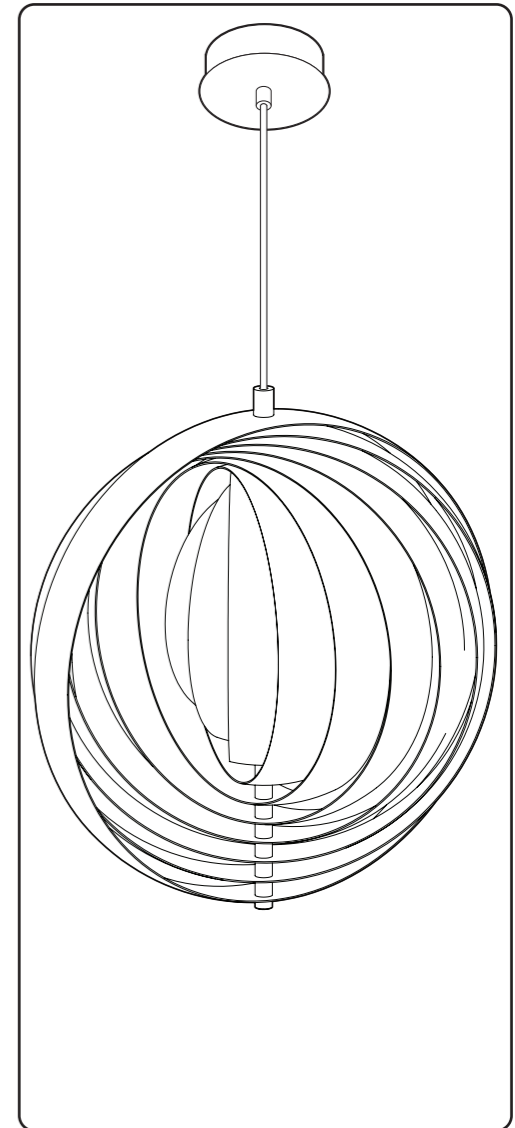


6



**ADD THE BULB BEFORE TURNING THE LAMELLEA IN POSITION.**

7



**MOUNTING THE TOP PART TO THE CEILING:**

- CONNECT THE WIRE TO THE TERMINAL BLOCK
- WIRE L: LIVE
- WIRE N: NEUTRAL
- GROUNDING WIRE IN THE MIDDLE
- SLIDE THE CANOPY TO THE CEILING. TIGHTEN SCREWS.
- TIGHTEN THE CANOPY TO THE MOUNTING BRACKET

**HOW TO CLEAN**

Clean with a soft cloth, warm water and a mild detergent. Do NOT use any abrasive materials.

IF THE EXTERNAL FLEXIBLE CABLE OR CORD OF THIS LUMINAIRE IS DAMAGED, IT SHALL BE EXCLUSIVELY REPLACED BY A QUALIFIED PERSON IN ORDER TO AVOID A HAZARD.

DESIGNED  
IN THE PAST  
**MADE FOR**  
**TOMORROW**

VERPAN ApS  
*Egeskovvej 29*  
8700 Horsens  
Denmark

[www.verpan.com](http://www.verpan.com)

[info@verpan.com](mailto:info@verpan.com)