

**Safety Instructions**

1, 2, 3, 4, 5, 6, 7, 10, 12, 15, 16  
17, 18, 19, 20, 24, 28, 33, 34



**Info Hotline**



+49 (0) 5041 998 389

Mon.- Do. 7<sup>00-20<sup>00</sup></sup>  
Fr. 7<sup>00-17<sup>00</sup></sup>

Paulmann Licht GmbH  
Quezinger Feld 2  
31832 Springe  
Germany

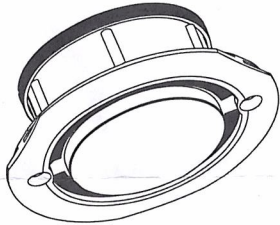
www.paulmann.com

Art.-Nr.:  
937.40  
937.41  
937.42  
937.43  
937.44  
937.45

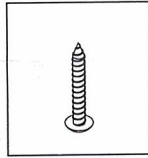
(+MA 0326)PKE 08/16



937.40  
937.41

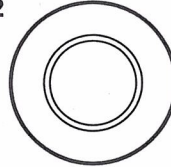


1x



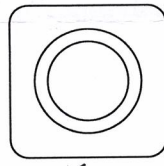
incl.

937.42



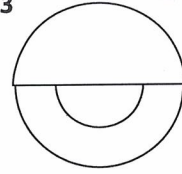
1x

937.44



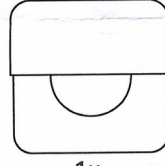
1x

937.43

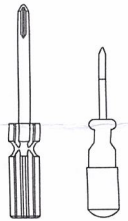


1x

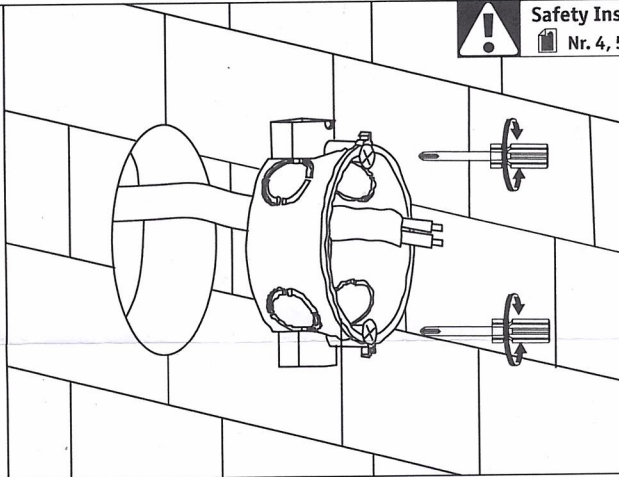
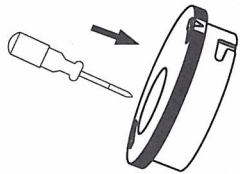
937.45



1x

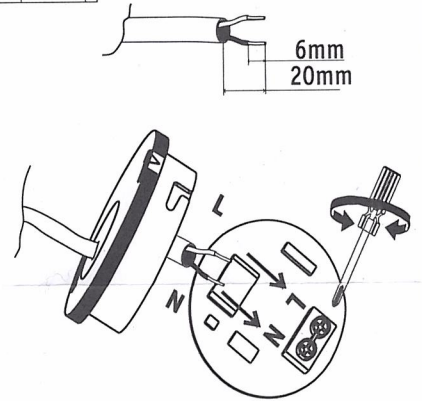


**A**

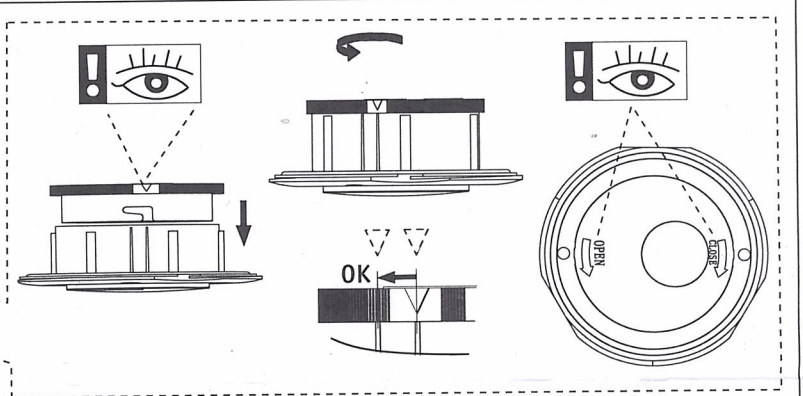
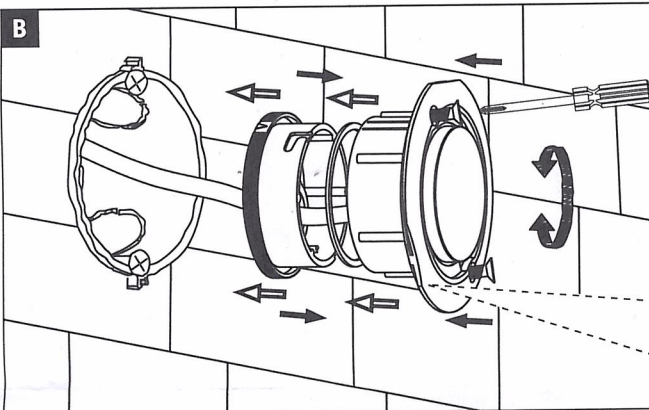


**Safety Instructions**

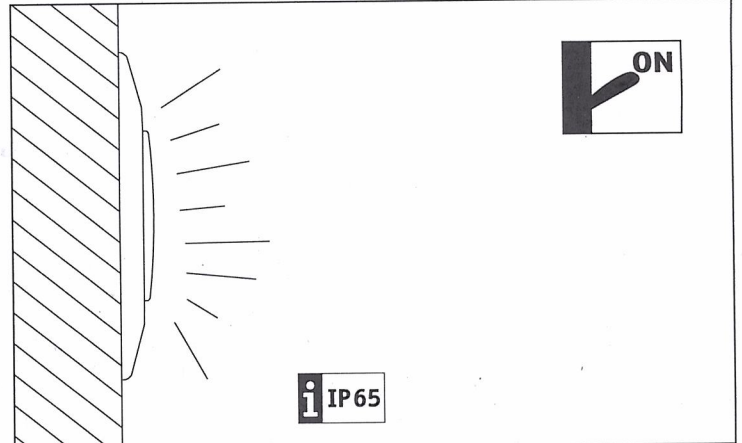
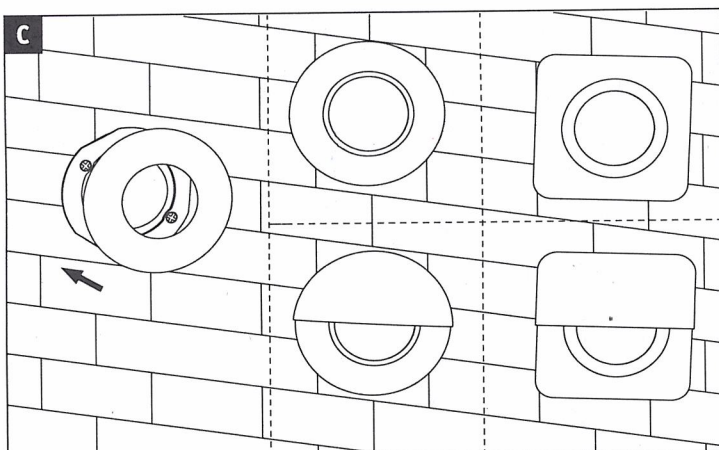
Nr. 4, 5, 6, 7, 19, 20



**B**



**C**



**i** IP65