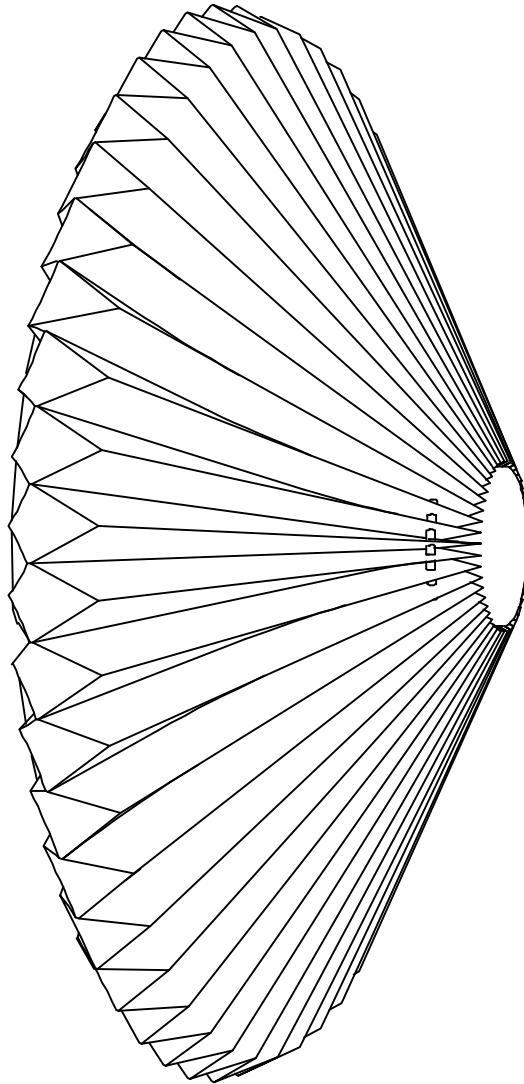


# INSTRUCTION MANUAL

Model:PARIS LOFT Ø50

halo  
design  
COPENHAGEN



230V.G9 MAX 4\*7W LED

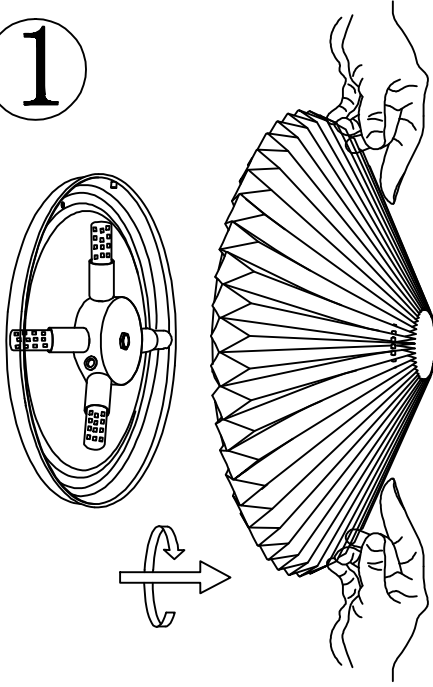


# INSTRUCTION MANUAL

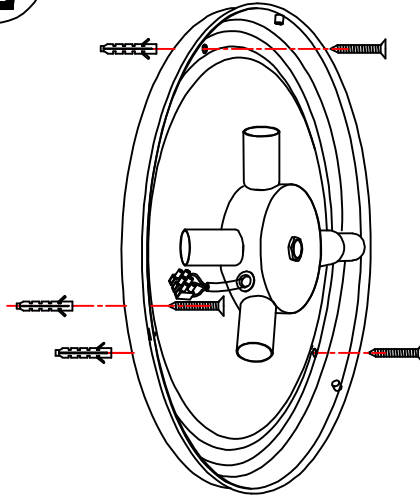
1. Follow the instruction sketch  
Følg instruktionen på tegningen
2. Make sure power is OFF on the outlet, before beginning the installation  
Sikr dig at strømmen er slukket, inden du påbegynder installationen
3. Insert the light bulb  
Isæt lyskilden
4. Go through point 1 to 2 before connecting the lamp to the power  
Gennemgå punkt 1 og 2, inden du tilslutter lampen til strømuttaget

Design and import by Halo Design, Gammelgårdsvej 85, DK-3520 Farum

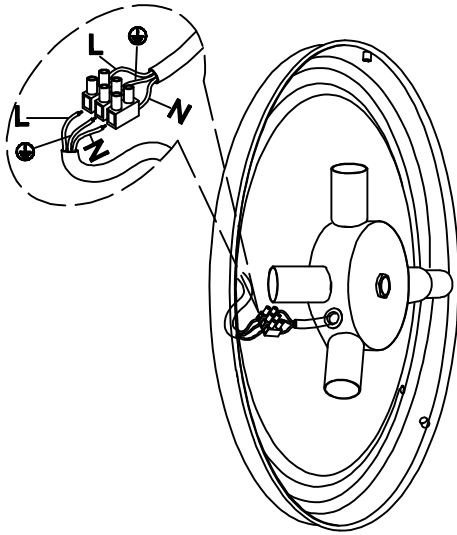
1



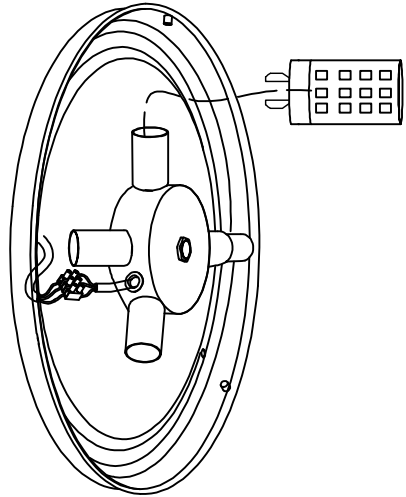
2



3



4



5

