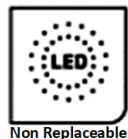


# searchlight

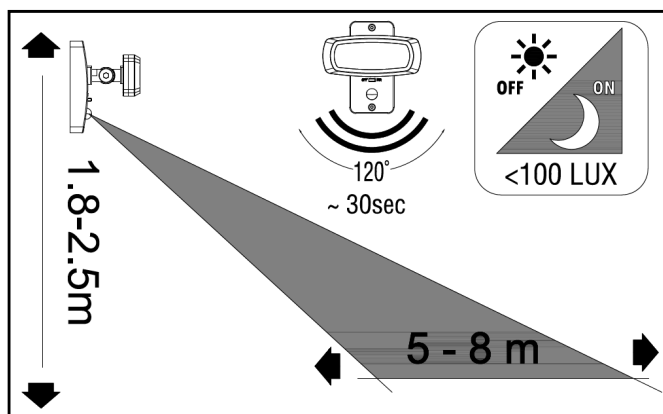
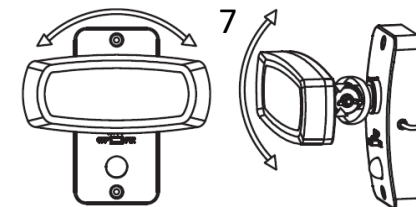
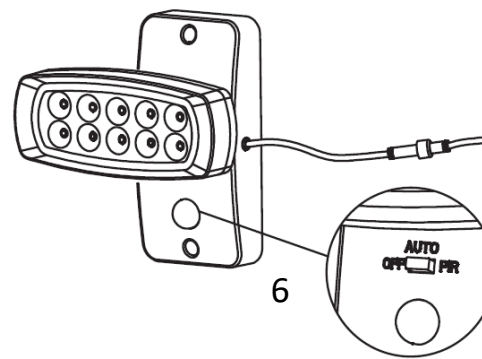
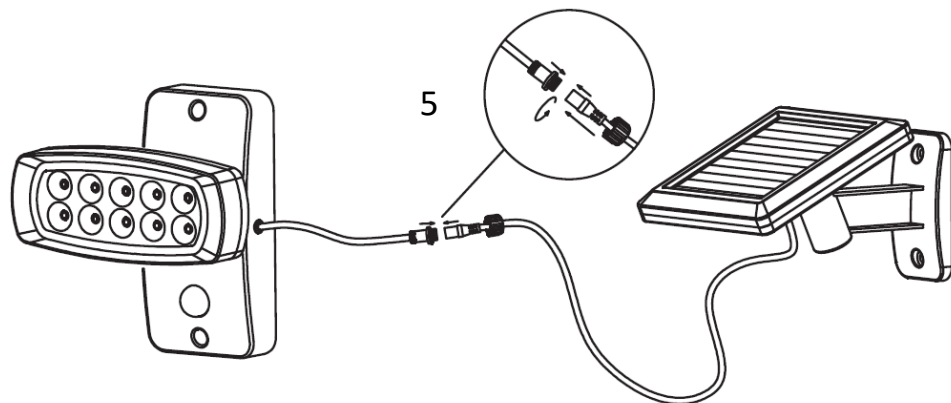
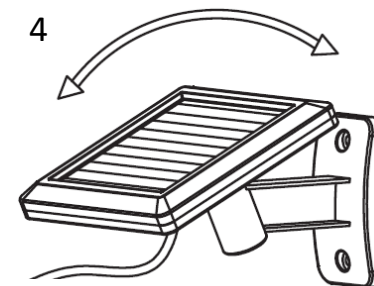
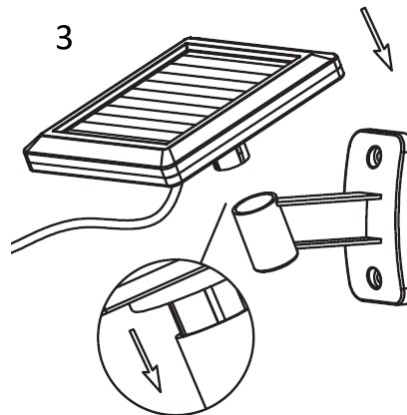
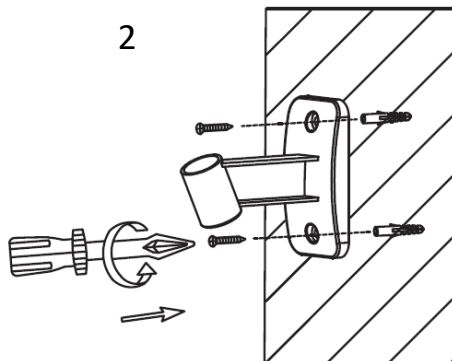
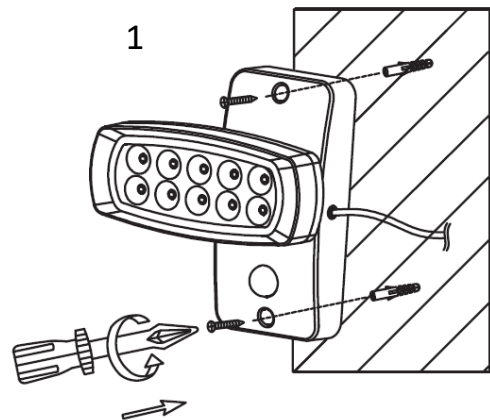
## 67423



### IP44



Q.C APPROVED  
23/02/2023  
ISSUE 1



### BATTERIES REPLACEMENT

