

VENN 2.0 phase-cut dim

11-Jul.-2019

2.0

LED 47W | 220-240VAC | 50-60Hz | PCB 3-step | phase-cut dim

CE IP20 0.3m

White texture 149284W_

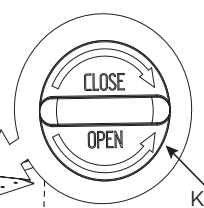
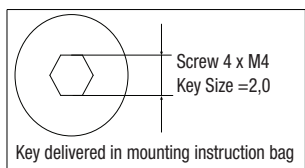
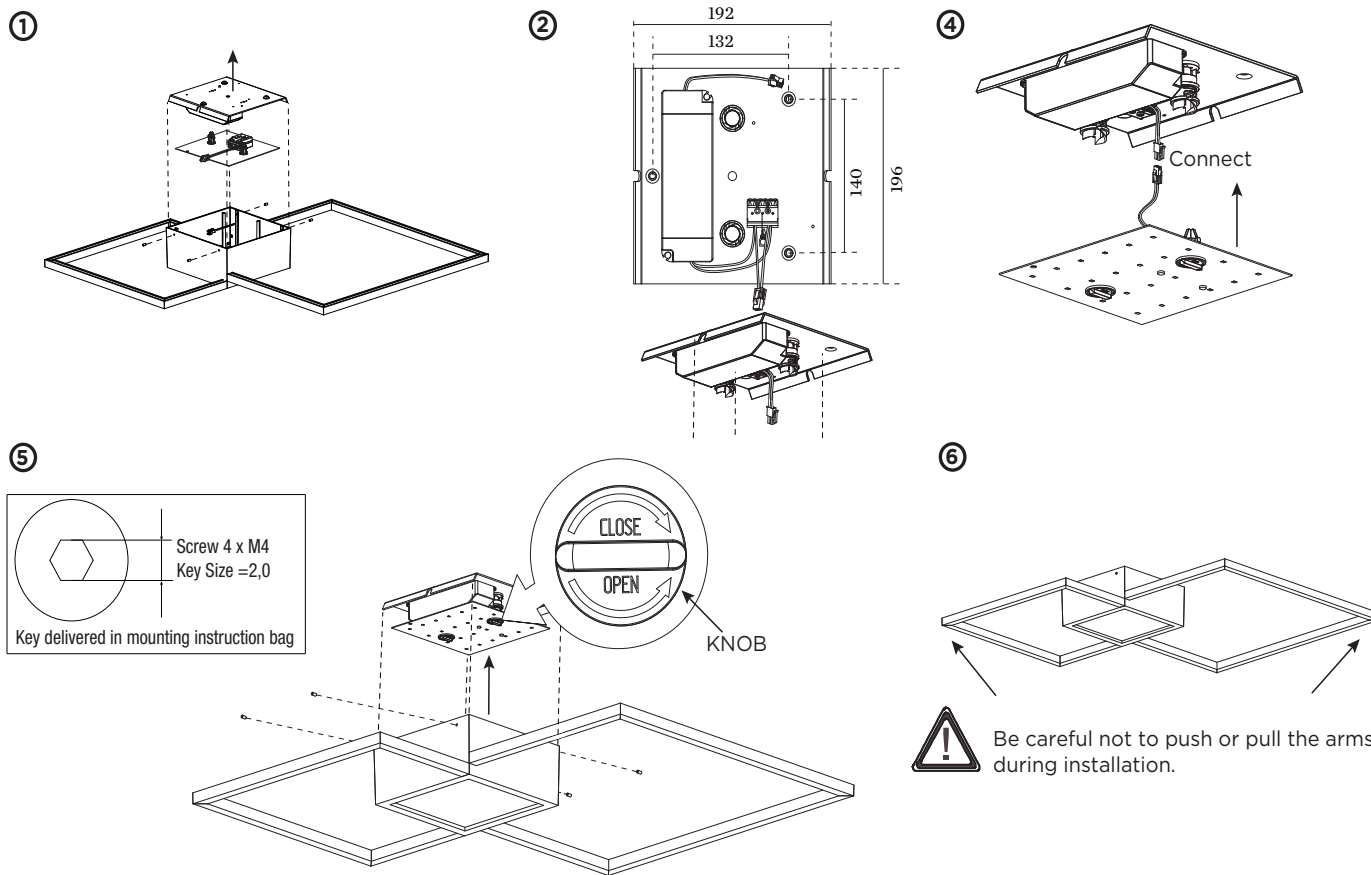
Black texture 149284B_

Bronze 149284Q_

LIGHT COLOUR

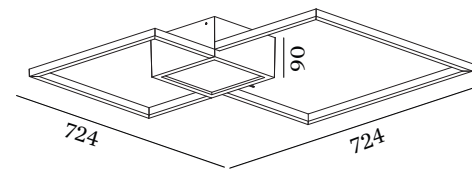
2700K | >80CRI | direct 370lm, indirect 2100lm 2

3000K | >80CRI | direct 400lm, indirect 2250lm 4



! Be careful not to push or pull the arms during installation.

DIMENSIONS

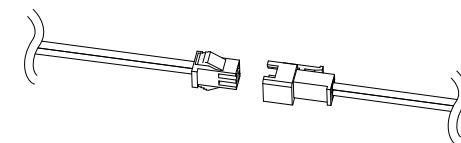
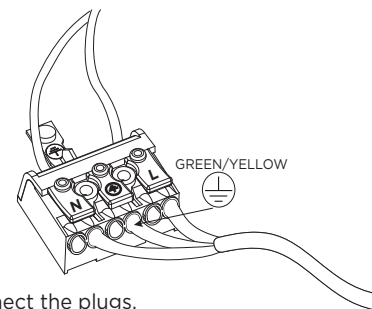


MOUNTING PLATE FIXATION

- 1 Remove the mounting plate & PCBA combination and twist the two knobs (SEE DRAWING 5) of PCBA to **open** to separate them.
- 2 Fixate the mounting plate to the wall/ceiling with screws.

POWER CONNECTION

- 3 Connect the terminal block.



- 4 Connect the PCBA on the mounting plate and twist the two knobs to **close**.
- 5 Fixate the lamp base back to the mounting plate.
- 6 Complete

VENN 2.0

DETAILED MOUNTING INSTRUCTION

11-Jul.-2019

DETAILED DIMENSIONS VENN:

