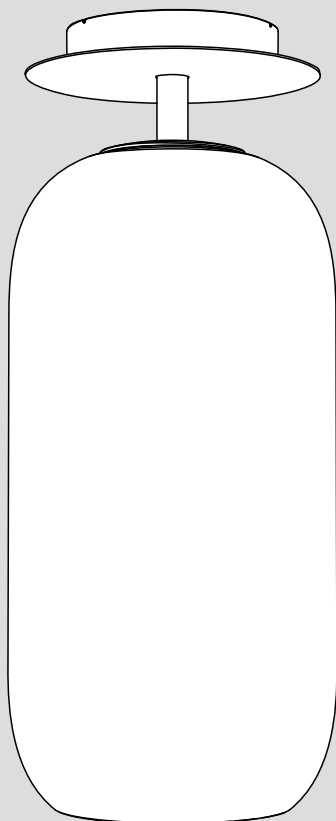


# Artemide®

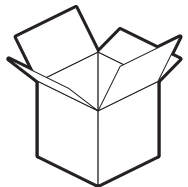
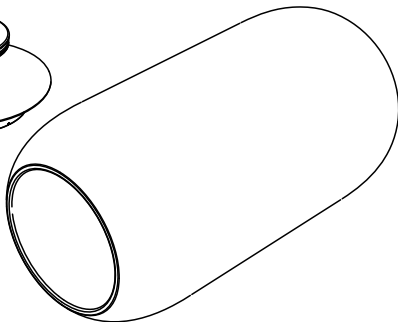
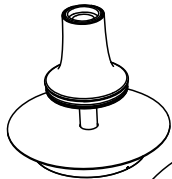
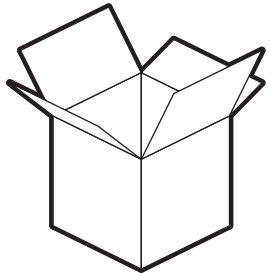
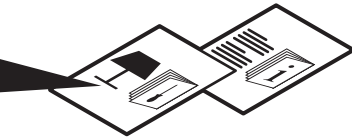
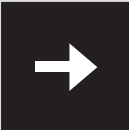
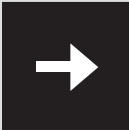
## Gople Lamp

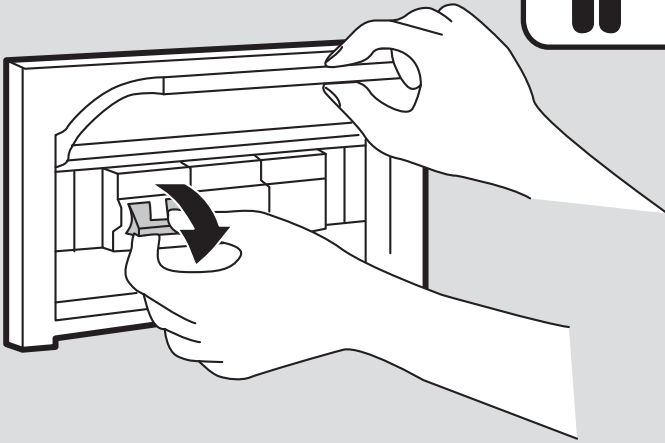
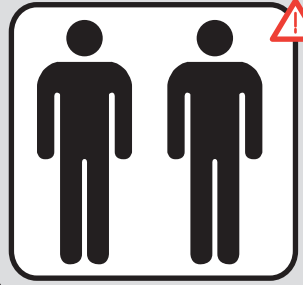
design  
**BIG**



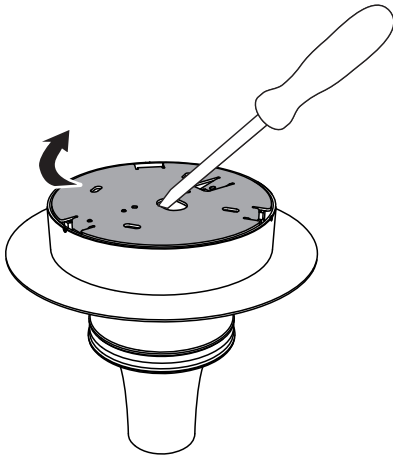


i

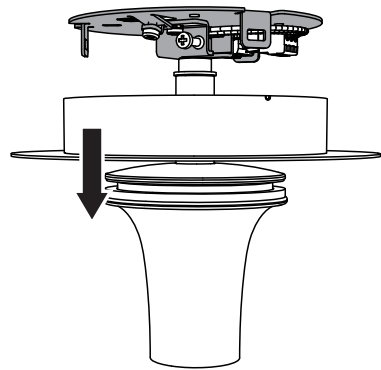




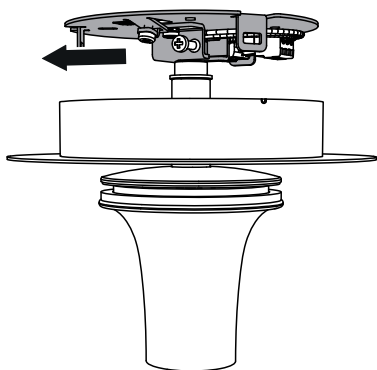
1



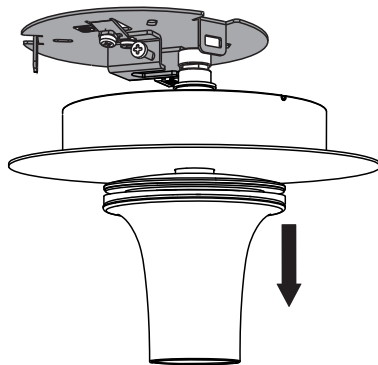
2



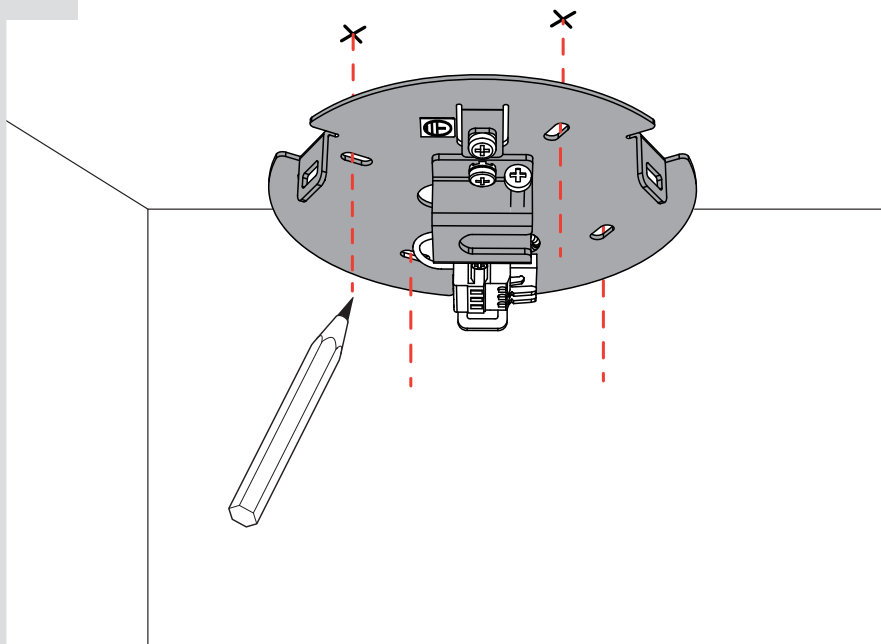
3



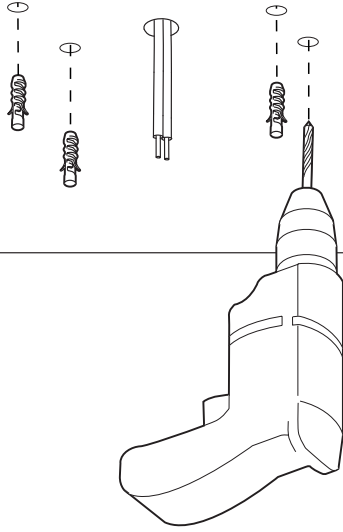
4



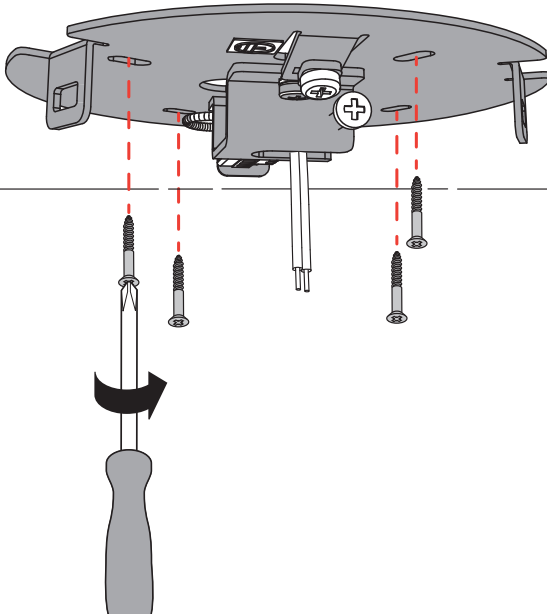
5



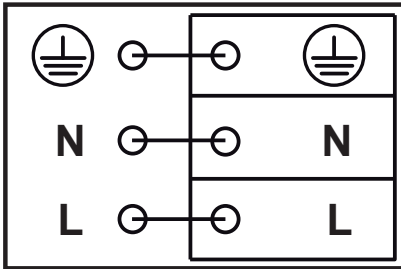
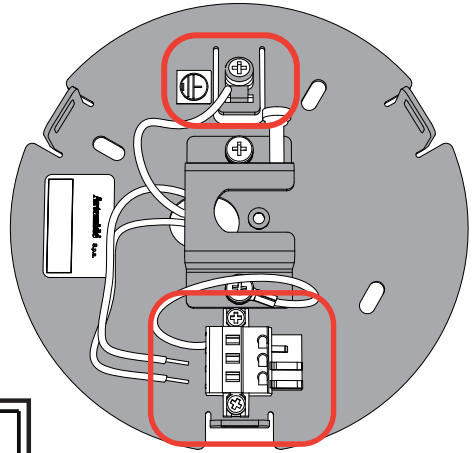
6



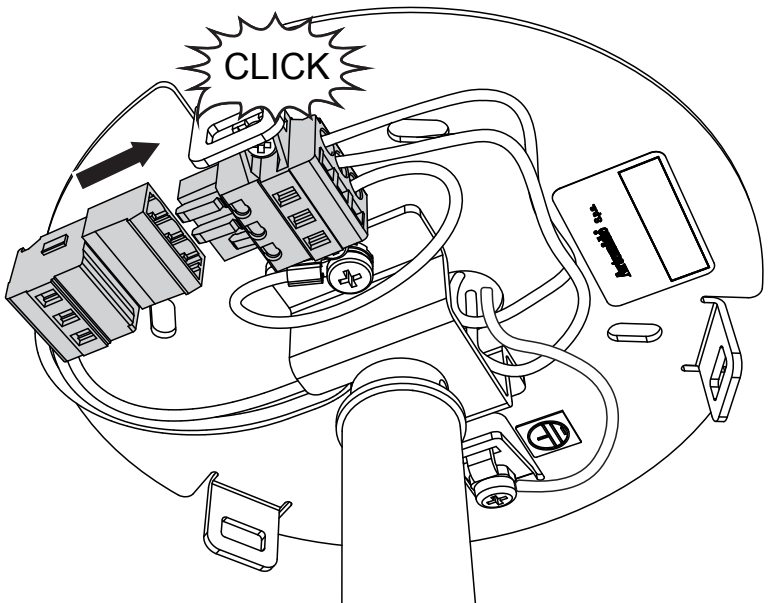
7



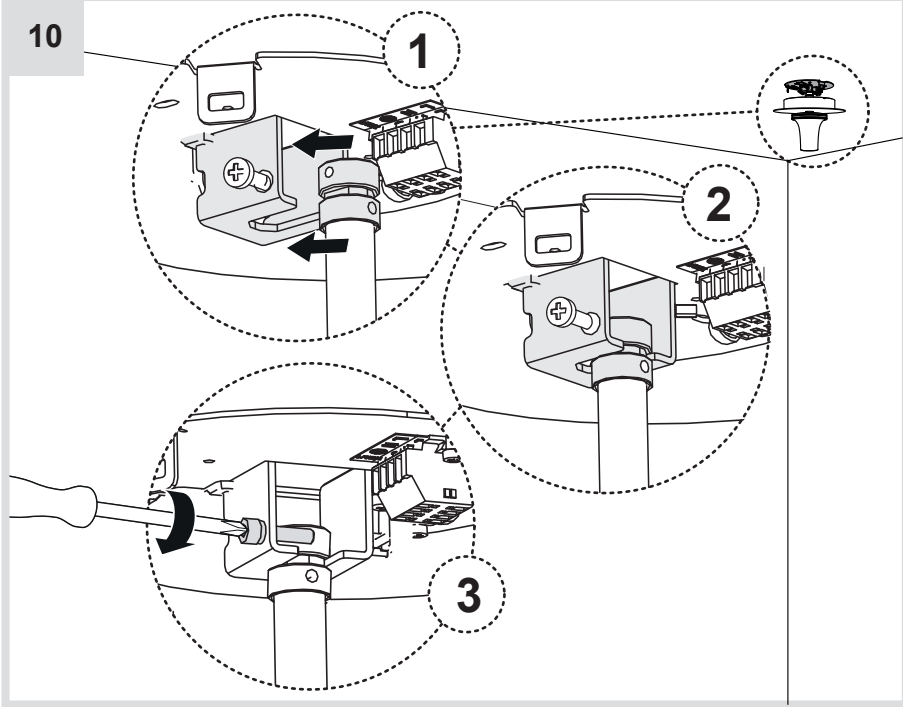
8



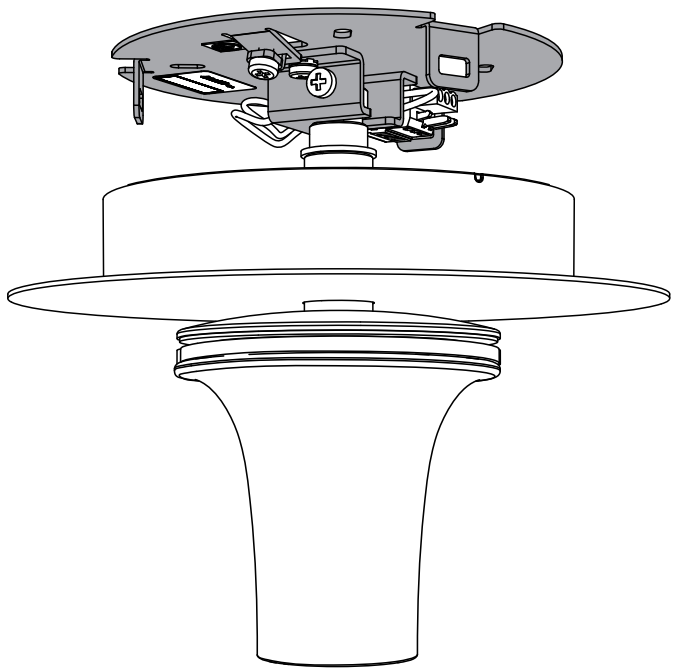
9



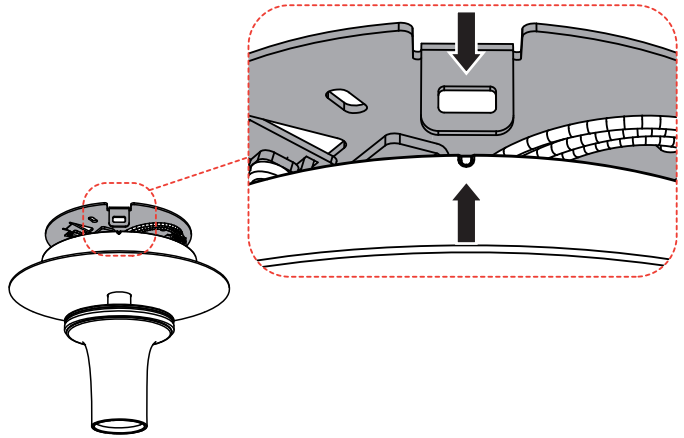
10



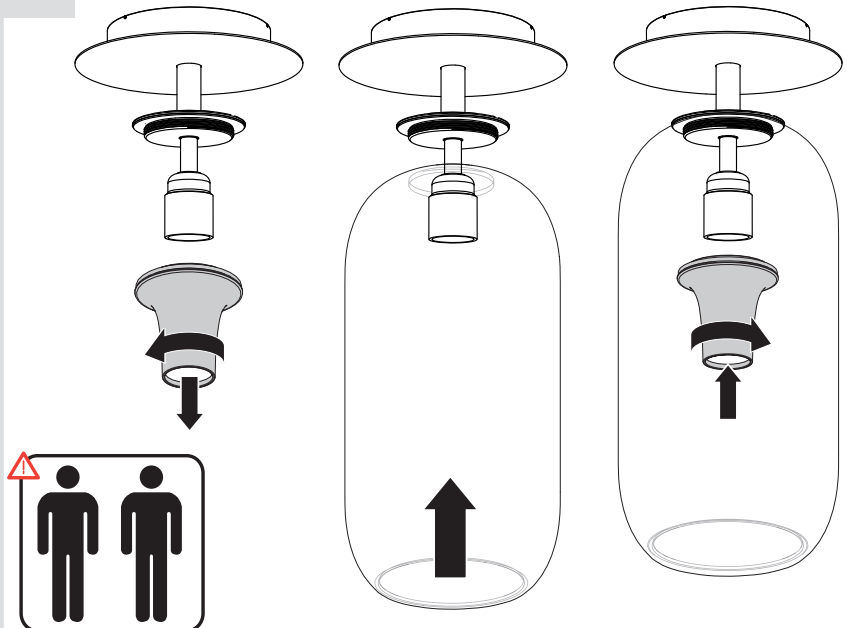
11



12

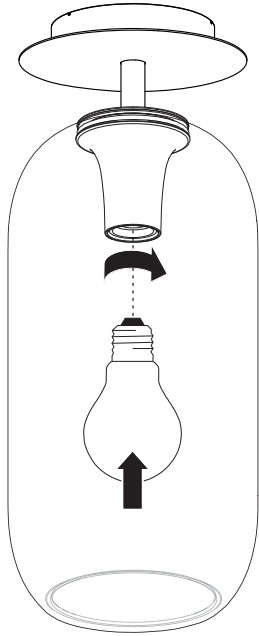


13

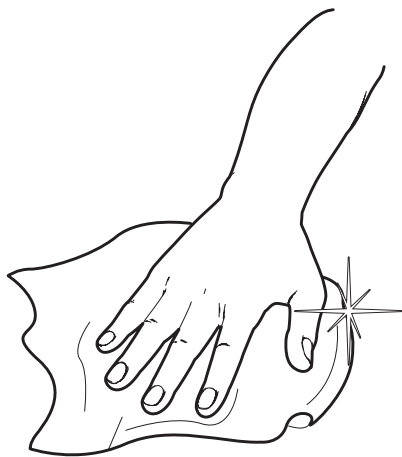




14

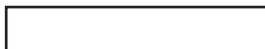


**Max 20W LED E27**





**Artemide®**



## **Artemide**

via Bergamo, 18  
20010 Pregnana M.se (MI)  
ITALIA

tel. +39 02 935 181  
fax +39 02 935 90 254  
fax +39 02 935 90 496

[www.artemide.com](http://www.artemide.com)

VAT IT00846890150

cod. Y513001090