

# CHARLOTTE BOLLARD

BY DORIANA AND MASSIMILIANO FUKSAS



## CHARLOTTE BOLLARD

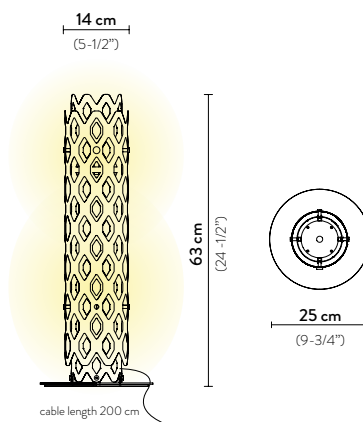
**Light Source:** 4.2W - 220~230 Vac - 500 Lumen - 3.000 Kelvin - Integrated Bidirectional LED


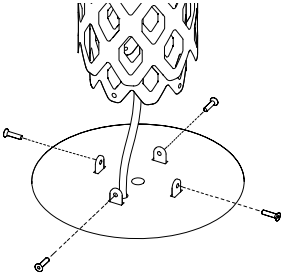

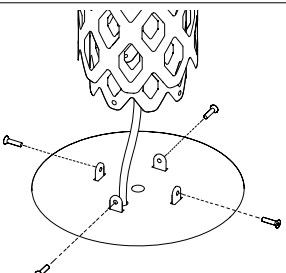

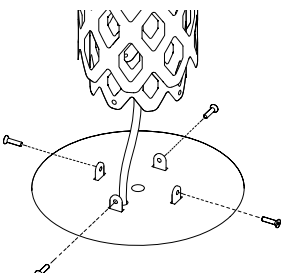
**Dimmable:** not dimmable

**Materials:** Cataphoresis treated-powder-coated stainless steel

**Weight:** net 4,91 Kg - gross 6 Kg

**Packaging:** 31 x 31,5 x h. 74,5 cm



FINISH	PRODUCT CODE	DETAILS
 ANTHRACITE	<b>CHRBM00ANT000LDOUDEU</b>	
	ACCESSORIES GROUND SPIKE	
 CORTEN	<b>CHRBM00CRT000LDOUDEU</b>	
	ACCESSORIES GROUND SPIKE	
 LIGHT GREY	<b>CHRBM00LGR000LDOUDEU</b>	
	ACCESSORIES GROUND SPIKE	

# CHARLOTTE APPLIQUE BY DORIANA AND MASSIMILIANO FUKSAS



## CHARLOTTE APPLIQUE

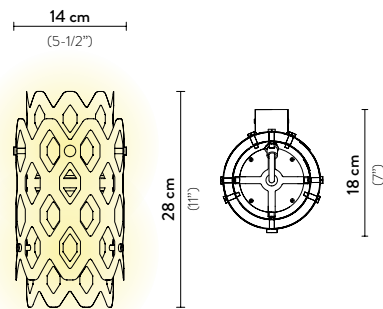
**Light Source:** 4.2W - 220~230 Vac - 500 Lumen - 3.000 Kelvin - Integrated Bidirectional LED


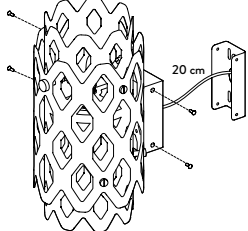

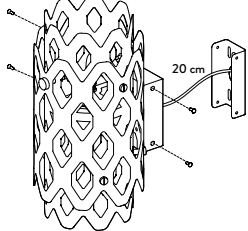

**Dimmable:** not dimmable

**Materials:** Cataphoresis treated-powder-coated stainless steel

**Weight:** net 1,55 Kg - gross 2,1 Kg

**Packaging:** 26 x 30 x h. 33,5 cm



FINISH	PRODUCT CODE	DETAILS
 ANTHRACITE	<b>CHRWM00ANT000LDOUDEU</b>	
 CORTEN	<b>CHRWM00CRT000LDOUDEU</b>	
 LIGHT GREY	<b>CHRWM00LGR000LDOUDEU</b>	