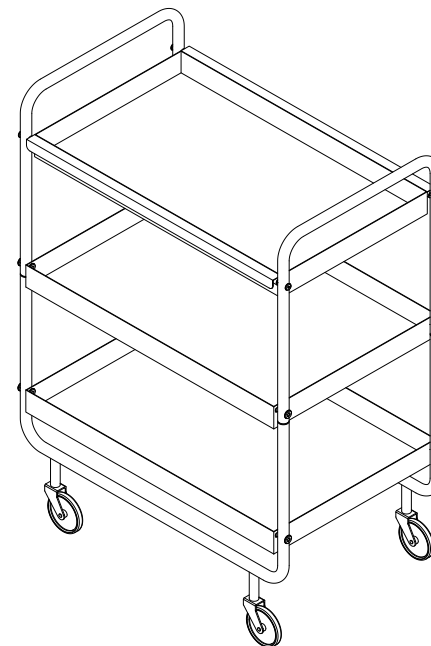


CLEANING

Clean with a soft, dry cloth. Do not use any detergent or chemicals when cleaning the product.

TECHNICAL DATA

Load capacity:
3kg / 6.6lb per shelf.



Read before use

USER GUIDE



house doctor

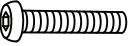




House Doctor A/S
subsidiary of Society of Lifestyle, Industrivej 29, 7430 Ikast, Denmark
c/o Krogh & Partners, 823 Salisbury House, London Wall, EC2M 5QQ London, UK
denmark@housedoctor.com, housedoctor.com

TROLLEY – HDROLL

900000968

house doctor

ASSEMBLY GUIDE

<p>A x 4</p> 	<p>B x 8</p> 	<p>C x 8</p> 
<p>D x 2</p> 	<p>E x 4</p> 	<p>F x 2</p> 