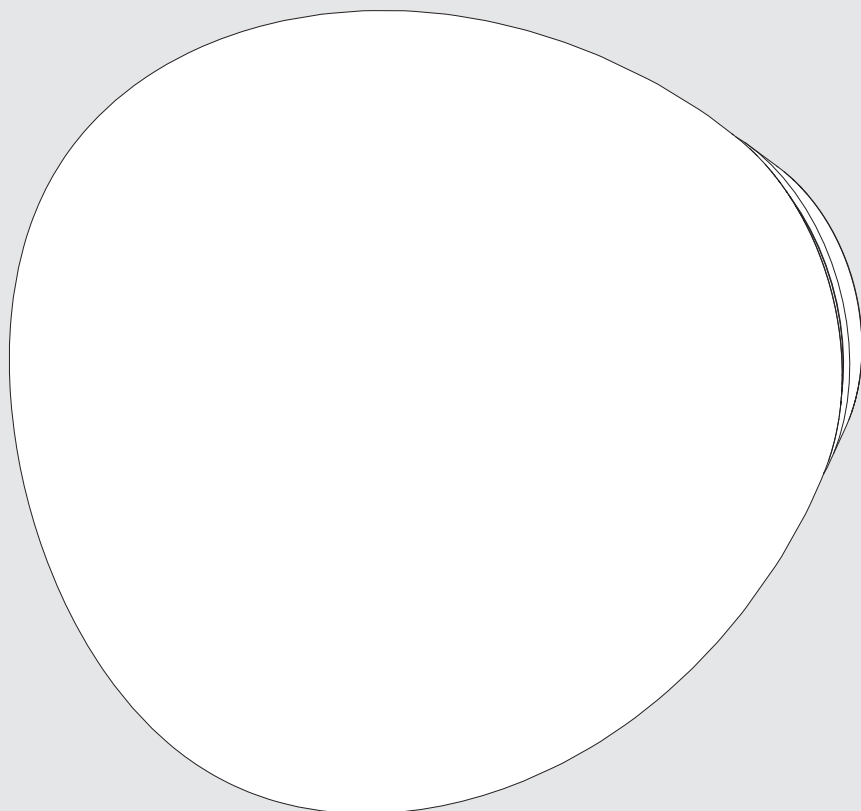


# Artemide®

## Empatia 26 - 36

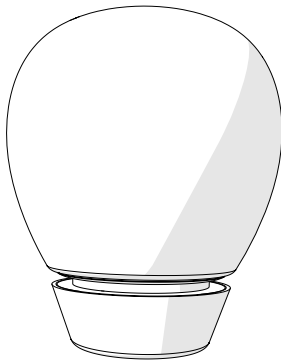
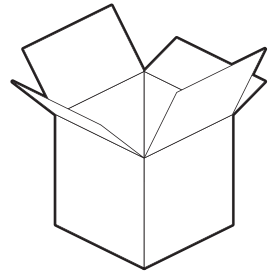
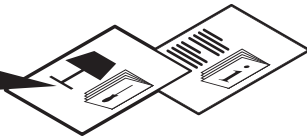
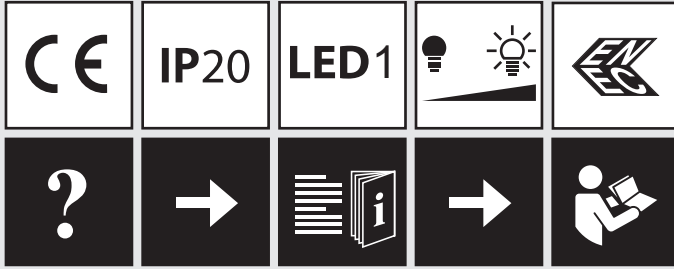
design

C. de Bevilacqua - P. di Arianello

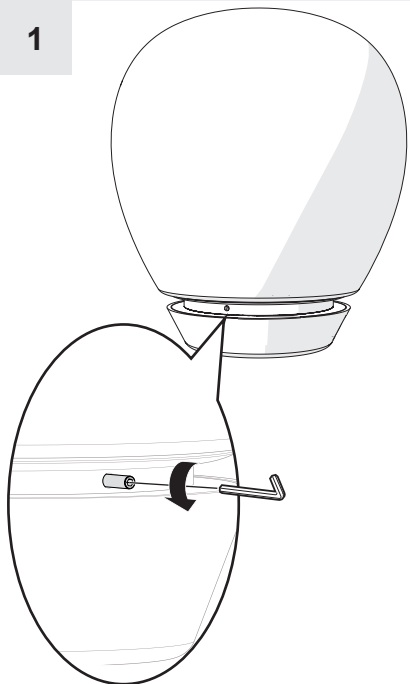




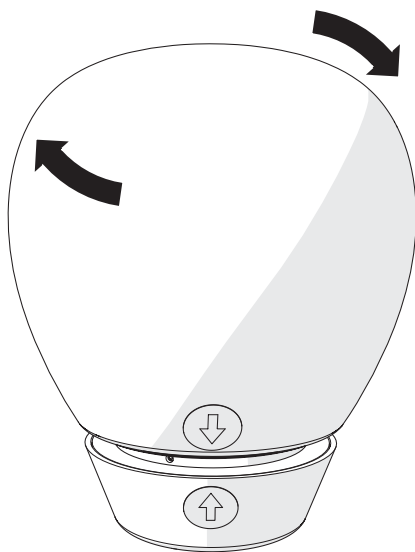
i



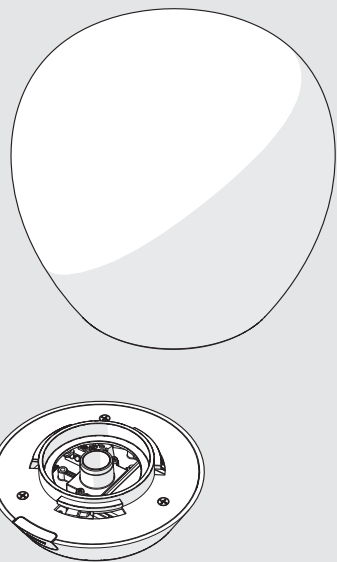
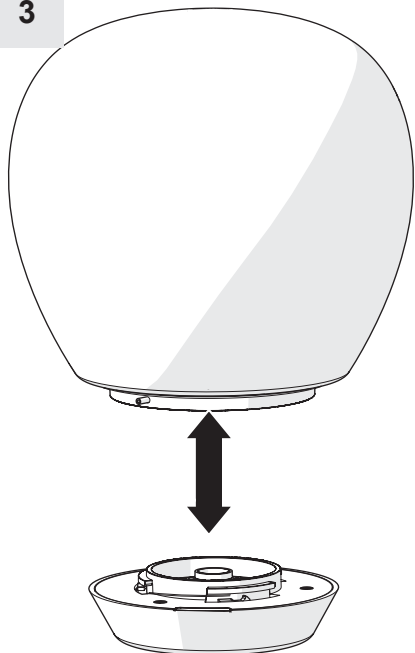
1

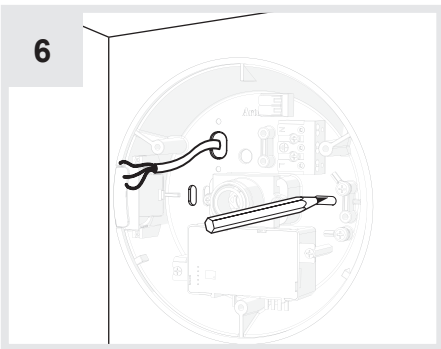
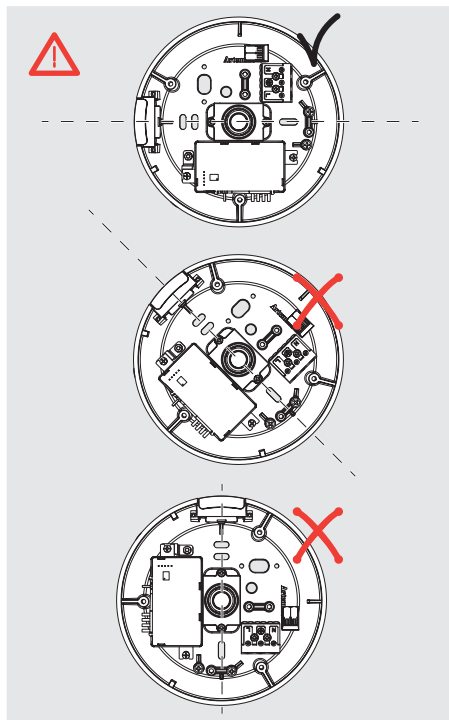
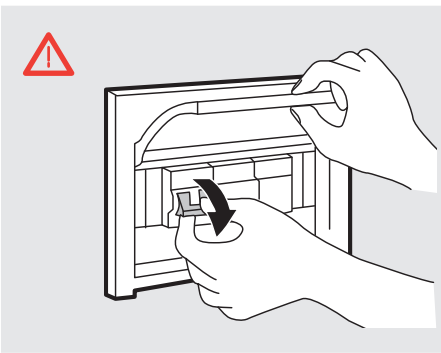
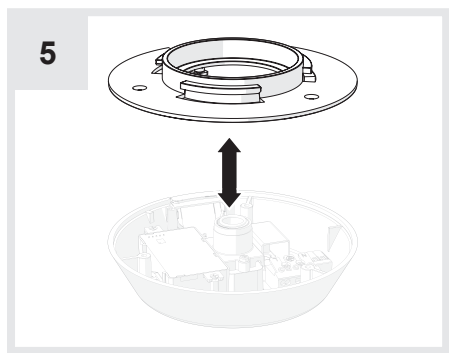
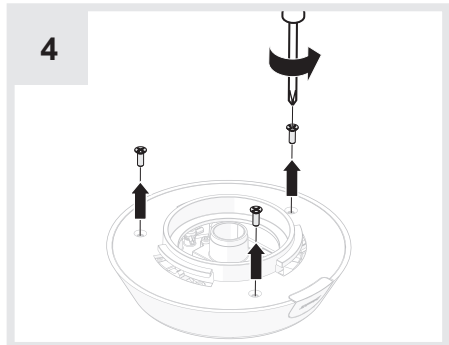
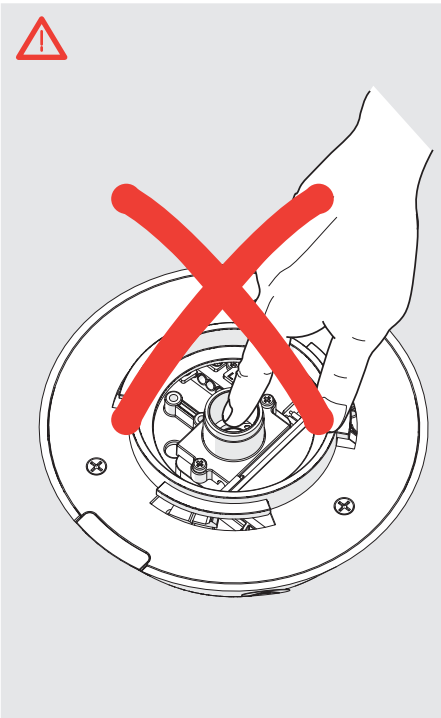


2



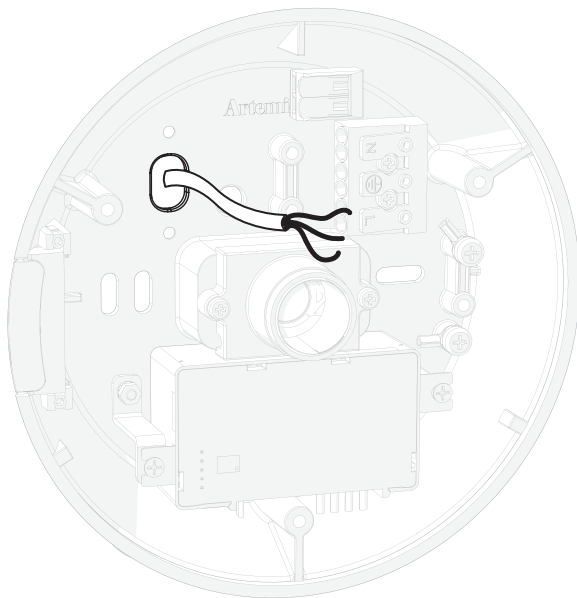
3



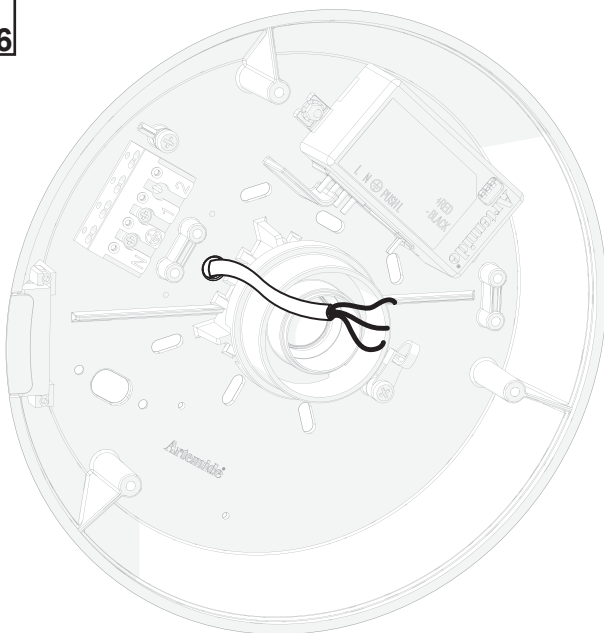


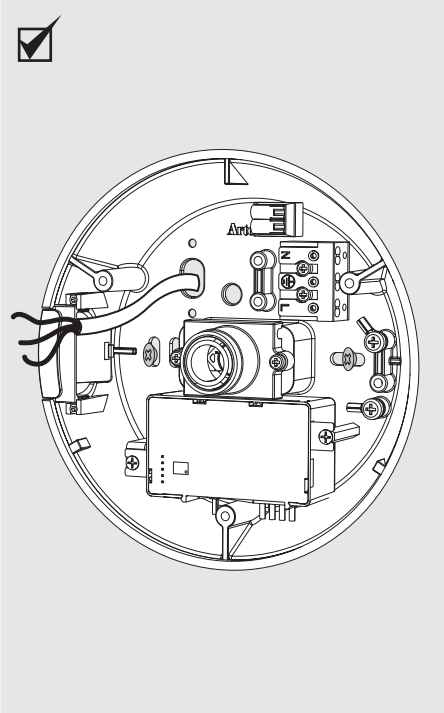
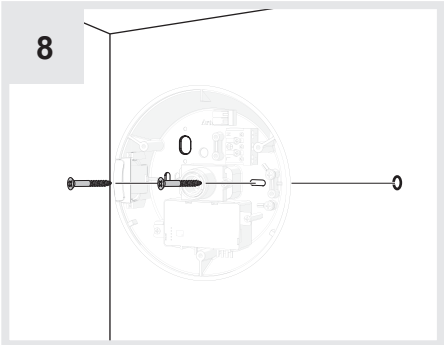
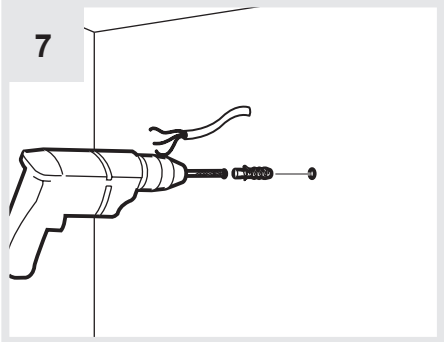


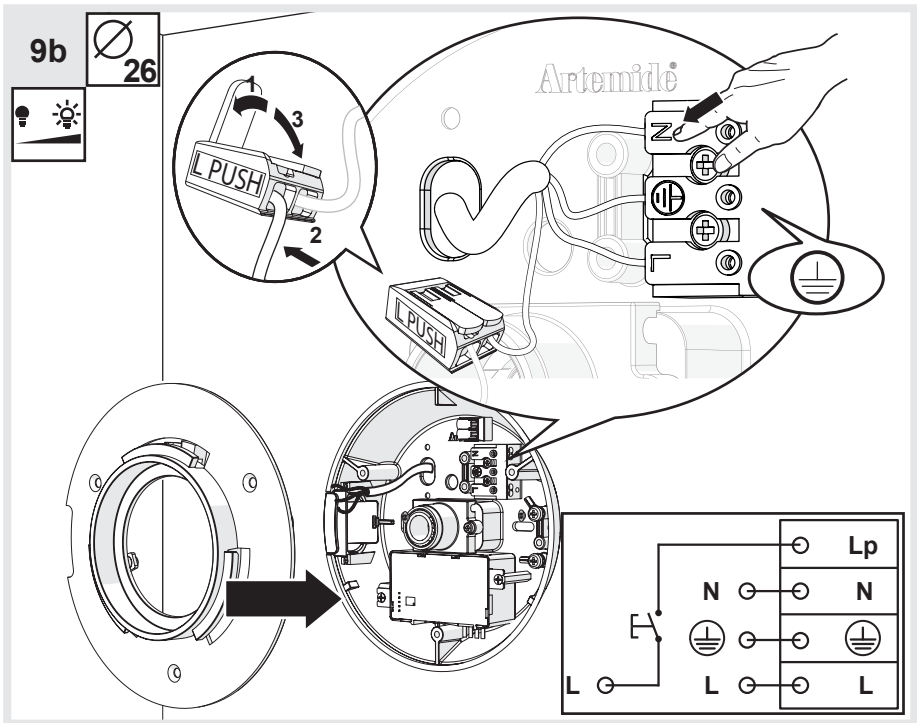
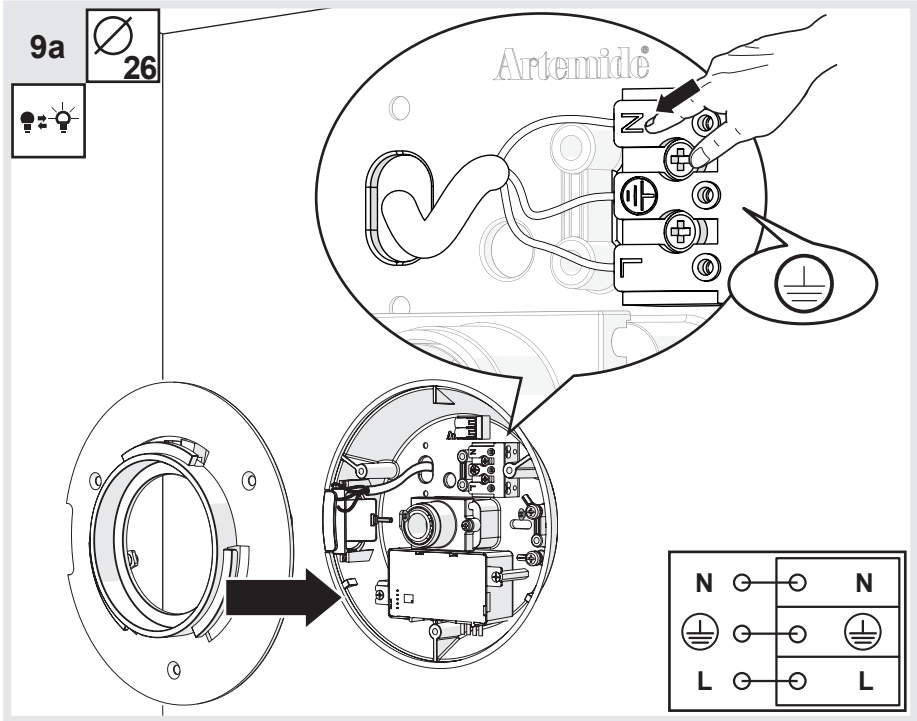
Ø 26



Ø 36

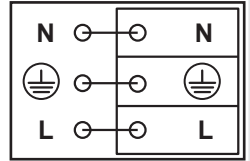
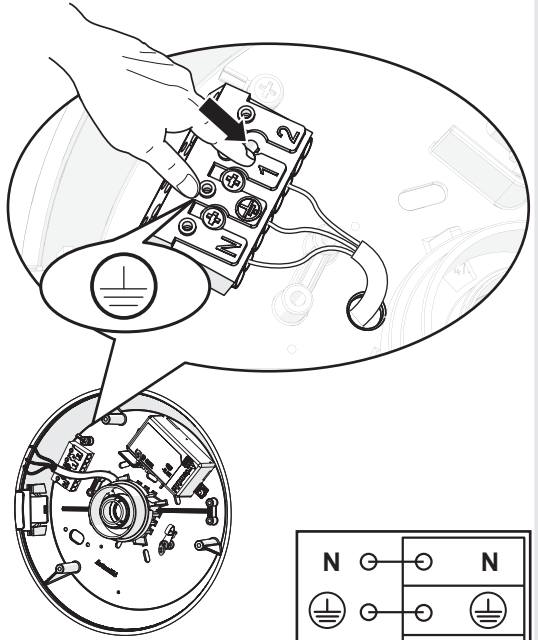
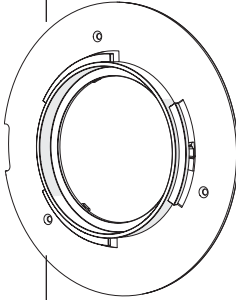






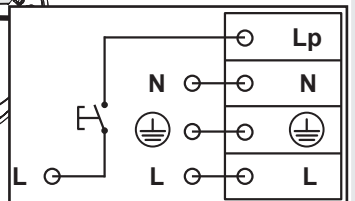
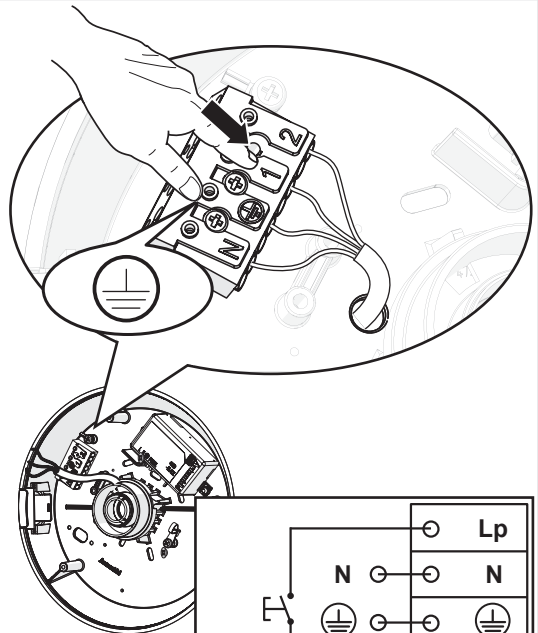
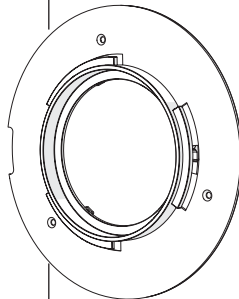
9c

36



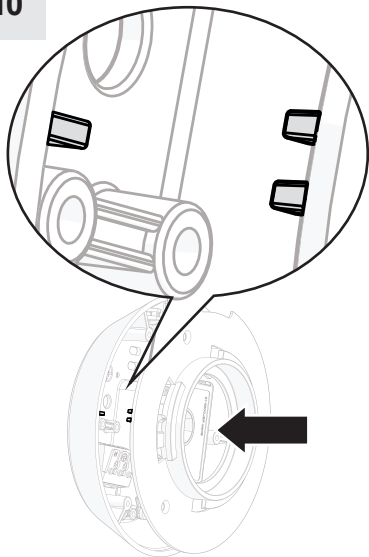
9d

36

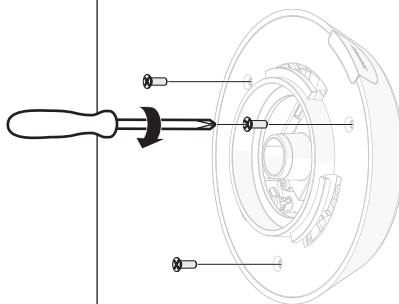




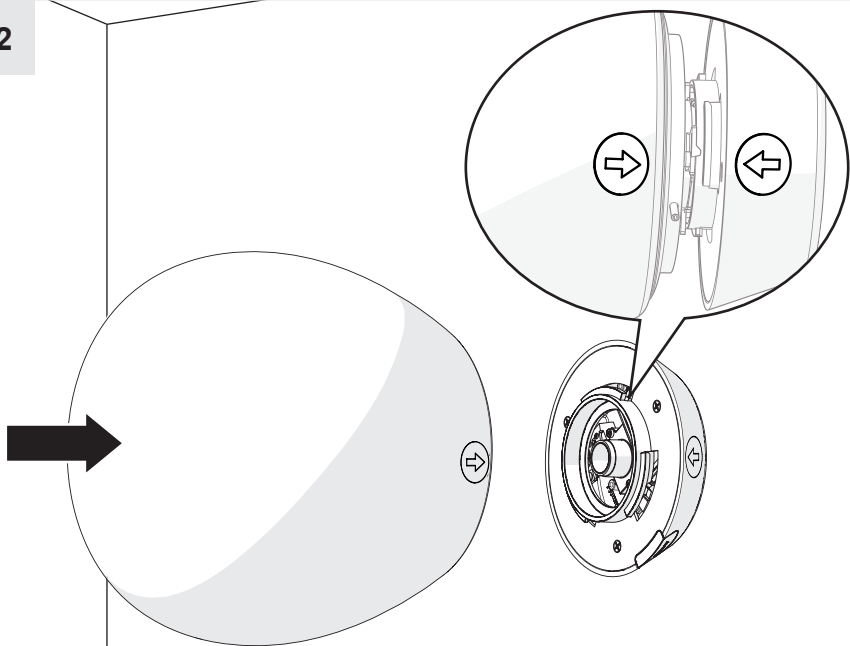
10



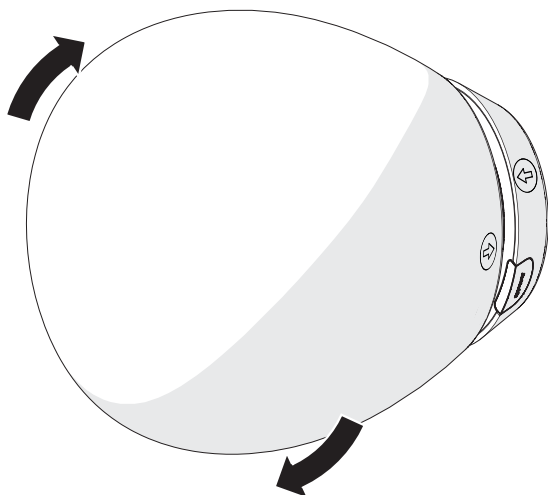
11



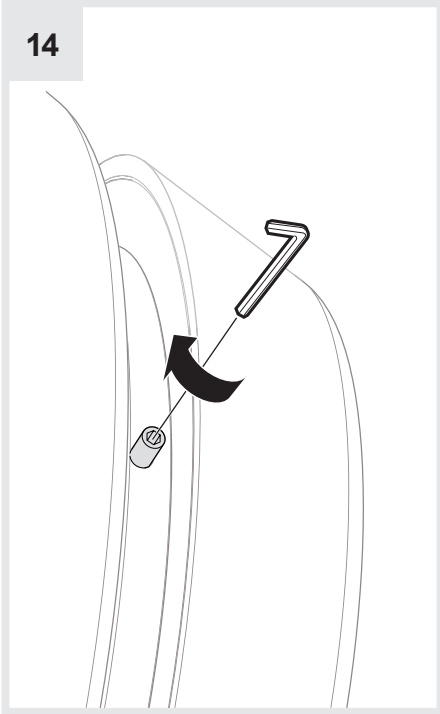
12



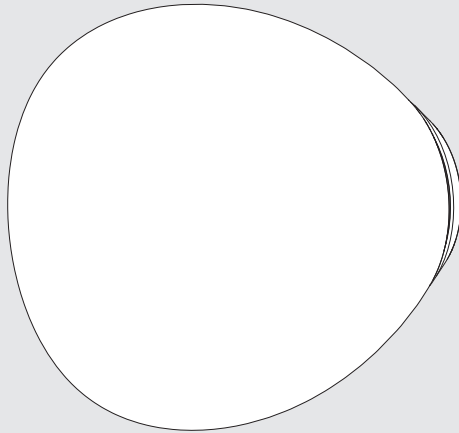
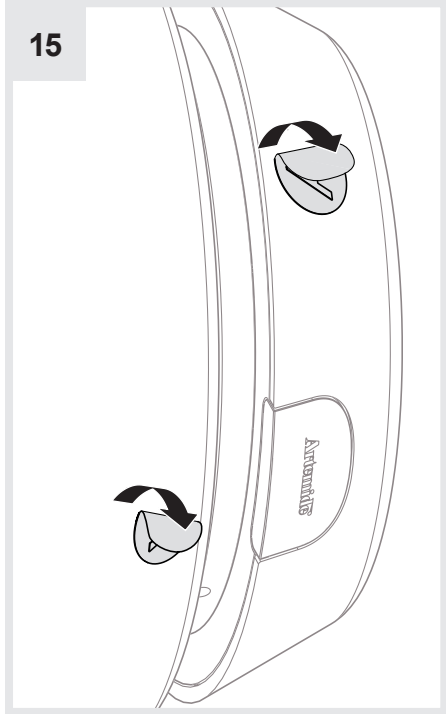
13

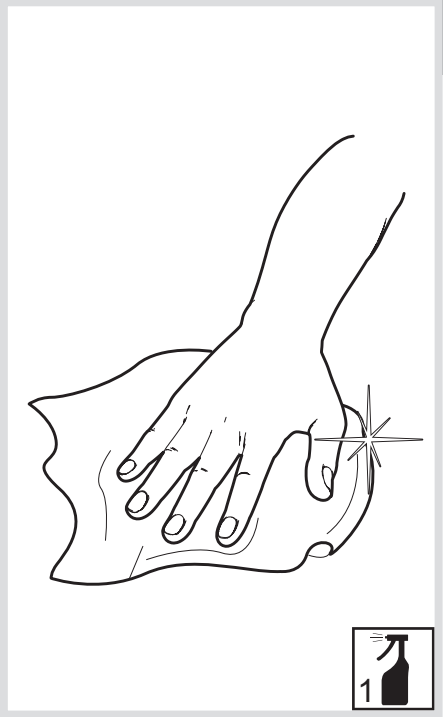
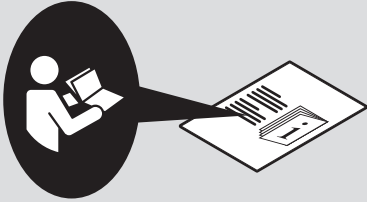


14



15











**Artemide®**



## **Artemide**

via Bergamo, 18  
20010 Pregnana M.se (MI)  
ITALIA

tel. +39 02 935 181  
fax +39 02 935 90 254  
fax +39 02 935 90 496

[www.artemide.com](http://www.artemide.com)

VAT IT00846890150

cod. Y513000188E