



Paulmann

Safety Instructions

1,2,3,4,5,6,7,10,12,15,16,28,33,34



Info

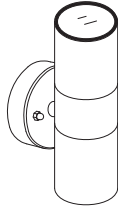
www.paulmann.com

Paulmann Licht GmbH
Quezinger Feld 2
31832 Springe
Germany

www.paulmann.com

Art.-Nr.: 943.31

(+MA 326) PKG 12/19



1x

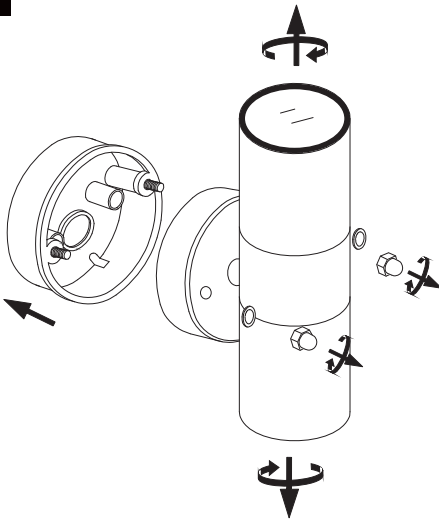
2xMax.10W
only for LED bulbs



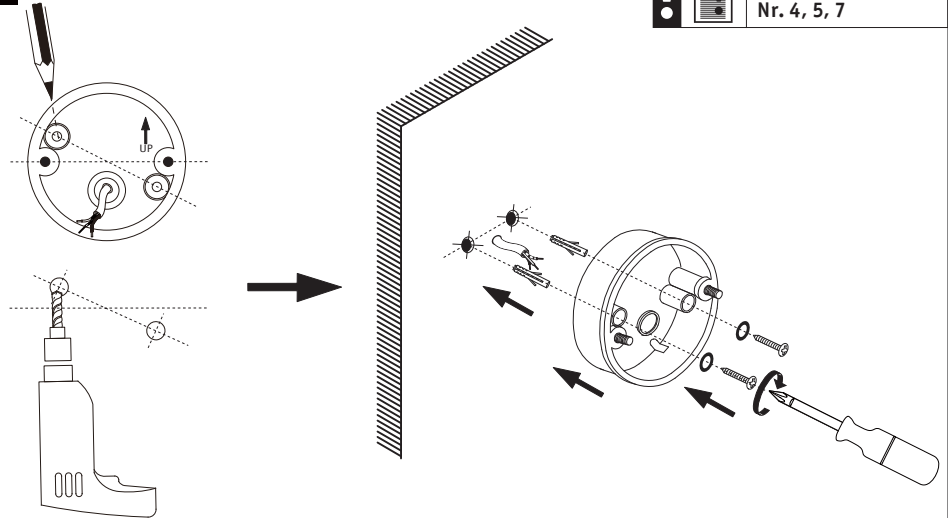
2x



A

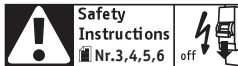
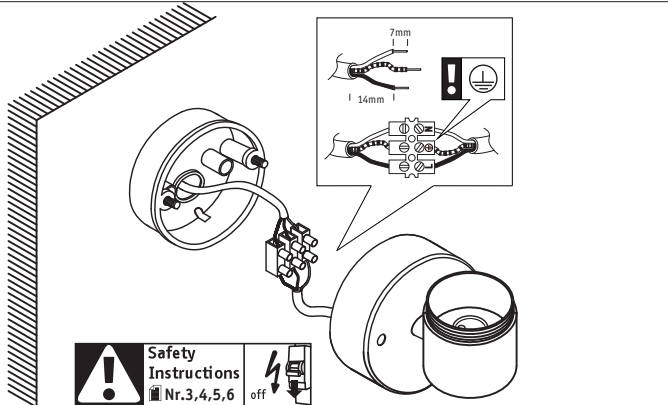


B



Safety Instructions
Nr. 4, 5, 7

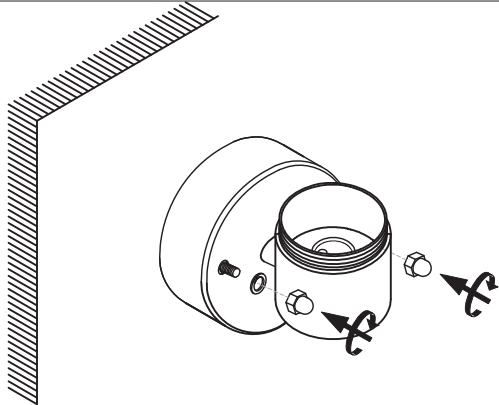
C



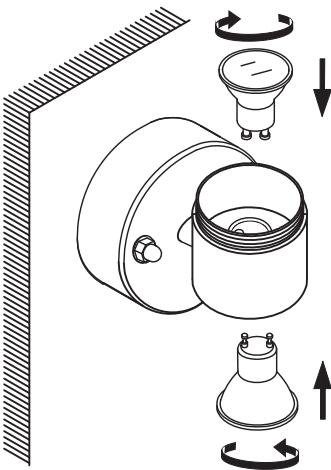
Safety
Instructions
Nr.3,4,5,6

off

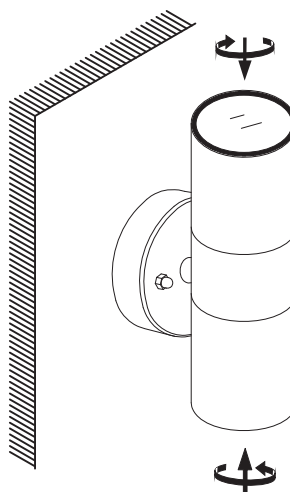
D



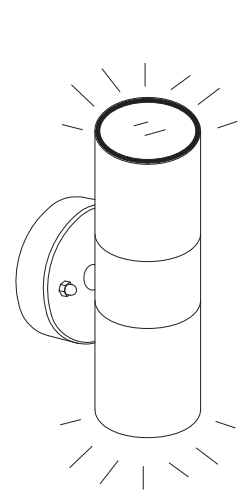
E



F



G



on