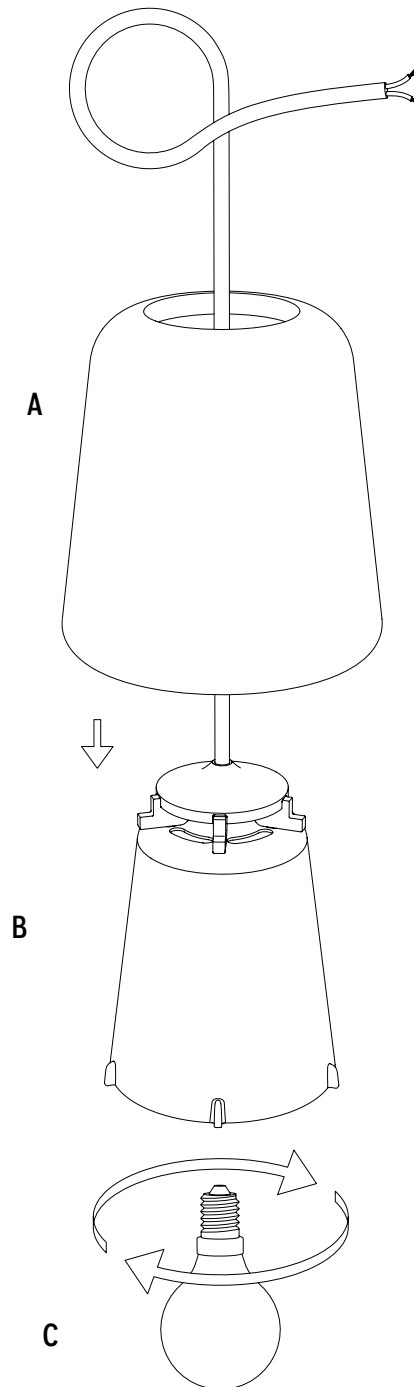




MATERIAL PENDANT

USER INSTRUCTIONS

ASSEMBLING:



CONTENTS:

- A** - Lamp Shade in selected material.
- B** - Inner Fitting in Casted Aluminium and PVC Cord (3400 mm).
- D** - E14 Light Bulb, Max 11W or LED 4W (light bulb is not included).

No tools required.



MATERIAL PENDANT

WE HOPE YOU WILL ENJOY YOUR NEW WORKS PRODUCT

The Material Pendant is carefully handcrafted, and therefore every item is unique. It may occur different expression in the material and surface, with smaller marks and minor deviations.

SAFETY PRECAUTIONS:

Please read the instructions carefully and retain them for future reference. New Works Aps is not responsible for any faults or damages caused by not following the instructions correctly. Do not modify the product in any way.

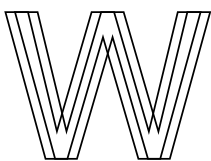
Only use approved light bulb - see following guidance - 220-240V~ 50/60Hz, E14 Max 40W, ESL/CFL Max 11W or LED 4W. Consult a professionally qualified electrician if any doubt. The light bulb gets hot, and the lamp exterior gets hot after prolonged use. The Pendant is only intended for indoor use - Class II, IP20.

Keep the product out of children's reach. Dispose the packaging and do not allow children to play with it.

CLEANING INSTRUCTIONS:

Turn off the electricity before cleaning the lamp. Wipe lampshade with a soft dry or moist cloth. Do not use any abrasive cleaning tools, and never use strong cleaning agents such as household glass cleaner, white spirit, terpentine.

For more information such as product overview, material description and disclaimers - please visit our website at www.newworks.dk. If you have any questions or comments, please don't hesitate to contact us at info@newworks.dk.



NEW WORKS
OBJECTS OF COPENHAGEN

NEW WORKS
VED VESTERPORT 6
1612 COPENHAGEN
DENMARK

NEWWORKS.DK
INFO@NEWWORKS.DK



220-240V~ 50/60Hz, E14 Max. 40W