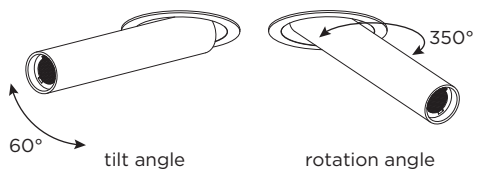
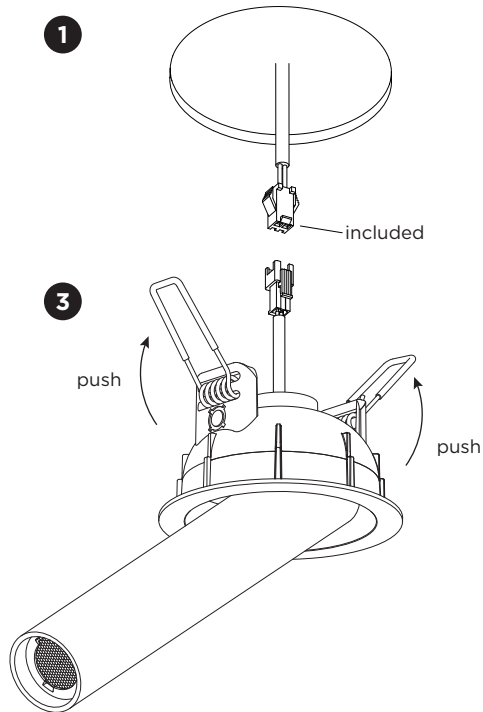


# MATCH SNEAK

INSTALLATION INSTRUCTIONS | DECEMBER 2024



Before connecting the luminaire/LED module to the driver please make sure the driver is not powered but disconnected from the mains. The driver can only be powered when the luminaire/LED module is already connected. Disregarding this instruction might damage or even destroy the luminaire/LED module.

Driver must be powered off before connecting the cables.

220-240VAC — ① — L — driver — N — ② — ⊗

Only to be installed outside arms reach.

## DIMENSIONS

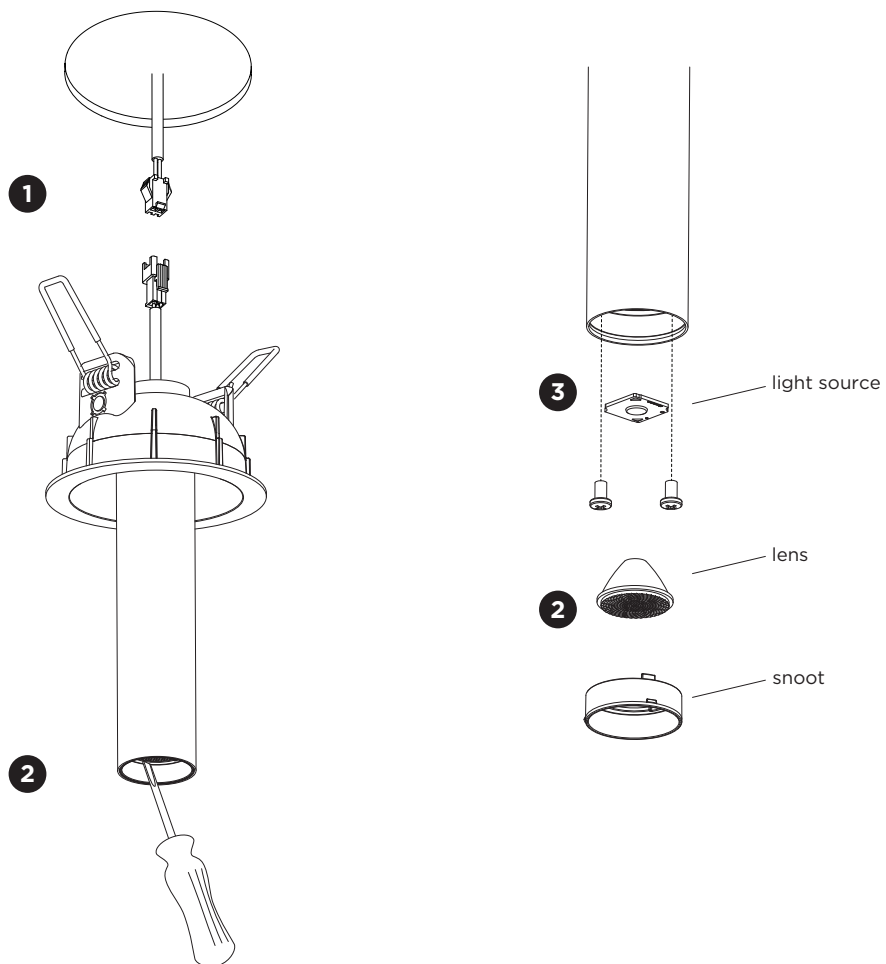


## MOUNTING INSTRUCTION

- 1** Make a hole in the ceiling according to the prescribed dimensions.
- 2 POWER CONNECTION**  
Always use a driver according to the specifications of the LED module.
  - Single connection**
  - Multiple connection**
- 3** Push the springs upwards and insert the fixture in the ceiling hole.

# MATCH SNEAK

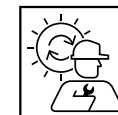
INSTALLATION INSTRUCTIONS | DECEMBER 2024



## DISMOUNTING AND RECYCLING INSTRUCTIONS

### Light source

- 1** Take the luminaire out of the ceiling hole and disconnect the plug.
- 2** Pull out the snoot using any available tools and remove the lens.
- 3** Disconnect the wires and unscrew the light source to remove it.



The light source is replaceable by Wever & Ducré or by a professional with explicit authorisation. For more information please contact your local Wever & Ducré customer service point.



This luminaire contains a light source with the energy class E.