
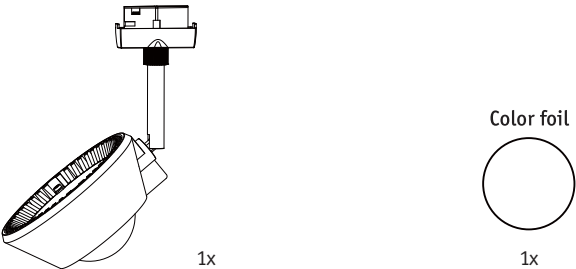


Art.-Nr.: **949.79** 


(+MA326) PH09/18


CE

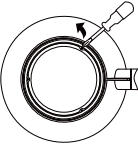


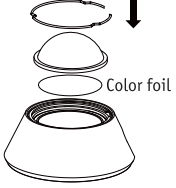
1x Color foil 1x



A

 **Safety Instructions**
Nr. 3, 4, 5, 6


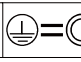
 off

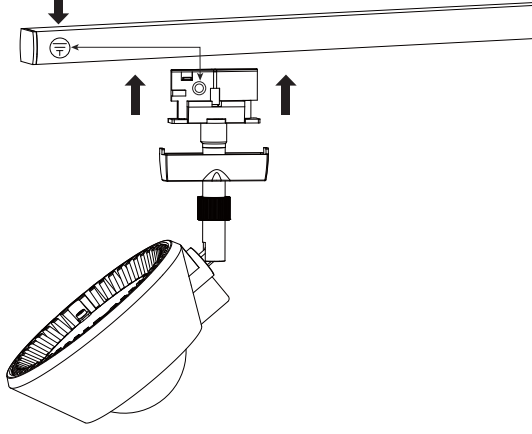
1. 

2.  Color foil


 

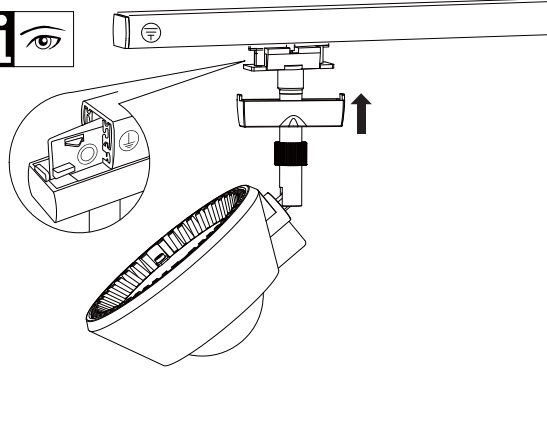
B

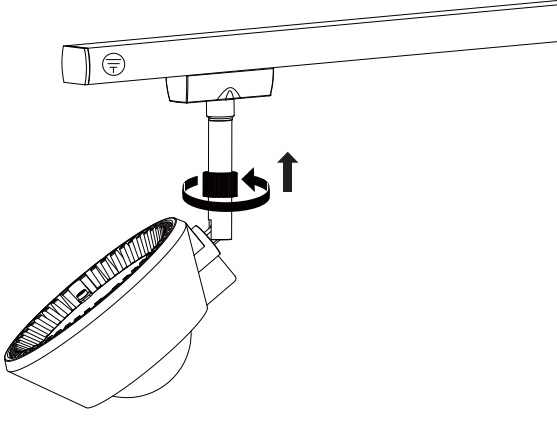



C

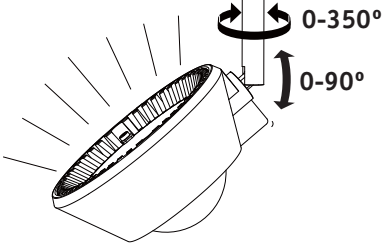




D



 on



0-350°
0-90°