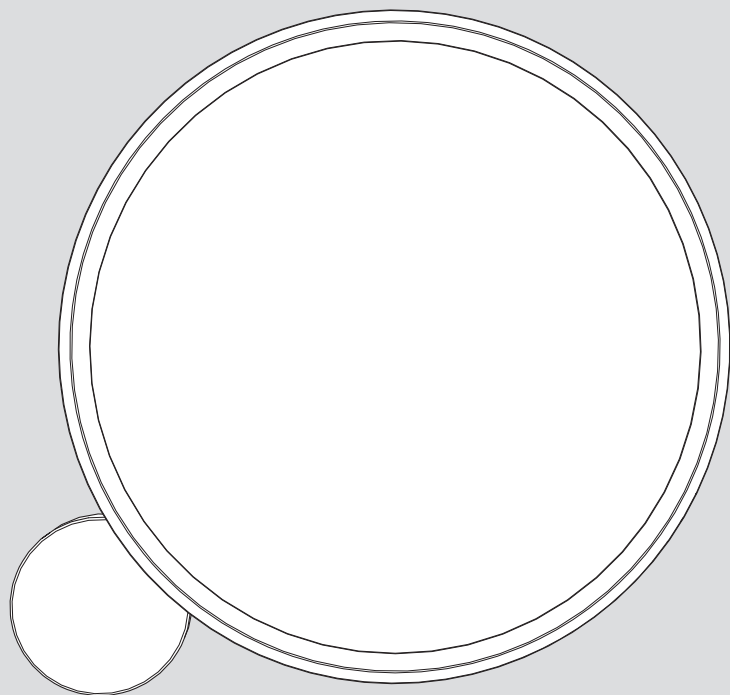


# Artemide®

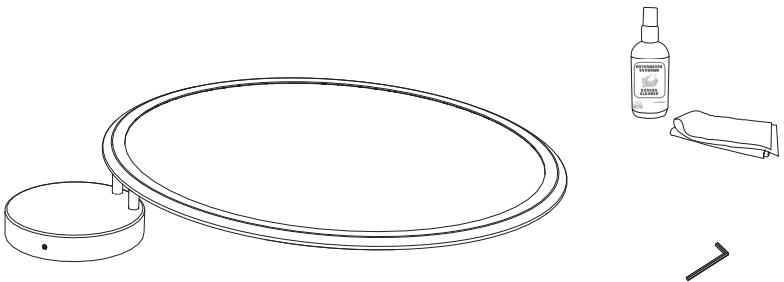
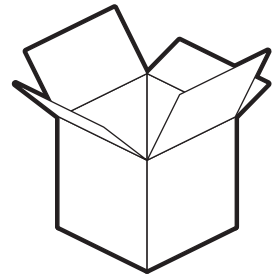
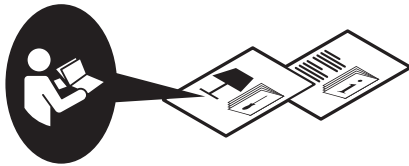
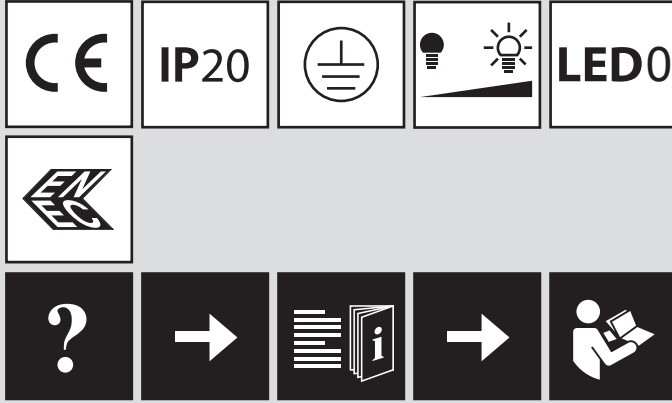
## Discovery

design  
E. Gismondi

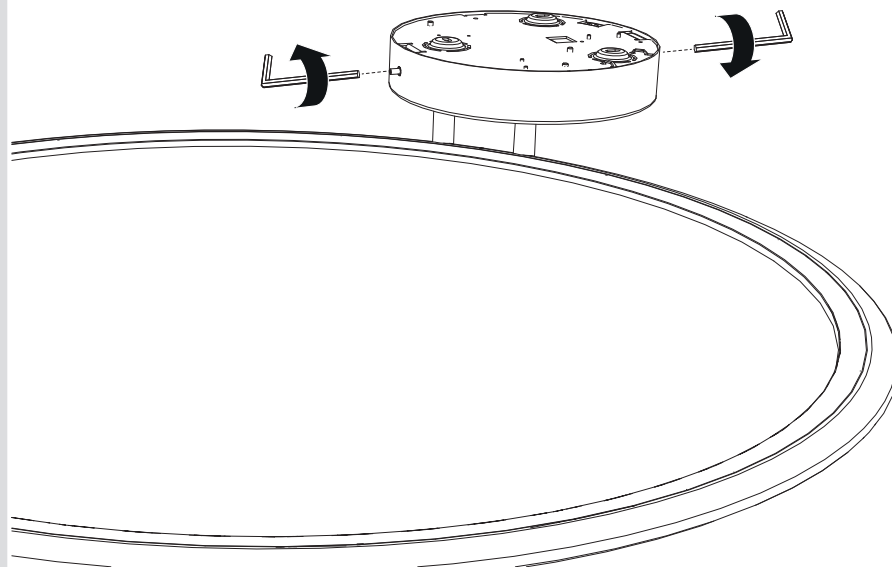




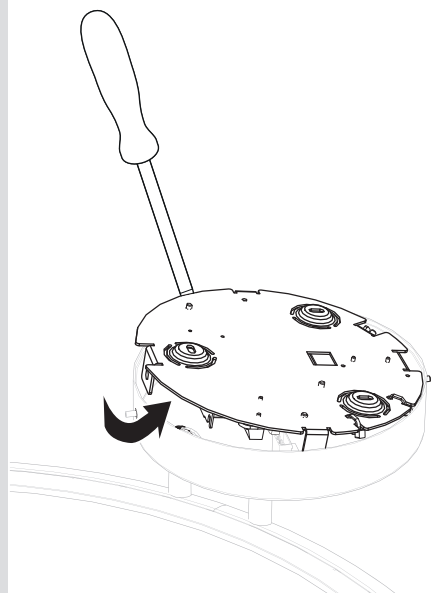
i



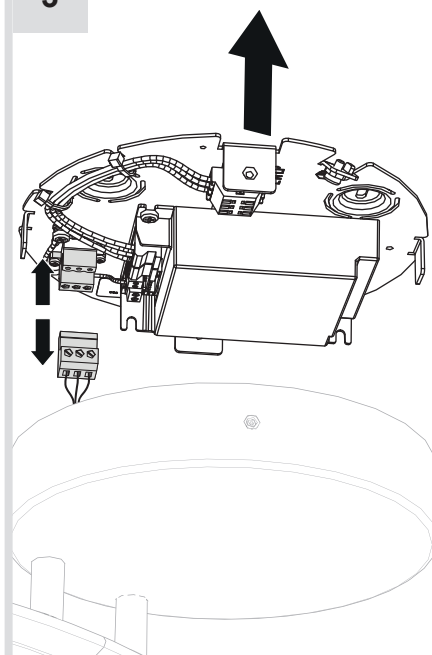
1



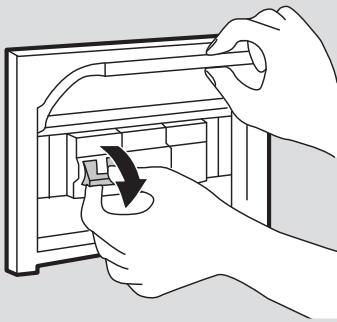
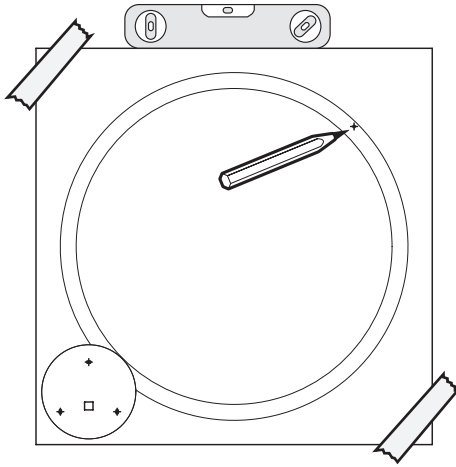
2



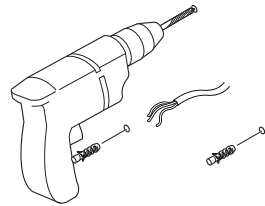
3



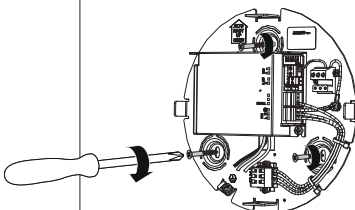
4



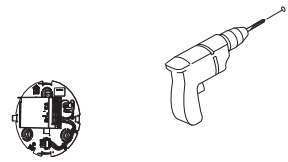
5

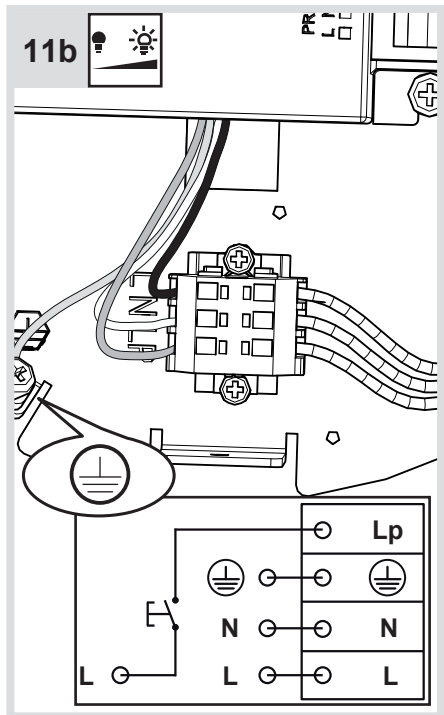
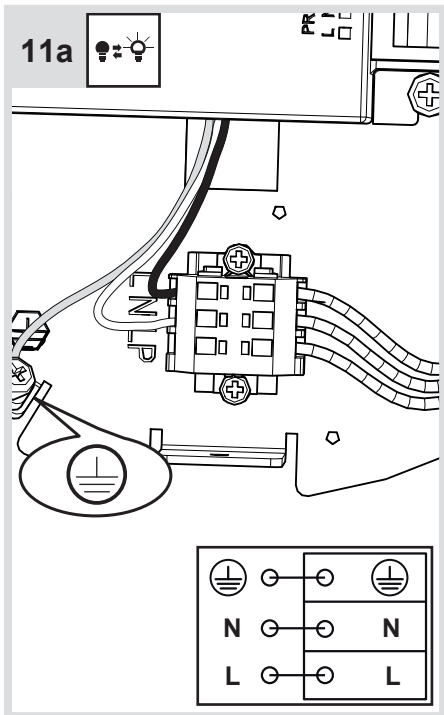
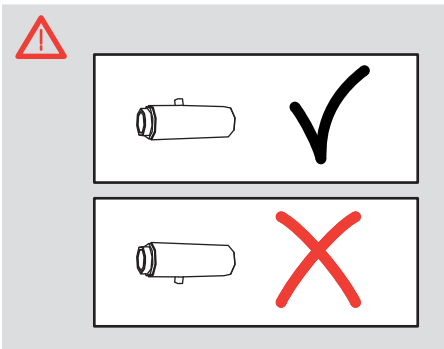
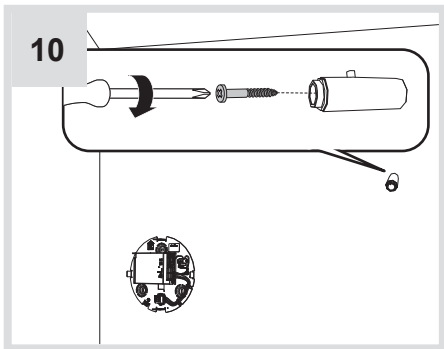
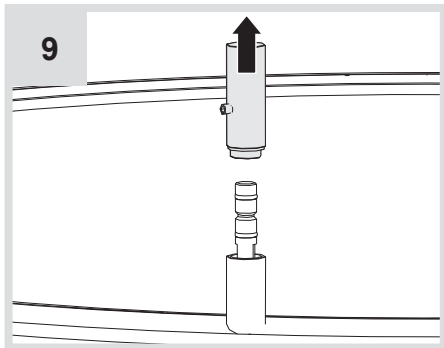
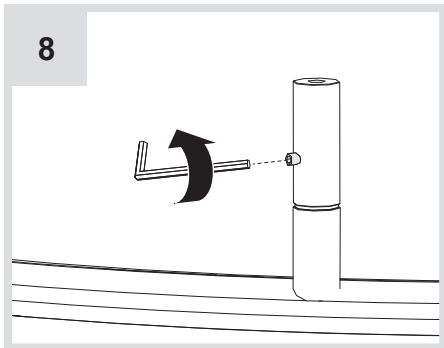


6

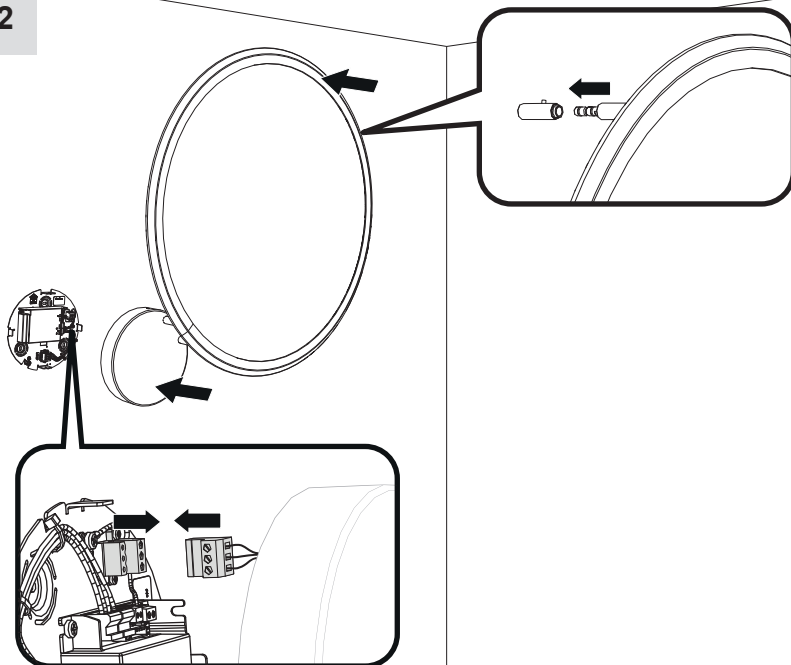


7

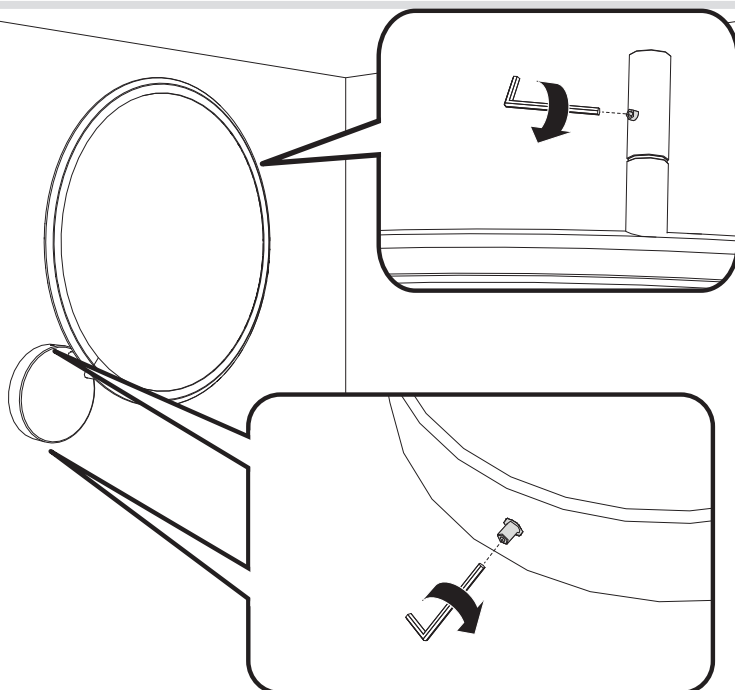




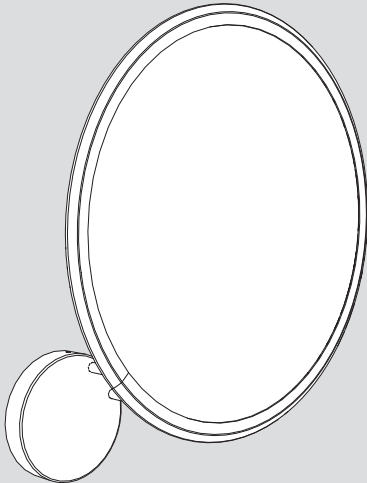
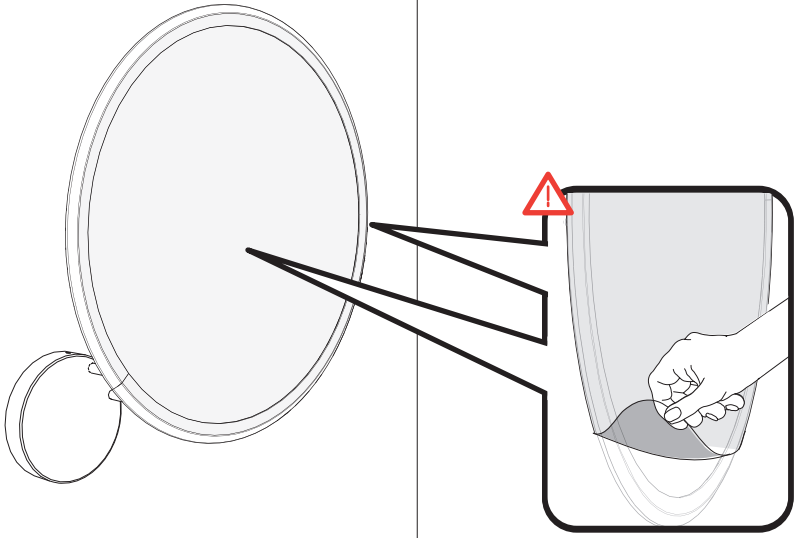
12



13

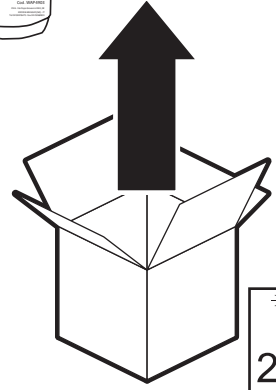


14

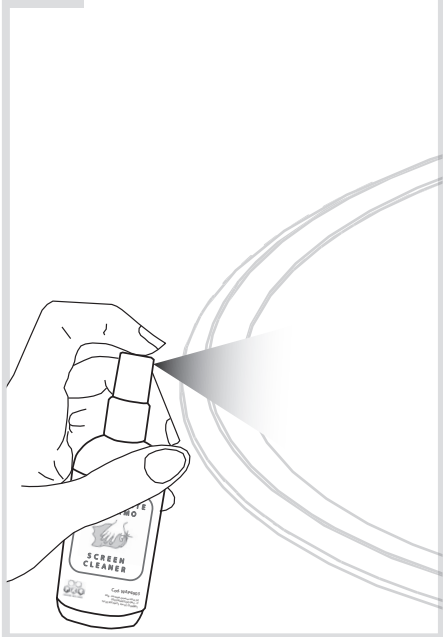




1



2



3



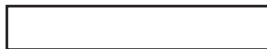








**Artemide®**



**Artemide**

via Bergamo, 18  
20010 Pregnana M.se (MI)  
ITALIA

tel. +39 02 935 181  
fax +39 02 935 90 254  
fax +39 02 935 90 496

[www.artemide.com](http://www.artemide.com)

VAT IT00846890150

cod. Y513000749